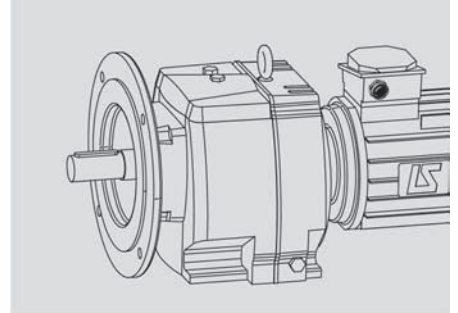
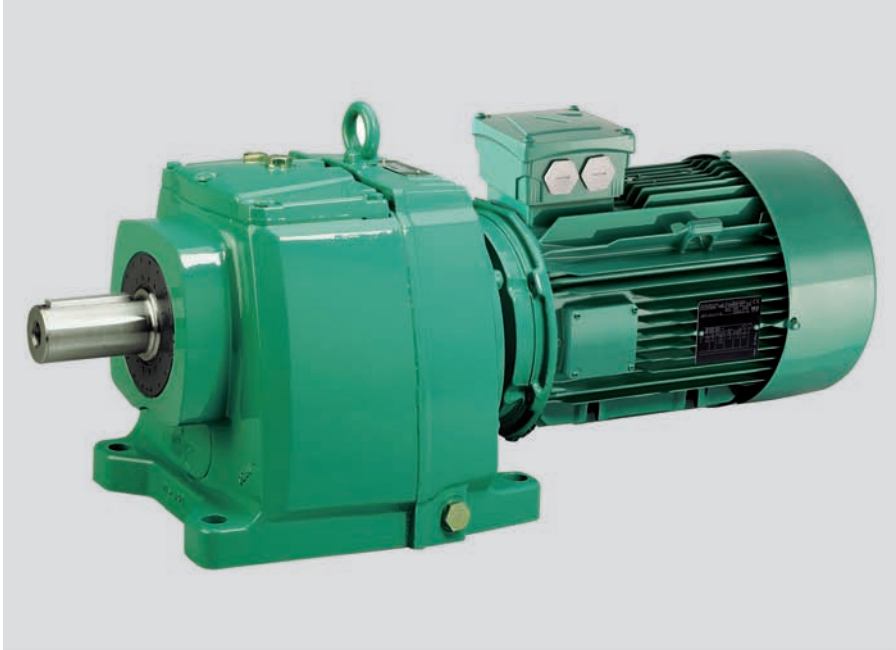
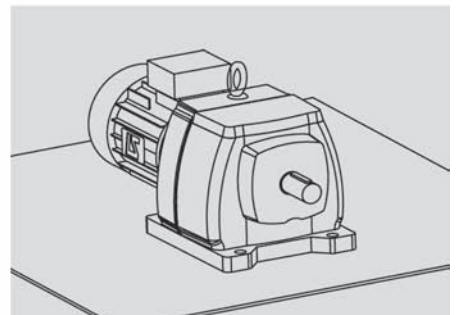
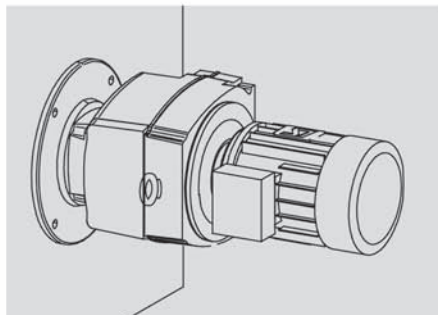
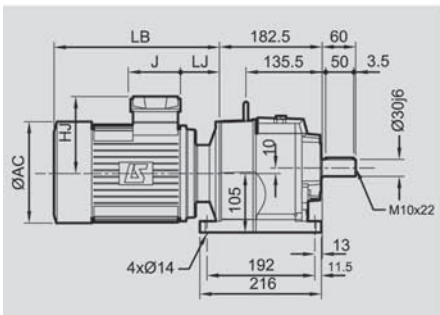




EMERSON[™]
Industrial Automation



| Min-1 | | 1.1 | 1.5 | 2.2 | 3 | 4 | 5.5 | 7.5 | 10 | 15 | 20 | 30 | 40 | 55 | 75 | 100 | 150 | 200 |
|-------|------|------|------|------|------|------|------|------|------|----|----|----|----|----|----|-----|-----|-----|
| 0.9 | 244 | 0.07 | 4.43 | 9.70 | 2.06 | 2.18 | 1.85 | 1.50 | 0.90 | | | | | | | | | |
| 0.7 | 198 | 0.20 | 4.57 | 4.14 | 3.30 | 2.45 | 2.05 | 1.47 | 0.90 | | | | | | | | | |
| 0.5 | 175 | 0.40 | 6.17 | 5.14 | 3.30 | 2.65 | 2.05 | 1.47 | 0.90 | | | | | | | | | |
| 0.3 | 150 | | | | | | | | | | | | | | | | | |
| 11.2 | 120 | | | | | | | | | | | | | | | | | |
| 13.1 | 111 | | | | | | | | | | | | | | | | | |
| 15.1 | 102 | | | | | | | | | | | | | | | | | |
| 16.1 | 89.9 | | | | | | | | | | | | | | | | | |
| 18.2 | 79.8 | | | | | | | | | | | | | | | | | |
| 21.2 | 69.3 | | | | | | | | | | | | | | | | | |
| 23.2 | 61.2 | | | | | | | | | | | | | | | | | |
| 26.2 | 55.4 | | | | | | | | | | | | | | | | | |
| 29.2 | 49.8 | | | | | | | | | | | | | | | | | |
| 33.2 | 43.2 | | | | | | | | | | | | | | | | | |
| 37.2 | 36.7 | | | | | | | | | | | | | | | | | |
| 40.2 | 30.7 | | | | | | | | | | | | | | | | | |
| 45.2 | 32 | | | | | | | | | | | | | | | | | |
| 51.2 | 26.4 | | | | | | | | | | | | | | | | | |
| 67.2 | 25.2 | | | | | | | | | | | | | | | | | |
| 69.2 | 22.8 | | | | | | | | | | | | | | | | | |
| 72.1 | 20.1 | | | | | | | | | | | | | | | | | |
| 81.5 | 17.8 | | | | | | | | | | | | | | | | | |
| 92.4 | 15.7 | | | | | | | | | | | | | | | | | |
| 106 | 13 | | | | | | | | | | | | | | | | | |
| 113 | 12.8 | | | | | | | | | | | | | | | | | |
| 119 | 12.2 | | | | | | | | | | | | | | | | | |
| 132 | 11 | | | | | | | | | | | | | | | | | |
| 150 | 9.64 | | | | | | | | | | | | | | | | | |
| 166 | 8.62 | | | | | | | | | | | | | | | | | |



Drive systems
COMPABLOC 3000 / LS, LSES

Selection guide

4787 en - 2012.09 / b

Electromechanical products

Compabloc 3000

Contents

| | |
|---|-----------------|
| General, Construction | 3 |
| Mounting - Operating positions | 4 to 7 |
| General information - Ranges | 8 |
| Adaptation possibilities, Designation / Coding | 9 |
| Selection | 10 to 28 |
| Method | 10 |
| List of applications | 11 |
| Conditions | 12 |
| Cb 3031, AGMA class I, II, III | 13 |
| Cb 3131, AGMA class I, II, III | 14 |
| Cb 3231, AGMA class I, II, III | 15 |
| Cb 3331, AGMA class I, II, III | 16 |
| Cb 3431, AGMA class I, II, III | 17 |
| Cb 3531, AGMA class I, II, III | 18 |
| Multi-stage Cb 15, AGMA class I, II, III | 19 |
| Multi-stage Cb 30, AGMA class I, II, III | 20 |
| Cb 3133, AGMA class I, II, III | 21 |
| Cb 3233, AGMA class I, II, III | 22 |
| Cb 3333, AGMA class I, II, III | 23 |
| Cb 3433, AGMA class I, II, III | 24 |
| Cb 3533, AGMA class I, II, III | 25 |
| Cb 3633, AGMA class I, II, III | 26 |
| Cb 3733, AGMA class I, II, III | 27 |
| Cb 3833, AGMA class I, II, III | 28 |
| Dimensions | 29 to 64 |
| AP input shaft dimensions | 29 |
| Cb 3031, MI integral mounting | 30-31 |
| Cb 3131, MI integral mounting | 32-33 |
| Cb 3231, MI integral mounting | 34-35 |
| Cb 3331, MI integral mounting | 36-37 |
| Cb 3431, MI integral mounting | 38-39 |
| Cb 3531, MI integral mounting | 40-41 |
| Cb 15, MI integral mounting | 42-43 |
| Cb 3032, MI integral mounting | 44-45 |
| Cb 3033, MI integral mounting | 46-47 |
| Cb 3133, MI integral mounting | 48-49 |
| Cb 3233, MI integral mounting | 50-51 |
| Cb 3333, MI integral mounting | 52-53 |
| Cb 3433, MI integral mounting | 54-55 |
| Cb 3533, MI integral mounting | 56-57 |
| Cb 3633, MI integral mounting | 58-59 |
| Cb 3733, MI integral mounting | 60-61 |
| Cb 3833, MI integral mounting | 62-63 |
| MU universal mounting dimensions | 64 |

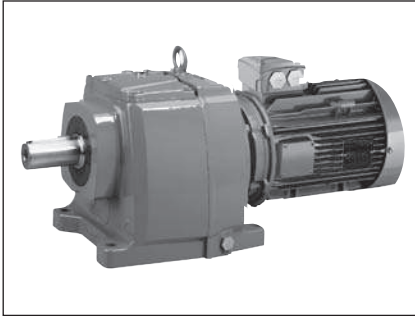
Copyright 2011: MOTEURS LEROY-SOMER

Leroy-Somer reserves the right to modify the characteristics of its products at any time in order to incorporate the latest technological developments.
The information contained in this document may therefore be changed without prior notice.

Electromechanical products

Compabloc 3000

General



Compabloc geared motors with parallel gears are used to adapt the speed of the electric motor to that of the driven machine. Their size is therefore determined by the motor power (P) expressed in kilowatts (kW) and the output rotation speed of the gearbox (n_S) in revolutions per minute (min^{-1}). The main characteristic of speed reducers is the rated output torque (M_{nS}) expressed in Newton-metres (N.m):

$$M_{nS} = \frac{P \times 9550}{n_S} \times \text{efficiency}$$

A range of ten sizes: 15, 30, 31, 32, 33, 34, 35, 36, 37, 38.
 Rated output torque: from 10 N.m to 14,500 N.m.
 Power ratings: from 0.06 to 110 kW.
 Reduction ratios: from 1.16 to 252.
 High efficiency: 95% to 98%.
 Reversible.
 Quiet operation.

Construction

Description of Compabloc gearboxes (Cb)

| Component | Materials | Remarks |
|----------------|--|--|
| Housing | Aluminium (15, 30) ENGJL-200 cast iron (31 to 37) | <ul style="list-style-type: none"> - use of cast aluminium - use of ENGJL-200 cast iron (flake graphite: 200 MPa tensile strength) single component perlite to ensure unit is fully sealed - monobloc ribbed with internal reinforcements to absorb vibrations and noise, and increase its rigidity - foot mounted S, BT or with flanges BS, BD or BR. They are compact and meet industrial requirements |
| Gears | Steel Ni Cr Mo | <ul style="list-style-type: none"> - cut by the gear hob, they are heat treated and then undergo final machining. The quality and precision of the gear cutting allow maximum torque with minimum noise level |
| Lipseals | Nitrile | <ul style="list-style-type: none"> - sealing ring on motor side - sealed gasket with antidust lipseal in accordance with DIN 3760 form AS - gasket under the access cover (30 to 37) |
| Shaft | Steel | <ul style="list-style-type: none"> - grinding of sealing surfaces - key in accordance with ISO R773 - tolerance of diameters in accordance with NFE 22-051 and ISO R 775 - tapped holes at the shaft end for fixing connecting devices in accordance with DIN 332 |
| Lubrication | Oil | <ul style="list-style-type: none"> - in accordance with ISO 6743/6 - delivered with the quantity of oil corresponding to the operating position, it is fitted with drain, level and breather plugs (except Cb 15, 30) |
| Mounting | | AP: gearbox with input shaft MI: geared motor with built-in motor MU: geared motor with IEC motor, manufactured with universal mounting |
| Standard motor | | LS, LSES: multi-voltage 230/400 VY - 400 VΔ three-phase and 230 V single-phase - fan cover made of composite material (80 to 100) or pressed steel (≥ 112), on request fitted with a drip cover for operation in vertical position (shaft facing down) - LS: metal terminal box fitted with cable gland - LSES: terminal box made of composite material (80 to 112) or aluminium alloy (≥ 132) equipped with threaded plugs (without cable glands) - IP 55 standard protection |
| Brake motors | | FMD: failsafe brake induction motor, from 0.06 to 0.25 kW, IP 55 protection (LS 56 to 71) FCR: failsafe brake induction motor, from 0.25 to 15 kW (LS), from 0.75 to 11 kW (LSES), IP 55 protection FCPL: failsafe brake induction motor, from 11 to 75 kW, IP 44 protection (LS, LSES 160 and 225) |
| Finish | Paint | Shade: RAL 6000 (green), system I (1 polyurethane vinyl layer of 25/30 μm) |

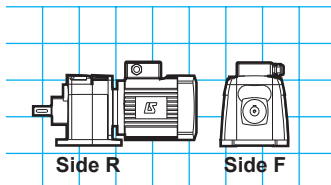
Electromechanical products

Compabloc 3000

Mounting - Operating positions

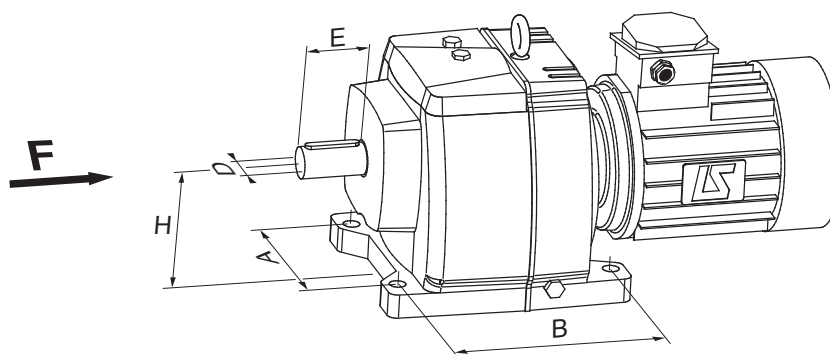
Standard position: gearbox view from side F, motor behind, side D on the floor.


Definition of mounting form: S




S

Foot mounted housing



| 1-stage gearbox | | | | | | |
|-----------------|------|----|-----|-----|-----|--|
| Compabloc | ØD | E | A | B | H |  kg |
| Cb 3531 | 45k6 | 90 | 260 | 160 | 160 | 41 |
| Cb 3431 | 40k6 | 80 | 216 | 125 | 132 | 25 |
| Cb 3331 | 35k6 | 70 | 190 | 100 | 112 | 15.5 |
| Cb 3231 | 25j6 | 50 | 140 | 80 | 90 | 8.3 |
| Cb 3131 | 20j6 | 40 | 120 | 75 | 80 | 6.9 |
| Cb 3031 | 16j6 | 40 | 125 | 70 | 75 | 2.3 |

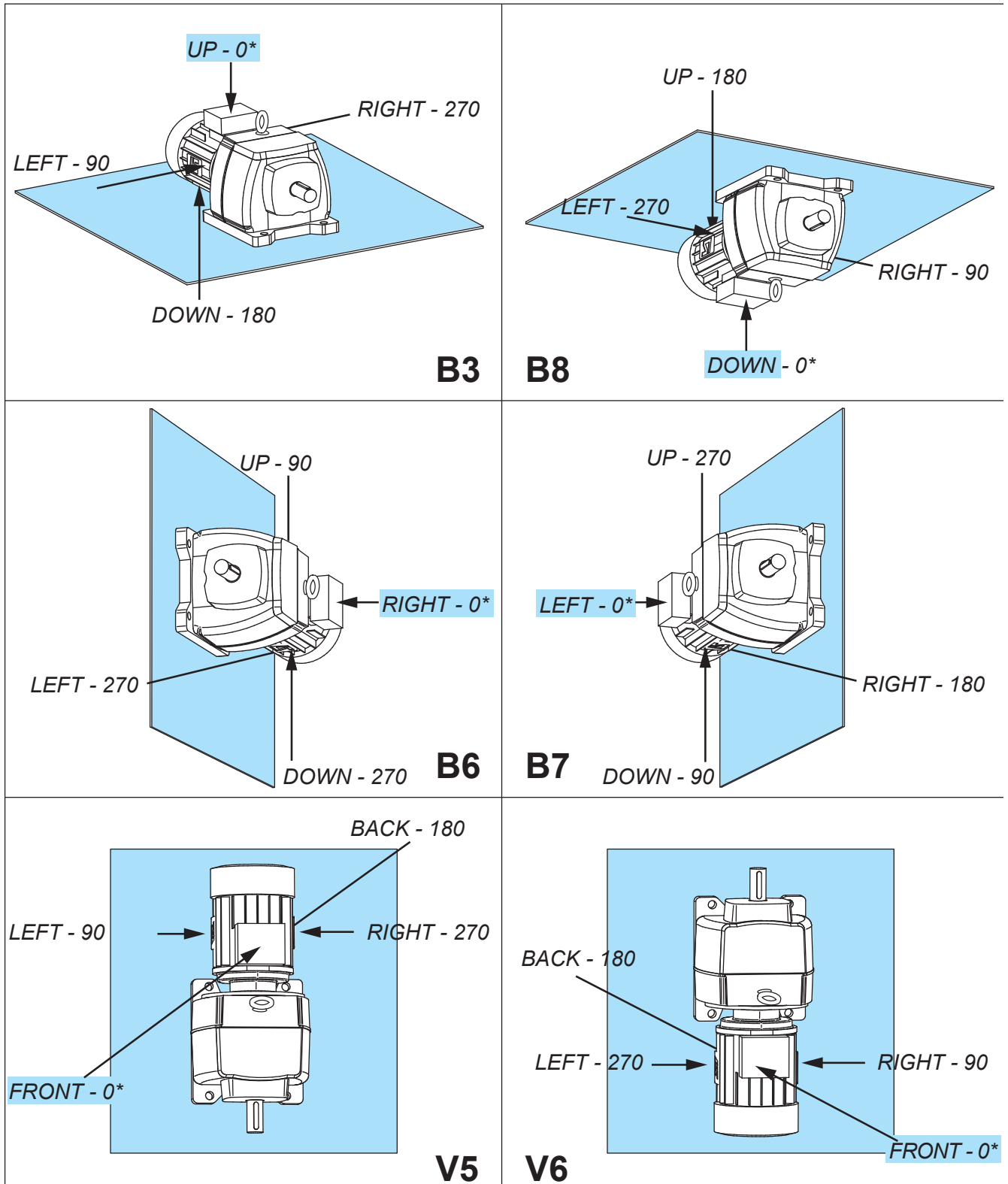
| Multi-stage gearbox | | | | | | |
|---------------------|-------|-----|-----|-----|-----|--|
| Compabloc | ØD | E | A | B | H |  kg |
| Cb 3833 | 110m6 | 210 | 510 | 480 | 355 | 290 |
| Cb 3733 | 90m6 | 170 | 420 | 390 | 315 | 192 |
| Cb 3633 | 70m6 | 140 | 355 | 355 | 250 | 162 |
| Cb 3533 | 60m6 | 120 | 280 | 280 | 225 | 90 |
| Cb 3433 | 50k6 | 100 | 230 | 235 | 180 | 50 |
| Cb 3333 | 40k6 | 80 | 170 | 240 | 140 | 30 |
| Cb 3233 | 30j6 | 60 | 135 | 192 | 115 | 18.5 |
| Cb 3133 | 25j6 | 50 | 110 | 165 | 90 | 13 |
| Cb 3033 | 20j6 | 40 | 125 | 125 | 75 | 4.9 |
| Cb 3032 | 20j6 | 40 | 125 | 105 | 75 | 4.8 |
| Cb 15-- | 16j6 | 40 | 100 | 105 | 90 | 3.2 |

Electromechanical products Compabloc 3000

S operating position

The absolute orientation of the connection (TB: Up, Down, Right, Left, Front, Back) is related to the chosen operating position.

The relative orientation (0-90-180-270, in the trigonometric direction), a consequence of the absolute position, is related to the base of the gearbox for an observer, facing the gearbox.



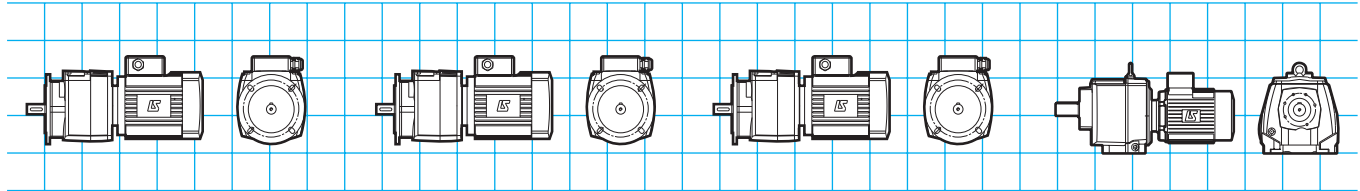
*: Std terminal box

Electromechanical products Compabloc 3000

Mounting - Operating positions

Standard position: gearbox view from side F, motor behind, side D on the floor.

Definition of mounting form: BS, BDn..., BR, BT

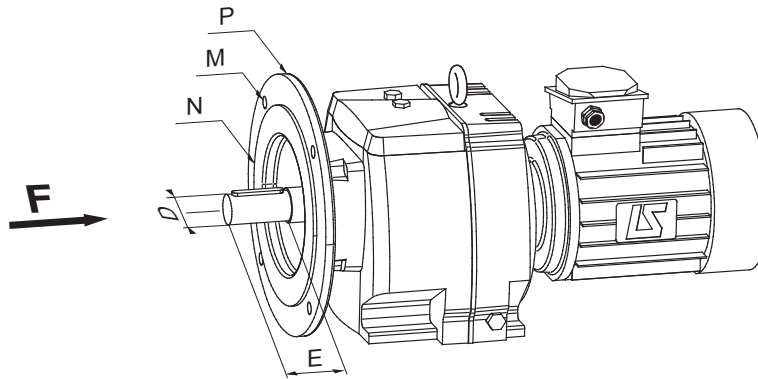


BS
Flange housing
with plain holes

BDn...
Flange housing (different
diameter) with plain holes

BR
Reinforced flange
housing

BT
Housing with side F
with tapped holes



| Compabloc | 1-stage gearbox | | | | | | | | | | | | | | | | | |
|----------------|-----------------|----|-----|-----|-----|-----|-----|-----|-----|-----|-----|-----|-----|-----|-----|-----|-----|-----|
| | BS | | | | | | BD1 | | | | BD2 | | | | BD3 | | | |
| | ØD | E | ØM | ØN | ØP | kg | ØM | ØN | ØP | kg | ØM | ØN | ØP | kg | ØM | ØN | ØP | kg |
| Cb 3531 | 45k6 | 90 | 300 | 250 | 350 | 48 | 265 | 230 | 300 | 46 | - | - | - | - | - | - | - | - |
| Cb 3431 | 40k6 | 80 | 265 | 230 | 300 | 31 | 215 | 180 | 250 | 30 | - | - | - | - | - | - | - | - |
| Cb 3331 | 35k6 | 70 | 215 | 180 | 250 | 19 | 165 | 130 | 200 | 18 | - | - | - | - | - | - | - | - |
| Cb 3231 | 25j6 | 50 | 165 | 130 | 200 | 10 | 130 | 110 | 160 | 9.5 | - | - | - | - | - | - | - | - |
| Cb 3131 | 20j6 | 40 | 130 | 110 | 160 | 8.1 | 115 | 95 | 140 | 7.9 | - | - | - | - | - | - | - | - |
| Cb 3031 | 16j6 | 40 | 115 | 95 | 140 | 2.5 | 100 | 80 | 120 | 2.5 | 130 | 110 | 160 | 2.5 | 165 | 130 | 200 | 2.4 |

| Compabloc | Multi-stage gearbox | | | | | | | | | | | | | | | | | |
|----------------|---------------------|-----|-----|-----|-----|------|-----|-----|-----|------|-----|-----|-----|------|-----|-----|-----|------|
| | BS | | | | | | BD1 | | | | BD2 | | | | BD3 | | | |
| | ØD | E | ØM | ØN | ØP | kg | ØM | ØN | ØP | kg | ØM | ØN | ØP | kg | ØM | ØN | ØP | kg |
| Cb 3833 | 110m6 | 210 | 600 | 550 | 660 | 352 | 500 | 450 | 550 | 328 | - | - | - | - | - | - | - | - |
| Cb 3733 | 90m6 | 170 | 500 | 450 | 550 | 228 | 400 | 350 | 450 | 222 | - | - | - | - | - | - | - | - |
| Cb 3633 | 70m6 | 140 | 500 | 450 | 550 | 196 | 400 | 350 | 450 | 190 | - | - | - | - | - | - | - | - |
| Cb 3533 | 60m6 | 120 | 350 | 300 | 400 | 97 | 300 | 250 | 350 | 96 | 265 | 230 | 300 | 90 | - | - | - | - |
| Cb 3433 | 50k6 | 100 | 300 | 250 | 350 | 56 | 265 | 230 | 300 | 55 | 215 | 180 | 250 | 54 | - | - | - | - |
| Cb 3333 | 40k6 | 80 | 265 | 230 | 300 | 34 | 215 | 180 | 250 | 33 | 165 | 130 | 200 | 32.5 | - | - | - | - |
| Cb 3233 | 30j6 | 60 | 215 | 180 | 250 | 18.8 | 165 | 130 | 200 | 18.7 | 130 | 110 | 160 | 18.6 | - | - | - | - |
| Cb 3133 | 25j6 | 50 | 165 | 130 | 200 | 13.4 | 130 | 110 | 160 | 13.3 | 115 | 95 | 140 | 13.2 | 100 | 80 | 120 | 13.1 |
| Cb 3033 | 20j6 | 40 | 115 | 95 | 140 | 4.9 | 100 | 80 | 120 | 4.5 | 130 | 110 | 160 | 4.9 | 165 | 130 | 200 | 5 |
| Cb 3032 | 20j6 | 40 | 115 | 95 | 140 | 4.9 | 100 | 80 | 120 | 4.5 | 130 | 110 | 160 | 4.9 | 165 | 130 | 200 | 5 |
| Cb 15-- | 16j6 | 40 | 100 | 80 | 120 | 2.9 | 85 | 70 | 105 | 2.8 | 115 | 95 | 140 | 3 | - | - | - | - |

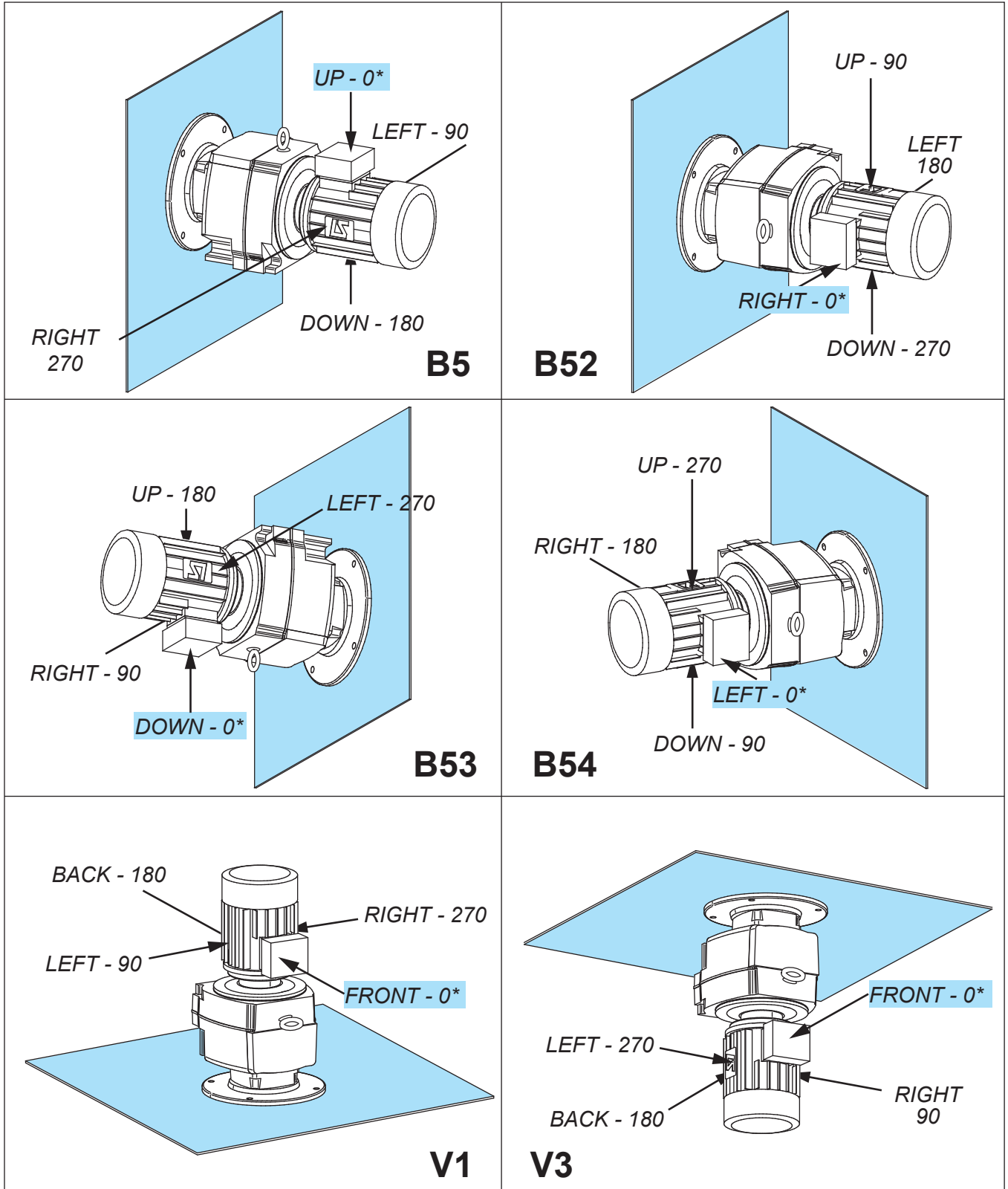
Electromechanical products

Compabloc 3000

Operating positions BS, BD, BR, BT

The absolute orientation of the connection (TB: Up, Down, Right, Left, Front, Back) is related to the chosen operating position.

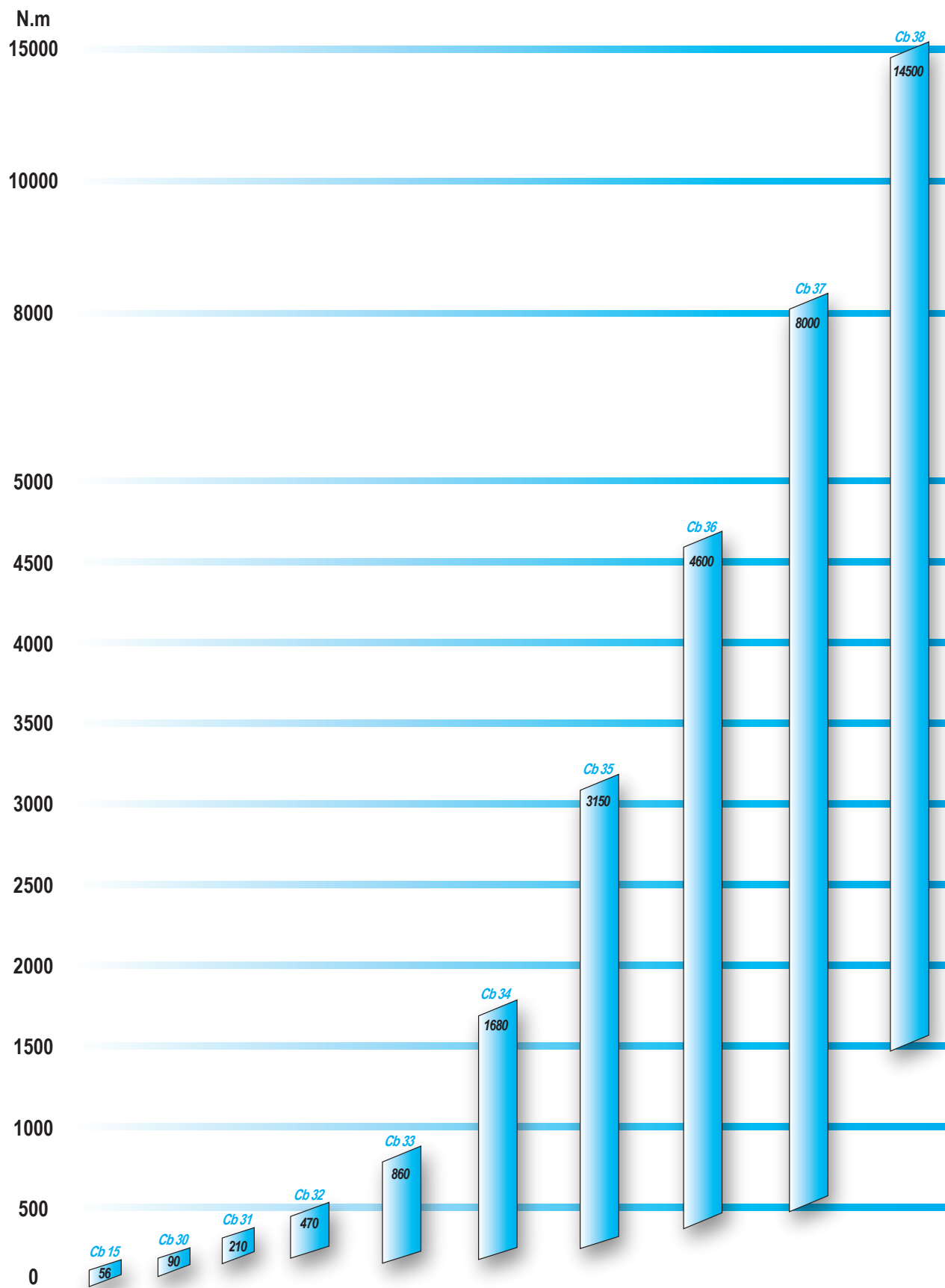
The relative orientation (0-90-180-270, in the trigonometric direction), a consequence of the absolute position, is related to the base of the gearbox for an observer, facing the gearbox.



* : Std terminal box

Electromechanical products Compabloc 3000

General information - Ranges



Electromechanical products Compabloc 3000

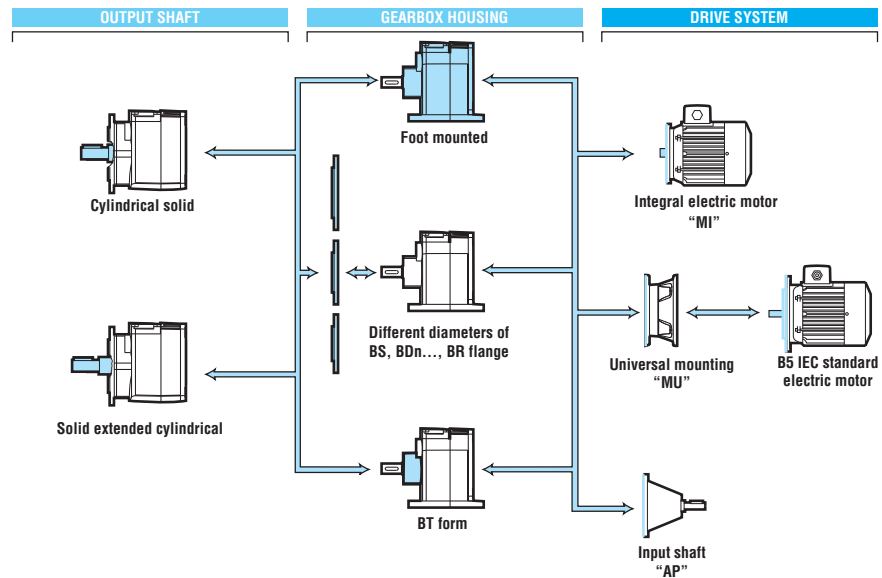
Adaptation possibilities

Leroy-Somer offers several drives for its gearboxes which satisfy a very broad range of requirements. They are described below and offered in this catalogue.

For other drives, consult the Leroy-Somer technical specialists who will be glad to assist.

Compabloc Cb gearboxes can be used in conjunction with the following drives:

- **single-phase induction motors:**
 - LS motor from 0.06 to 0.25 kW
 - LS FMD brake motor from 0.06 to 0.25 kW
- **fixed speed three-phase induction motors:**
 - LS motor from 0.06 to 0.55 kW
 - LSES motor from 0.75 to 110 kW
 - LS FMD brake motor from 0.06 to 0.25 kW
 - FCR LS brake motor from 0.25 to 15 kW
 - LSES motor from 0.75 to 11 kW
 - LS, LSES FCPL brake motor from 11 to 90 kW



Designation / Coding

| | | | | | | | | | | | |
|------------------------|----------------------------|-----------------|---------------|--------------------------------|--------------------|---------------|-----------------|---------------------------------------|--|-----------------------------|-------------|
| Cb | 3333 | 30.2 | BS | S | B52 | MI | 4P | LSES 112 MU | 4 kW LS2/IE2 | 230/400 V 50 Hz | UG |
| Compabloc gearbox type | Size and manufacturer code | Exact reduction | Mounting form | Definition of the output shaft | Operating position | Type of input | Number of poles | Series, frame size, manufacturer code | Motor power Generation code Class η | Mains voltage and frequency | Application |

Example of coding:

Compabloc 3333 with flange 4 kW, 47 min⁻¹, class I

Designation:

Cb 3333 i:30.2 BS S B52 MI 4P
LSES 112 MU 4 kW LS2/IE2 230/400V 50 Hz UG

Code:

473 8378

All the products in this catalogue have a code.

The coding table is incorporated in the price list with the list of designations.

Each electromechanical product is classified in order of power and then in order of speed.

Electromechanical products Compabloc 3000

Selection

The selection of a gearbox or a geared motor should take account of the application. Some of these applications are listed in the indicative "AGMA" load classification, on the next page.

The table opposite summarises the relationship between the "AGMA" class and the gearbox duty factor K_p .

| "AGMA" class | Gearbox duty factor K_p |
|--------------|---------------------------|
| I | 1 |
| II | 1.4 |
| III | 2 |

1st case – Your application is listed

Follow the indicative load classification table according to "AGMA" on the next page.

Indicative load classification according to "AGMA"

| Applications | | Operation in hours/day | | |
|-------------------------------------|-------|------------------------|----------|----------|
| | | 3 h/day | 10 h/day | 24 h/day |
| CONVEYORS (loaded or fed uniformly) | belt | I | I | II |
| | chain | I | I | II |

Application example: Belt CONVEYOR

Operating time: 10 hours/day

"AGMA" class: I

Gearbox duty factor $K_p = 1$

2nd case – Your application is not listed

The "AGMA" selection class is defined by the daily operating time and the type of application operation, according to the table below. ▼

| Type of application | Daily operating time | "AGMA" class |
|-----------------------------|----------------------|--------------|
| Shock-free, not many starts | 10 hours/day | I |
| Damped shocks | 10 hours/day | II |
| Shock-free, not many starts | 24 hours/day | III |
| Violent shocks, many starts | 10 hours/day | III |
| Damped shocks | 24 hours/day | III |

Electromechanical products

Compabloc 3000

List of applications

| OPERATION in hours/day | | | | OPERATION in hours/day | | | | OPERATION in hours/day | | | |
|--|---------|----------|----------|--------------------------------|---------|----------|----------|------------------------------------|---------|----------|----------|
| | 3 h/day | 10 h/day | 24 h/day | | 3 h/day | 10 h/day | 24 h/day | | 3 h/day | 10 h/day | 24 h/day |
| AGITATORS | | | | dough mixers | | | | padding calenders | | | |
| liquids and solids | II | II | II | extruding machines | II | II | II | reelers (except drum) | I | II | II |
| liquids with variable density | II | II | II | meat choppers | II | II | II | soap milling machines | I | II | II |
| pure liquids | I | I | II | GRINDERS | | | | spinning machines | I | I | II |
| semi-liquids, variable density | II | II | III* | minerals | III | III | III* | thread preparation machines: | | | |
| BREWERIES, DISTILLERIES | | | | stones | III | III | III* | washing machines | I | II | II |
| boilers, continuous duty | | | II | HAMMER MILLS | | | | weaving looms | II | III | III |
| bottling machines | I | I | II | ROTARY GRINDERS | | | | RUBBER (industry) | | | |
| brewing vats, continuous duty | | | II | ball mills | III | III | III* | air chamber extruder | II | II | II |
| cookers, continuous duty | | | II | pebble mills | III | III | III* | calenders | II | II | II* |
| scaling hoppers: | | | | rod mills | III | III | III* | extruding machines | II | II | III |
| frequent starts | II | II | III | MACHINE TOOLS | | | | grinders (2 or more) | II | II | II* |
| CANE KNIVES | | | | auxiliary drive system | I | II | II | mixers | III | III | III* |
| SIEVES | | | | main drive system | I | I | II | sheet forming machines | I | II | II* |
| rotary | I | II | III | bending rollers | II | II | II | TIPPERS | | III | III |
| stone washer with water circulation | I | I | II | flat planers | III | III | III* | TIMBER (industry) | | | |
| DREDGERS | | | | punching machines (geared) | III | III | III* | ball conveyors | III | III | III* |
| cable winding drums | I | II | - | nut tappers | II | III | III* | ball support plates | III | III | III* |
| conveyors | I | II | III | shears | III | III | III | barking drums | III | III | III* |
| cutting head control | III | III | III* | drawing frames, carriage | III | III | III* | barking machine, feeder | III | II | III* |
| handling winches | II | II | - | drawing frames, main control | III | III | III* | barking machine, main drive system | III | III | III* |
| pumps | II | II | - | drying rollers | - | - | - | burner conveyors | I | II | III |
| service winches | II | II | - | roller drive | III | III | III | chains | II | II | III |
| shaker control | III | III | III* | spreading systems | III | III | III* | circular feed conveyors | I | II | III |
| sieve control | III | III | III* | separating rollers | - | - | - | cutting saws: | | | |
| CLARIFIERS | | | | shape-cutting machines | III | III | III* | chain | | | |
| SORTERS, GRADERS | | | | sheet metal winders | I | II | II | for ball turning | III | III | III* |
| COMPRESSORS | | | | splitting lines | II | II | III | for planer inclination | I | II | III |
| centrifugal | I | II | II | table conveyor: | | | | reciprocating | II | II | III |
| CONVEYORS (loaded or fed non-uniformly) | | | | reverse operation | III | III | III | devices: | | | |
| heavy duty: | | | | single direction of operation | I | II | III | haulage of balls: | | | |
| apron | II | II | II | wire drawing mills, flatteners | II | II | III | inclined | III | III | III* |
| assembly | II | II | II | agitators, mixers | I | II | II | well | III | III | III* |
| belt | II | II | II | ball conveyors | III* | III* | III* | main conveyors | I | II | III* |
| bucket | II | II | II | barking drums | III | III | III* | peeling tower | - | - | - |
| chain | II | II | II | barking machines (mechanical) | III | III | III | plank conveyors | III | III | III* |
| furnace | II | II | II | bleaching vats | I | II | II | roller drive system | III | III | III* |
| reciprocating | III | III | III* | calenders | I | I | II* | sorting tables | I | II | III |
| removal | I | I | II | centrifugal | I | I | II | supplying: | | | |
| roller | I | I | II | conveyors | I | II | II | cutting | II | II | III |
| scraper | II | II | II | cutters, plating machines | I | II | II | planers | II | II | III |
| screw | II | II | II | cylinders | I | II | II | saws in series | III | III | III* |
| vibrator | III | III | III* | dosing | I | II | II* | shape-cutting machines | II | II | III |
| CONVEYORS (loaded or fed uniformly) | | | | driers | II | II | III* | transfer conveyors | I | II | III |
| apron | I | I | II | felt stitching machines | III* | III* | III* | transfer: | | | |
| assembly | I | I | II | felt tension devices | II | II | II | chain | I | II | III |
| belt | I | I | II | presses | I | II* | II* | on bogies | I | II | III |
| bucket | I | I | II | pulp hammers | II | II | II* | turntable control | I | II | III |
| chain | I | I | II | pulp machines, uncoilers | II | II | II | waste conveyors | I | II | II |
| furnace | I | I | II | PUMPS | | | | TRANSMISSION SHAFT | | | |
| scraper | I | I | II | reciprocating: | | | | brick machines | III | III | III* |
| screw | I | I | II | multi-cylinder single-acting | I | II | II | brick presses | III | III | III* |
| CONTROL (vehicle) | | | | rotary: | | | | CLAY (industry) | | | |
| ELEVATORS | | | | geared | I | I | II | constant loads | I | I | II |
| buckets: | | | | lobed, vaned | I | I | II | loads with moderate shocks | I | II | II |
| continuous load | I | I | II | suction rollers | I | I | II* | loads with severe shocks | III | III | III* |
| heavy load | II | II | II | washers, thickeners | I | II | II* | mixers | II | II | II |
| uniform load | I | I | II | wind up turrets | I | I | II | processing machines | II | II | II |
| centrifugal unloading | I | I | II | wire winders | I | II | II | WASHING MACHINES | | | |
| escalators | I | II | III | wood pulp storing machines | I | II | II | drum | II | II | II |
| gravity unloading | I | I | II | agitators, mixers | I | II | II | reversible | II | II | II |
| hoist for building materials | III | III | - | ball conveyors | III* | III* | III* | WINDING MACHINES | | | |
| COOLING TOWERS | | | | barking drums | III | III | III* | FILTERS | | | |
| CRANES AND LIFTING | | | | barking machines (mechanical) | III | III | III | calenders | I | II | III |
| bucket winches | - | - | - | alignment controls | - | - | - | carding machines, spinners | I | II | II* |
| hoisting gear | - | - | - | calenders | - | II | II | cloth finishing machines: | | | |
| moving bridge | - | - | - | washers, spreading machines | I | II | II | washers, spreading machines | I | II | II |
| moving truck | - | - | - | driers, calenders | I | II | II | driers, calenders | I | II | II |
| FEEDING (attachment) | | | | driers | I | II | II | driers | I | II | II |
| belt | I | II | II | drying machines, mangles | II | II | II | dyeing machines | II | II | II |
| disks | I | I | II | dyeing machines | I | II | II | glueing machines | I | II | II |
| lattice | I | II | II* | knitting machines | - | - | - | loading hoppers | II | II | II |
| reciprocating | III | III | III* | napping mills | I | II | II | | | | |
| screw | I | II | II | | | | | | | | |
| FOOD AND BEVERAGE INDUSTRY | | | | | | | | | | | |
| beet choppers | II | II | II | | | | | | | | |
| cereal cookers | I | I | II | | | | | | | | |

* : These classes assume minimum and normal conditions. To take account of variations which may affect the load conditions, it is recommended that applications are carefully researched before making a selection.

- : Consult Leroy-Somer

Electromechanical products Compabloc 3000

Conditions

Cb: S, BS, BT, BDn, BR

LS: IP55 - 50 Hz - Cl. F - 400 VY - from 0.06 to 0.55 kW - LSES: IP55 - 50 Hz - Cl. F - 400 VY, 400 VA from 0.75 to 110 kW LS2/IE2 - U.G.

LS, LS FMD brake: IP55 - 50 Hz - Cl. F - 230/400 V from 0.06 to 0.25 kW - U.G.

LS FCR brake: IP55 - 50 Hz - Cl. F - 400 V - LS: from 0.25 to 15 kW - LSES: from 0.75 to 11 kW - U.G.

LS, LSES FCPL brake: IP44 - 50 Hz - Cl. F - 400 V from 11 to 90 kW - U.G.

MI

MU

AP

Maximum quantity per order

| Input | Cb 3031 | Cb 3131 to 3531 | Cb 15-- | Cb 3032-3033 | Cb 3133 to 3533 | Cb 3633 | Cb 3733 | Cb 3833 |
|------------------|--|-----------------|---------|--------------|-----------------|---------|---------|---------|
| AP | - | 5 | 5 | 5 | 5 | 2 | 2 | 2 |
| MI LS | 1-ph 0.06-->0.25 kW | 5 | - | 5 | 5 | - | - | - |
| | 3-ph 0.06-->0.55 kW | 5 | 5 | 5 | 5 | - | - | - |
| MI LSES | 3-ph 0.75 --> 9 kW | 5 | 5 | - | 5 | 2 | 2 | 2 |
| | 11 --> 45 kW | - | 2 | - | - | 2 | 2 | 2 |
| MI LS FMD | 1-ph 0.06-->0.25 kW | - | - | - | - | - | - | - |
| | 3-ph 0.06 --> 0.25 kW | 5 | - | 5 | - | - | - | - |
| MI LS FCR | 0.25 --> 9 kW | 5 | 5 | - | 5 | 5 | 2 | 2 |
| | 11 - 15 kW | - | 2 | - | - | 2 | 2 | 1 |
| MI LSES FCR | 0.75 --> 11 kW | - | - | - | - | - | - | - |
| MI LS, LSES FCPL | 11 --> 75 kW | - | - | - | - | - | - | - |
| MU LS | 1-ph 0.06 -->0.25 kW | 5 | - | 5 | - | - | - | - |
| | 3-ph 0.06 -->0.55 kW | 5 | 5 | 5 | 5 | - | - | - |
| | 3-ph 0.75 -->9 kW | 5 | 5 | - | 5 | 2 | 2 | 2 |
| MU LSES | 11 --> 30 kW | - | 2 | - | - | 2 | 2 | 2 |
| | 37 - 45 kW | - | - | - | - | 1 | 1 | 1 |
| | 55 ¹ -->110 kW ¹ | - | - | - | - | 1 | 1 | 1 |
| MU LS FCR | 0.25 --> 9 kW | 5 | 5 | - | 5 | 5 | 2 | 2 |
| | 11 - 15 kW | - | 1 | - | - | 1 | 1 | 1 |
| MU LSES FCR | 0.75 --> 11 kW | - | - | - | - | - | - | - |
| MU LS, LSES FCPL | 11 --> 45 kW | - | - | - | - | - | - | - |
| FCPL | 55 ¹ --> 90 kW ¹ | - | - | - | - | - | - | - |

1. B35 motor obligatory

Pages of dimensions corresponding to mounting

| Type | 1-stage Cb MI forms | | | | | | Mounting | Mounting |
|---------|---------------------|--------|---------------|-----|-----|-----------|------------|------------|
| | Feet | Flange | Other flanges | | | Faceplate | 1-stage Cb | 1-stage Cb |
| | S | BS | BD1 | BD2 | BD3 | BT | MU | AP |
| Cb 3031 | 31 | 31 | 30 | 30 | 30 | 30 | 64 | 29 |
| Cb 3131 | 33 | 33 | 32 | 32 | | 32 | 64 | 29 |
| Cb 3231 | 35 | 35 | 34 | | | 34 | 64 | 29 |
| Cb 3331 | 37 | 37 | 36 | | | 36 | 64 | 29 |
| Cb 3431 | 39 | 39 | 38 | | | 38 | 64 | 29 |
| Cb 3531 | 41 | 41 | 40 | | | 40 | 64 | 29 |

| Type | Multi-stage Cb MI forms | | | | | | | Mounting | Mounting | |
|---------------|-------------------------|--------|---------------|-----|-----|-----------|-----------------------|----------------|----------------|----|
| | Feet | Flange | Other flanges | | | Faceplate | Backstop ¹ | Multi-stage Cb | Multi-stage Cb | |
| | S | BS | BD1 | BD2 | BD3 | BR | BT | AD/AP-MI-MU | MU | AP |
| Cb 1502to1504 | 43 | 43 | 42 | 42 | | | 42 | | 64 | 29 |
| Cb 3032 | 45 | 45 | 44 | 44 | 44 | | 44 | | 64 | 29 |
| Cb 3033 | 47 | 47 | 46 | 46 | 46 | | 46 | | 64 | 29 |
| Cb 3133 | 49 | 49 | 48 | 48 | 48 | | 48 | | 64 | 29 |
| Cb 3233 | 51 | 51 | 50 | 50 | | | 50 | | 64 | 29 |
| Cb 3333 | 53 | 53 | 52 | 52 | | 52 | 52 | | 64 | 29 |
| Cb 3433 | 55 | 55 | 54 | 54 | | 54 | 54 | | 64 | 29 |
| Cb 3533 | 57 | 57 | 56 | 56 | | 56 | 56 | | 64 | 29 |
| Cb 3633 | 59 | 59 | 58 | | | | 58 | 29-58-59-64 | 64 | 29 |
| Cb 3733 | 61 | 61 | 60 | | | | 60 | 29-60-61-64 | 64 | 29 |
| Cb 3833 | 63 | 63 | 62 | | | | 62 | 29-62-63-64 | 64 | 29 |

Options

| Input | Electrical options | | | Mechanical options | | | Brake options | | | |
|---------------|--|----------|-------|--------------------|------------|-------------|--------------------|--------------|-----|-----|
| | 4p / MI-MU | 230/400V | 400VΔ | PTO/PTC | Drip cover | Cover sheet | Hand brake release | Different Mf | TRR | J01 |
| LS | 0.06 --> 0.55 kW | | - | | | | | | | |
| | 0.75 - 0.9 kW | | - | | | | | | | |
| | 1.1 --> 3 kW | | | | | | | | | |
| | 4 --> 9 kW MI | | | | | | | | | |
| LSES | 11 - 15 kW MI | | | | | Standard | | | | |
| | 18.5 --> 45 kW MI | | | | | Standard | | | | |
| | 4 --> 9 kW MU | | | | | Standard | | | | |
| | 11 --> 45 kW MU | | | | | Standard | | | | |
| | 55 ¹ --> 110 kW ¹ MU | | | | | Standard | | | | |
| LS FMD | 0.06 - 0.25 kW | | - | | | | | | | |
| | 0.25 - 3 kW | | | | | Standard | | | | |
| LS FCR | 4 - 5.5 kW | | | | | Standard | | | | |
| | 7.5 - 9 kW | | | | | Standard | | | | |
| | 11 - 15 kW | | | | | Standard | | | | |
| LSES FCR | 0.75-->11 kW | | | | | | | | | |
| | 11 --> 45 kW | | | | | | | | | |
| LS, LSES FCPL | 55 ¹ --> 90 kW ¹ | | | | | | | | | |

1. B35 motor obligatory

DG < 2 WD < 5 WD < 10 WD < 15 WD < To be agreed

DG : Availability ; n WD : Working Days

Electromechanical products Compabloc 3000

Selection

Classes
I, II, III
($k_p = 1, 1.4, 2$)

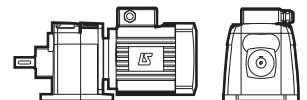
Cb 3031
LS, LSES, LS brake, LSES brake - IP 55 - Cl. F
230 V/400 V Y - 50 Hz - U.G.

| | |
|----------------------|-----------|
| Integral mounting | MI |
| Universal mounting | MU |
| Input shaft mounting | AP |

| Cb 3031 | | | | | | | | | | | |
|-----------------------------|--------------|--------------|--------------|------|------|------|------|------|-----------|------|-----|
| LS, LSES (kW) | | | | | | | | | | | |
| | 0.06 | 0.09 | 0.12 | 0.18 | 0.25 | 0.37 | 0.55 | 0.75 | 0.9 | 1.1 | 1.5 |
| Three-phase 4-pole LS, LSES | | | | | | | | | | | |
| | 56 | | 63 | | 71 | | | 80 | 90 | | |
| Single-phase 4-pole LS | | | | | | | | | | | |
| min-1 | i exact | 56 P | 63 P | | 71 P | | | | | | |
| 178 | 8.13 | 6.16 | 3.87 | 2.73 | 1.76 | 1.27 | 0.84 | | | | |
| 201 | 7.22 | 6.93 | 4.36 | 3.07 | 1.98 | 1.43 | 0.94 | | | | |
| 227 | 6.4 | 7.82 | 4.92 | 3.47 | 2.23 | 1.61 | 1.07 | | | | |
| 249 | 5.82 | 8.60 | 5.41 | 3.82 | 2.46 | 1.78 | 1.17 | | | | |
| 281 | 5.17 | 9.68 | 6.09 | 4.30 | 2.77 | 2.00 | 1.32 | | | | |
| 316 | 4.58 | | 6.87 | 4.84 | 3.12 | 2.25 | 1.49 | 0.97 | | | |
| 356 | 4.08 | | 7.72 | 5.45 | 3.51 | 2.53 | 1.67 | 1.10 | 0.82 | | |
| 400 | 3.63 | | 8.68 | 6.12 | 3.95 | 2.85 | 1.88 | 1.23 | 0.93 | | |
| 448 | 3.24 | | 9.73 | 6.86 | 4.42 | 3.19 | 2.11 | 1.38 | 1.04 | 0.85 | |
| 527 | 2.75 | | | 8.07 | 5.20 | 3.76 | 2.48 | 1.62 | 1.22 | 1.00 | |
| 569 | 2.55 | | | 8.71 | 5.61 | 4.05 | 2.68 | 1.75 | 1.32 | 1.08 | |
| 662 | 2.19 | | | | 6.53 | 4.72 | 3.11 | 2.04 | 1.53 | 1.26 | |
| 741 | 1.96 | | | | 7.31 | 5.28 | 3.49 | 2.28 | 1.72 | 1.41 | |
| 794 | 1.83 | | | | 7.83 | 5.66 | 3.74 | 2.45 | 1.84 | 1.51 | |
| 943 | 1.54 | | | | 9.30 | 6.72 | 4.43 | 2.90 | 2.18 | 1.79 | |
| 992 | 1.46 | | | | 9.79 | 7.07 | 4.67 | 3.06 | 2.30 | 1.88 | |
| 1096 | 1.32 | | | | | 7.81 | 5.16 | 3.38 | 2.54 | 2.08 | |
| 4-pole LS, LSES and brakes | | | | | | | | | | | |
| Three-phase 4-pole LS, LSES | | | | | | | | | | | |
| LS FMD | 56 M | | 63 M | | 71 M | | | | | | |
| LS FCR | | | | | | | 71 L | | 80 L | | |
| LSES FCR | | | | | | | | | 80 | | |
| Single-phase 4-pole LS | | | | | | | | | | | |
| LS FMD | 56 MP | 63 MP | 71 MP | | | | | | | | |

Selection example

| | |
|--|---|
| Required power: | 0.25 kW |
| Required speed: | 178 min-1 |
| Duty factor required by the application: | $K_p = 1$ |
| Operating position; Mounting form: | horizontal, foot mounted |
| Designation: | Cb 3031 i: 8.13 S S M - MI 4p LS 71M 0.25 kW - 400 VY - U.G. |



Electromechanical products Compabloc 3000

Selection

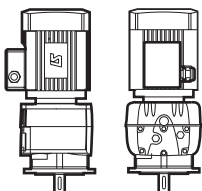
Classes
I, II, III
(kp = 1, 1.4, 2)

Cb 3131
LS, LSES, LS brake, LSES brake - IP 55 - Cl. F
230 V/400 V Y 400 V Δ - 50 Hz - U.G.

| | |
|----------------------|-----------|
| Integral mounting | MI |
| Universal mounting | MU |
| Input shaft mounting | AP |

| | | Cb 3131 | | | | | | | | | | |
|---------------------------|---------|-----------------------------|------|--------|-----------|-----------|------------|------|------|-------|------|-----|
| | | LS, LSES (kW) | | | | | | | | | | |
| | | 0.25 | 0.37 | 0.55 | 0.75 | 0.9 | 1.1 | 1.5 | 1.8 | 2.2 | 3 | 4 |
| | | Three-phase 4-pole LS, LSES | | | | | | | | | | |
| min-1 | i exact | 71 | | | 80 | | 90 | | | 100 | | 112 |
| 183 | 7.91 | 4.08 | 2.70 | | | | | | | | | |
| 202 | 7.17 | 4.50 | 2.97 | | | | | | | | | |
| 232 | 6.25 | 5.17 | 3.41 | 2.23 | 1.68 | 1.38 | 1.14 • | | | | | |
| 255 | 5.69 | 5.67 | 3.75 | 2.45 | 1.84 | 1.51 | 1.25 • | | | | | |
| 295 | 4.92 | 6.57 | 4.34 | 2.84 | 2.13 | 1.75 | 1.45 | 1.06 | 0.88 | | | |
| 331 | 4.38 | 7.36 | 4.86 | 3.18 | 2.39 | 1.96 | 1.62 | 1.19 | 0.98 | 0.80 | | |
| 369 | 3.93 | 8.22 | 5.43 | 3.55 | 2.67 | 2.19 | 1.81 | 1.32 | 1.10 | 0.90 | | |
| 422 | 3.44 | 9.39 | 6.20 | 4.06 | 3.05 | 2.50 | 2.07 | 1.51 | 1.25 | 1.02 | | |
| 446 | 3.25 | 9.93 | 6.56 | 4.29 | 3.23 | 2.64 | 2.19 | 1.60 | 1.32 | 1.08 | | |
| 530 | 2.74 | | 7.79 | 5.10 | 3.83 | 3.14 | 2.60 | 1.90 | 1.57 | 1.29 | 0.94 | |
| 562 | 2.58 | | 8.27 | 5.41 | 4.07 | 3.33 | 2.76 | 2.02 | 1.67 | 1.36 | 1.00 | |
| 634 | 2.29 | | 9.33 | 6.10 | 4.59 | 3.76 | 3.11 | 2.27 | 1.88 | 1.54 | 1.13 | |
| 725 | 2 | | | 6.76 | 5.06 | 4.15 | 3.43 | 2.50 | 2.08 | 1.70 | 1.24 | |
| 824 | 1.76 | | | 7.18 | 5.34 | 4.39 | 3.62 | 2.64 | 2.19 | 1.79 | 1.31 | |
| 932 | 1.56 | | | 7.47 • | 5.55 • | 4.57 • | 3.76 | 2.75 | 2.28 | 1.86 | 1.36 | |
| 1051 | 1.38 | | | 7.74 • | 5.75 • | 4.74 • | 3.90 | 2.85 | 2.36 | 1.93 | 1.41 | |
| 1190 | 1.22 | | | 8.29 | 6.16 | 5.07 | 4.18 | 3.05 | 2.53 | 2.07 | 1.51 | |
| 1254 | 1.16 | | | 8.56 | 6.36 | 5.23 | 4.31 | 3.15 | 2.61 | 2.14 | 1.56 | |
| 4-pole LS, LSES and brake | | Three-phase 4-pole LS, LSES | | | | | | | | | | |
| LS FCR | | 71 L | | | 80 L | | 90 L | | | 100 L | | |
| LSES FCR | | | | | 80 | 90 | 100 | | | | | |

• MU obligatory



Selection example

| | |
|--|---|
| Required power: | 1.5 kW |
| Required speed: | 331 min-1 |
| Duty factor required by the application: | Kp = 1 |
| Operating position; Mounting form: | V1 vertical; BS flange |
| Designation: | Cb 3131 i: 4.38 BS S V1 - MI 4p LSES 90L 1.5 kW LS2/IE2 - 400 VY - U.G. |

Electromechanical products Compabloc 3000

Selection

Classes
I, II, III
(kp = 1, 1.4, 2)

Cb 3231
LS, LSES, LS brake, LSES brake - IP 55 - Cl. F
230 V/400 V Y 400 V Δ - 50 Hz - U.G.

| | |
|----------------------|-----------|
| Integral mounting | MI |
| Universal mounting | MU |
| Input shaft mounting | AP |

| | | Cb 3231 | | | | | | | | | | | |
|---------------------------|---------|-----------------------------|------|------|-----------|--------|--------|-----------|--------|--------|------------|------------|------------|
| | | LS, LSES (kW) | | | | | | | | | | | |
| | | 0.25 | 0.37 | 0.55 | 0.75 | 0.9 | 1.1 | 1.5 | 1.8 | 2.2 | 3 | 4 | 5.5 |
| | | Three-phase 4-pole LS, LSES | | | | | | | | | | | |
| min-1 | i exact | 71 | | | 80 | | | 90 | | | 100 | 112 | 132 |
| 180 | 8.08 | 6.40 | 4.22 | 2.76 | 2.08 | 1.70 | 1.41 • | | | | | | |
| 210 | 6.92 | 7.47 | 4.93 | 3.23 | 2.43 | 1.99 | 1.65 | 1.20 | 1.00 | 0.81 | | | |
| 230 | 6.31 | 8.19 | 5.41 | 3.54 | 2.66 | 2.18 | 1.80 | 1.32 | 1.09 | 0.89 | | | |
| 254 | 5.71 | 9.04 | 5.97 | 3.91 | 2.94 | 2.41 | 1.99 | 1.46 | 1.20 | 0.99 | | | |
| 297 | 4.88 | | 7.00 | 4.58 | 3.44 | 2.82 | 2.33 | 1.71 | 1.41 | 1.16 | 0.84 | | |
| 335 | 4.33 | | 7.87 | 5.15 | 3.88 | 3.17 | 2.63 | 1.92 | 1.59 | 1.30 | 0.95 | | |
| 372 | 3.89 | | 8.76 | 5.73 | 4.31 | 3.53 | 2.92 | 2.13 | 1.77 | 1.45 | 1.06 | 0.80 | |
| 423 | 3.43 | | 9.95 | 6.51 | 4.90 | 4.01 | 3.32 | 2.43 | 2.01 | 1.64 | 1.20 | 0.91 | |
| 470 | 3.09 | | | 7.23 | 5.44 | 4.45 | 3.69 | 2.69 | 2.23 | 1.82 | 1.33 | 1.01 | |
| 533 | 2.72 | | | 8.21 | 6.17 | 5.06 | 4.18 | 3.06 | 2.53 | 2.07 | 1.51 | 1.15 | 0.83 |
| 570 | 2.55 | | | 8.77 | 6.60 | 5.40 | 4.47 | 3.27 | 2.70 | 2.21 | 1.62 | 1.23 | 0.89 |
| 657 | 2.21 | | | | 7.60 | 6.23 | 5.15 | 3.77 | 3.12 | 2.55 | 1.86 | 1.41 | 1.02 |
| 748 | 1.94 | | | | 8.67 | 7.10 | 5.87 | 4.29 | 3.55 | 2.91 | 2.13 | 1.61 | 1.17 |
| 829 | 1.75 | | | | 9.44 • | 7.74 • | 6.40 • | 4.67 • | 3.87 • | 3.17 • | 2.31 | 1.75 | 1.27 |
| 936 | 1.55 | | | | | 8.41 • | 6.93 • | 5.07 • | 4.20 • | 3.43 • | 2.51 | 1.90 | 1.38 |
| 999 | 1.45 | | | | | 8.23 • | 6.77 • | 4.95 • | 4.10 • | 3.36 • | 2.45 | 1.85 | 1.34 |
| 1180 | 1.23 | | | | | 8.91 • | 7.33 | 5.36 | 4.44 | 3.63 | 2.66 | 2.00 | 1.45 |
| 4-pole LS, LSES and brake | | Three-phase 4-pole LS, LSES | | | | | | | | | | | |
| LS FCR | | 71 L | | | 80 L | | | 90 L | | | 100 L | 112 | 132 |
| LSES FCR | | | | | 80 | | | 90 | | | 100 | 112 | 132 |

• MU obligatory

Selection example:

Required power: 1.5 kW
 Required speed: 230 min⁻¹
 Duty factor required by the application: Kp = 1
 Operating position; Mounting form: Horizontal B5; BS flange
 Designation: Cb 3231 i: 6.31 BS S B5 - MI 4p LSES 90L 1.5 kW LS2/IE2 - 400 VY - U.G.



Electromechanical products Compabloc 3000

Selection

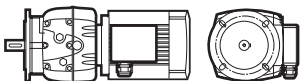
Classes
I, II, III
(kp = 1, 1.4, 2)

Cb 3331
LS, LSES, LS brake, LSES brake - IP 55 - CI. F
230 V/400 V Y 400 V Δ - 50 Hz - U.G.

| | |
|----------------------|-----------|
| Integral mounting | MI |
| Universal mounting | MU |
| Input shaft mounting | AP |

| | | Cb 3331 | | | | | | | | | | | | | | |
|---------------------------|---------|-----------------------------|------|------|-----------|--------|--------|-----------|--------|--------|------------|------|------|------------|------------|--|
| | | LS, LSES (kW) | | | | | | | | | | | | | | |
| | | 0.25 | 0.37 | 0.55 | 0.75 | 0.9 | 1.1 | 1.5 | 1.8 | 2.2 | 3 | 4 | 5.5 | 7.5 | 9 | |
| | | Three-phase 4-pole LS, LSES | | | | | | | | | | | | | | |
| min-1 | i exact | 71 | | | 80 | | | 90 | | | 100 | | | 112 | 132 | |
| 185 | 7.83 | 8.16 | 5.34 | 4.02 | 3.29 | 2.72 | 1.99 | 1.65 | 1.35 | | | | | | | |
| 205 | 7.08 | 9.04 | 5.92 | 4.45 | 3.64 | 3.01 | 2.20 | 1.82 | 1.49 | | | | | | | |
| 229 | 6.33 | | 6.61 | 4.97 | 4.07 | 3.37 | 2.46 | 2.04 | 1.67 | 1.22 | 0.92 | | | | | |
| 264 | 5.5 | | 7.61 | 5.72 | 4.69 | 3.88 | 2.83 | 2.35 | 1.92 | 1.40 | 1.06 | | | | | |
| 298 | 4.87 | | 8.60 | 6.47 | 5.30 | 4.38 | 3.20 | 2.65 | 2.17 | 1.59 | 1.20 | 0.87 | | | | |
| 324 | 4.47 | | 9.36 | 7.04 | 5.76 | 4.77 | 3.48 | 2.89 | 2.36 | 1.73 | 1.31 | 0.95 | | | | |
| 367 | 3.95 | | | 7.97 | 6.52 | 5.40 | 3.94 | 3.27 | 2.67 | 1.95 | 1.48 | 1.07 | | | | |
| 412 | 3.52 | | | 8.74 | 7.17 | 5.92 | 4.33 | 3.59 | 2.93 | 2.14 | 1.62 | 1.18 | 0.87 | | | |
| 459 | 3.16 | | | 9.12 | 7.51 | 6.18 | 4.52 | 3.75 | 3.06 | 2.24 | 1.69 | 1.23 | 0.90 | | | |
| 498 | 2.91 | | | | 8.76 | 7.25 | 5.30 | 4.39 | 3.59 | 2.62 | 1.99 | 1.44 | 1.06 | | | |
| 561 | 2.58 | | | | 9.98 | 8.26 | 6.03 | 5.00 | 4.09 | 2.99 | 2.27 | 1.64 | 1.21 | | | |
| 644 | 2.25 | | | | | 8.34 | 6.10 | 5.06 | 4.13 | 3.02 | 2.28 | 1.65 | 1.22 | | | |
| 712 | 2.04 | | | | | 8.77 • | 6.41 • | 5.32 • | 4.35 • | 3.18 | 2.40 | 1.74 | 1.28 | | | |
| 817 | 1.77 | | | | | 8.27 • | 6.05 • | 5.01 • | 4.10 • | 3.00 | 2.26 | 1.64 | 1.21 | | | |
| 903 | 1.61 | | | | | 8.29 • | 6.06 • | 5.02 • | 4.11 • | 3.01 • | 2.27 • | 1.64 | 1.21 | | | |
| 995 | 1.46 | | | | | 8.40 | 6.14 | 5.09 | 4.16 | 3.05 | 2.30 | 1.67 | 1.23 | | | |
| 1148 | 1.26 | | | | | 8.83 | 6.45 | 5.35 | 4.38 | 3.20 | 2.41 | 1.75 | 1.29 | | | |
| 4-pole LS, LSES and brake | | Three-phase 4-pole LS, LSES | | | | | | | | | | | | | | |
| LS FCR | | 71 L | | | 80 L | | | 90 L | | | 100 L | | | 112 | 132 | |
| LSES FCR | | | | | 80 | | | 90 | | | 100 | | | 112 | 132 | |

• MU obligatory



Selection example

| | |
|--|--|
| Required power: | 4 kW |
| Required speed: | 300 min-1 |
| Duty factor required by the application: | Kp = 1 |
| Operating position; Mounting form: | Horizontal B52; BS flange |
| Designation: | Cb 3331 i: 4.87 BS S B52 - MI 4p LSES 112MU 4 kW LS2/IE2 - 400 VY - U.G. |

Electromechanical products Compabloc 3000

Selection

Classes
I, II, III
(kp = 1, 1.4, 2)

Cb 3431
LSES, LS brake, LSES brake - IP 55 - Cl. F
230 V/400 V Y 400 V Δ - 50 Hz - U.G.

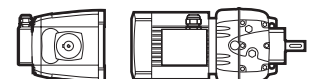
| | |
|----------------------|-----------|
| Integral mounting | MI |
| Universal mounting | MU |
| Input shaft mounting | AP |

| | | Cb 3431 | | | | | | | | | | | | | | | |
|-----------------------------------|---------|------------------------------------|-----------|------|------|------------|------|--------|------------|------------|------|------------|------|------------|------|------------|--------|
| | | LS, LSES (kW) | | | | | | | | | | | | | | | |
| | | 0.75 | 0.9 | 1.1 | 1.5 | 1.8 | 2.2 | 3 | 4 | 5.5 | 7.5 | 9 | 11 | 15 | 18.5 | 22 | 30 |
| | | Three-phase 4-pole LS, LSES | | | | | | | | | | | | | | | |
| min-1 | i exact | 80 | 90 | | | 100 | | | 112 | 132 | | 160 | | 180 | | 200 | |
| 179 | 8.1 | 8.05 | 6.59 | 5.45 | 3.98 | 3.29 | 2.69 | 1.97 | 1.49 | | | | | | | | |
| 212 | 6.83 | | 8.25 | 6.82 | 4.98 | 4.12 | 3.37 | 2.46 | 1.87 | | | | | | | | |
| 236 | 6.15 | | 9.20 | 7.61 | 5.55 | 4.60 | 3.76 | 2.75 | 2.08 | 1.51 | 1.11 | | | | | | |
| 260 | 5.57 | | | 8.40 | 6.13 | 5.08 | 4.15 | 3.03 | 2.30 | 1.66 | 1.23 | | | | | | |
| 282 | 5.13 | | | 9.12 | 6.66 | 5.51 | 4.51 | 3.29 | 2.50 | 1.81 | 1.33 | | | | | | |
| 329 | 4.41 | | | | 7.75 | 6.41 | 5.24 | 3.83 | 2.90 | 2.10 | 1.55 | 1.29 | 1.06 | | | | |
| 353 | 4.11 | | | | 8.31 | 6.88 | 5.63 | 4.11 | 3.12 | 2.26 | 1.66 | 1.39 | 1.13 | 0.83 | | | |
| 403 | 3.6 | | | | 9.49 | 7.86 | 6.43 | 4.70 | 3.56 | 2.58 | 1.90 | 1.58 | 1.29 | 0.95 | | | |
| 456 | 3.18 | | | | | 8.89 | 7.27 | 5.31 | 4.03 | 2.91 | 2.15 | 1.79 | 1.46 | 1.07 | 0.87 | | |
| 512 | 2.83 | | | | | 9.89 | 8.09 | 5.91 | 4.48 | 3.24 | 2.39 | 1.99 | 1.63 | 1.19 | 0.97 | 0.81 | |
| 571 | 2.54 | | | | | | 8.75 | 6.39 | 4.84 | 3.51 | 2.58 | 2.15 | 1.76 | 1.29 | 1.04 | 0.88 | |
| 667 | 2.17 | | | | | | 9.73 | 7.11 | 5.38 | 3.90 | 2.87 | 2.39 | 1.96 | 1.43 | 1.16 | 0.98 | |
| 737 | 1.97 | | | | | | | 7.58 ● | 5.74 ● | 4.16 | 3.06 | 2.55 | 2.09 | 1.53 | 1.24 | 1.04 | |
| 836 | 1.74 | | | | | | | 7.41 ● | 5.61 ● | 4.06 | 2.99 | 2.50 | 2.04 | 1.49 | 1.21 | 1.02 | |
| 932 | 1.56 | | | | | | | 8.73 ● | 6.61 ● | 4.79 | 3.53 | 2.94 | 2.40 | 1.76 | 1.43 | 1.20 | 0.88 ● |
| 1047 | 1.38 | | | | | | | 8.62 ● | 6.53 ● | 4.73 | 3.48 | 2.91 | 2.37 | 1.74 | 1.41 | 1.18 | 0.87 ● |
| 1171 | 1.24 | | | | | | | 8.04 ● | 6.08 ● | 4.41 | 3.25 | 2.71 | 2.21 | 1.62 | 1.31 | 1.10 | 0.81 ● |
| 4-pole LS, LSES and brakes | | Three-phase 4-pole LS, LSES | | | | | | | | | | | | | | | |
| LS FCR | | 80 L | 90 L | | | 100 L | | | 112 | 132 | | 160 | | | | | |
| LSES FCR | | 80 | 90 | | | 100 | | | 112 | 132 | | 160 | | | | | |
| LS, LSES FCPL | | | | | | | | | | | | 160 | | 180 | | 200 | |

● MU obligatory

Selection example

Required power: 4 kW
 Required speed: 179 min-1
 Duty factor required by the application: Kp = 1.4
 Operating position; Mounting form: Horizontal B7; foot mounted
Designation: Cb 3431 i: 8.1 S S B7 - MI 4p LS 112MU 4 kW LS2/IE2 - 400 VY - U.G.



Electromechanical products Compabloc 3000

Selection

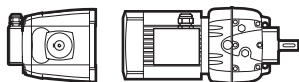
Classes
I, II, III
(kp = 1, 1.4, 2)

Cb 3531
LSES, LS brake, LSES brake - IP 55 - Cl. F
230 V/400 V Y 400 V Δ - 50 Hz - U.G.

| | |
|----------------------|-----------|
| Integral mounting | MI |
| Universal mounting | MU |
| Input shaft mounting | AP |

| | | Cb 3531 | | | | | | | | | | | | | |
|----------------------------|---------|-----------------------------|------|------|-------|--------|--------|------|------|------|------|------|------|------|------|
| | | LSES (kW) | | | | | | | | | | | | | |
| | | 1.1 | 1.5 | 1.8 | 2.2 | 3 | 4 | 5.5 | 7.5 | 9 | 11 | 15 | 18.5 | 22 | 30 |
| | | Three-phase 4-pole LSES | | | | | | | | | | | | | |
| min-1 | i exact | 90 | | | 100 | | 112 | 132 | | | 160 | | 180 | | 200 |
| 181 | 8 | 9.93 | 7.24 | 5.99 | 4.90 | 3.58 | 2.71 | 1.96 | 1.45 | | | | | | |
| 211 | 6.87 | | 8.20 | 6.78 | 5.55 | 4.05 | 3.07 | 2.22 | 1.64 | | | | | | |
| 230 | 6.31 | | 9.26 | 7.66 | 6.26 | 4.58 | 3.47 | 2.51 | 1.85 | | | | | | |
| 264 | 5.5 | | | 8.79 | 7.19 | 5.25 | 3.98 | 2.88 | 2.12 | 1.77 | 1.45 | 1.06 | 0.86 | | |
| 299 | 4.85 | | | 9.92 | 8.11 | 5.92 | 4.48 | 3.25 | 2.39 | 2.00 | 1.63 | 1.19 | 0.97 | 0.81 | |
| 333 | 4.35 | | | | 9.09 | 6.64 | 5.03 | 3.64 | 2.68 | 2.24 | 1.83 | 1.34 | 1.08 | 0.91 | |
| 374 | 3.88 | | | | 9.83 | 7.18 | 5.44 | 3.93 | 2.90 | 2.42 | 1.98 | 1.45 | 1.17 | 0.98 | |
| 408 | 3.55 | | | | | 7.88 | 5.96 | 4.31 | 3.18 | 2.65 | 2.17 | 1.58 | 1.29 | 1.08 | |
| 472 | 3.07 | | | | | 7.94 | 6.01 | 4.35 | 3.21 | 2.67 | 2.19 | 1.60 | 1.30 | 1.09 | |
| 523 | 2.77 | | | | | 8.88 | 6.70 | 4.86 | 3.57 | 2.98 | 2.44 | 1.78 | 1.45 | 1.21 | 0.89 |
| 594 | 2.44 | | | | | 9.43 • | 7.11 • | 5.16 | 3.79 | 3.16 | 2.58 | 1.89 | 1.53 | 1.29 | 0.95 |
| 644 | 2.25 | | | | | 9.76 • | 7.36 • | 5.33 | 3.92 | 3.27 | 2.67 | 1.96 | 1.59 | 1.33 | 0.98 |
| 725 | 2 | | | | | | 7.71 • | 5.58 | 4.11 | 3.42 | 2.8 | 2.05 | 1.66 | 1.40 | 1.03 |
| 812 | 1.79 | | | | | | 8.03 • | 5.82 | 4.28 | 3.57 | 2.92 | 2.14 | 1.73 | 1.45 | 1.07 |
| 906 | 1.6 | | | | | | | | | 3.71 | 3.03 | 2.22 | 1.80 | 1.51 | 1.11 |
| 994 | 1.46 | | | | | | | | | 3.82 | 3.12 | 2.28 | 1.85 | 1.56 | 1.14 |
| 1137 | 1.28 | | | | | | | | | 3.97 | 3.25 | 2.38 | 1.93 | 1.62 | 1.19 |
| 4-pole LS, LSES and brakes | | Three-phase 4-pole LS, LSES | | | | | | | | | | | | | |
| LS FCR | | 90 L | | | 100 L | | 112 | 132 | | | 160 | | | | |
| LSES FCR | | 90 | | | 100 | | 112 | 132 | | | 160 | | | | |
| LS, LSES FCPL | | | | | | | | | | | 160 | | 180 | | 200 |

• MU obligatory



Selection example

| | |
|--|--|
| Required power: | 15 kW |
| Required speed: | 300 min ⁻¹ |
| Duty factor required by the application: | Kp = 1 |
| Operating position; Mounting form: | Horizontal B7; foot mounted |
| Designation: | Cb 3531 i: 4.85 S S B7 - MI 4p LSES 160L 15 kW LS2/IE2 - 400 VA - U.G. |

Electromechanical products Compabloc 3000

Selection

Classes
I, II, III
(kp = 1, 1.4, 2)

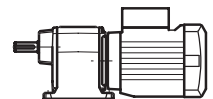
Cb 15
LS, brake LS - IP 55 - Cl. F - 230 V/400 V Y - 50 Hz - U.G.

| | |
|----------------------|-----------|
| Integral mounting | MI |
| Universal mounting | MU |
| Input shaft mounting | AP |

| Cb 1502, 1503, 1504 | | | | | | | | | | | | |
|----------------------------|---------|------|-------|------|-------|----------------|------|----------------|------|-----|-----|-----|
| LS (kW) | | | | | | | | | | | | |
| | | 0.06 | 0.09 | 0.12 | 0.18 | 0.25 | 0.37 | 0.55 | 0.75 | 0.9 | 1.1 | 1.5 |
| Three-phase 4-pole LS | | | | | | | | | | | | |
| | | 56 | | 63 | | 71 | | 80 | | 90 | | |
| Single-phase 4-pole LS | | | | | | | | | | | | |
| min-1 | i exact | 56 P | | 63 P | | 71 P | | 80 | | 90 | | |
| 6.29 | 231 | 1.01 | | | | | | | | | | |
| 7.13 | 203 | 1.14 | | | | Cb 1504 | | | | | | |
| 8.01 | 181 | 1.27 | | | | | | | | | | |
| 9.01 | 161 | 1.33 | 0.83 | | | | | | | | | |
| 10.1 | 144 | 1.48 | 0.92 | | | | | | | | | |
| 11.6 | 125 | 1.69 | 1.05 | | | | | | | | | |
| 13.1 | 110 | 1.89 | 1.18 | 0.83 | | | | | | | | |
| 14.8 | 98.3 | 2.10 | 1.31 | 0.92 | | | | | | | | |
| 16.4 | 88.2 | 2.32 | 1.45 | 1.02 | | Cb 1503 | | | | | | |
| 18.2 | 79.7 | 2.54 | 1.58 | 1.11 | | | | | | | | |
| 20.5 | 70.8 | 2.80 | 1.74 | 1.23 | | | | | | | | |
| 22.5 | 64.6 | 3.01 | 1.87 | 1.32 | 0.85 | | | | | | | |
| 24.5 | 59.1 | 3.22 | 2.00 | 1.41 | 0.91 | | | | | | | |
| 29.0 | 50.1 | 3.71 | 2.30 | 1.63 | 1.04 | | | | | | | |
| 31.4 | 46.2 | 3.91 | 2.43 | 1.72 | 1.10 | | | | | | | |
| 35.6 | 40.8 | 4.31 | 2.68 | 1.89 | 1.21 | 0.87 | | | | | | |
| 39.3 | 36.9 | 4.64 | 2.88 | 2.03 | 1.31 | 0.94 | | | | | | |
| 46.0 | 31.5 | 4.16 | 2.60 | 1.83 | 1.18 | | | | | | | |
| 51.5 | 28.2 | 5.70 | 3.56 | 2.51 | 1.61 | 1.16 | | | | | | |
| 59.1 | 24.5 | 6.38 | 3.99 | 2.80 | 1.80 | 1.30 | | | | | | |
| 67 | 21.6 | 7.13 | 4.46 | 3.14 | 2.01 | 1.45 | | Cb 1502 | | | | |
| 75.2 | 19.3 | 7.89 | 4.93 | 3.47 | 2.23 | 1.61 | | | | | | |
| 83.8 | 17.3 | 8.62 | 5.39 | 3.79 | 2.44 | 1.76 | 1.16 | | | | | |
| 92.8 | 15.6 | 9.37 | 5.86 | 4.12 | 2.65 | 1.91 | 1.26 | | | | | |
| 104 | 13.9 | | 6.40 | 4.50 | 2.89 | 2.09 | 1.38 | | | | | |
| 115 | 12.7 | | 6.84 | 4.81 | 3.09 | 2.23 | 1.47 | 0.96 | | | | |
| 125 | 11.6 | | 7.24 | 5.10 | 3.27 | 2.36 | 1.56 | 1.02 | | | | |
| 148 | 9.81 | | 8.16 | 5.74 | 3.69 | 2.66 | 1.76 | 1.15 | | | | |
| 160 | 9.07 | | 8.63 | 6.07 | 3.90 | 2.81 | 1.86 | 1.21 | | | | |
| 181 | 7.99 | | 9.53 | 6.70 | 4.31 | 3.11 | 2.05 | 1.34 | | | | |
| 201 | 7.23 | | | 7.07 | 4.55 | 3.28 | 2.16 | 1.42 | | | | |
| 4-pole LS and brakes | | | | | | | | | | | | |
| Three-phase 4-pole LS | | | | | | | | | | | | |
| FMD | 56 M | | | 63 M | | 71 M | | | | | | |
| FCR | | | | | | 71 L | | | | | | |
| Single-phase 4-pole LS | | | | | | | | | | | | |
| FMD | 56 MP | | 63 MP | | 71 MP | | | | | | | |

Selection example

| | |
|--|---|
| Required power: | 0.18 kW |
| Required speed: | 45 min-1 |
| Duty factor required by the application: | Kp = 1 |
| Operating position; Mounting form: | horizontal, foot mounted |
| Designation: | Cb 1502 i: 31.5 S S M - MI 4p LS 63M 0.18 kW - 400 VY - U.G. |



Electromechanical products Compabloc 3000

Selection

Classes
I, II, III
(kp = 1, 1.4, 2)

Cb 30
LS, LSES, LS brake, LSES brake - IP 55 - CI. F
230 V/400 V Y - 50 Hz - U.G.

| | |
|----------------------|-----------|
| Integral mounting | MI |
| Universal mounting | MU |
| Input shaft mounting | AP |

| Cb 3032, 3033 | | | | | | | | | | | | |
|-----------------------------------|---------|--------------|------|--------------|------|--------------|------|------|------|-----------|-----|-----|
| LS, LSES (kW) | | | | | | | | | | | | |
| | | 0.06 | 0.09 | 0.12 | 0.18 | 0.25 | 0.37 | 0.55 | 0.75 | 0.9 | 1.1 | 1.5 |
| Three-phase 4-pole LS, LSES | | | | | | | | | | | | |
| | | 56 | | 63 | | 71 | | 80 | | 90 | | |
| Single-phase 4-pole LS | | | | | | | | | | | | |
| min-1 | i exact | 56 P | | 63 P | | 71 P | | | | | | |
| 7.1 | 204 | 1.41 | 0.89 | | | | | | | | | |
| 7.99 | 181 | 1.59 | 1.00 | | | | | | | | | |
| 9.02 | 161 | 1.79 | 1.13 | 0.80 | | | | | | | | |
| 9.92 | 146 | 1.97 | 1.24 | 0.88 | | | | | | | | |
| 11.2 | 130 | 2.22 | 1.40 | 0.99 | | | | | | | | |
| 12.6 | 115 | 2.50 | 1.58 | 1.11 | | | | | | | | |
| 14.2 | 102 | 2.82 | 1.77 | 1.25 | 0.80 | | | | | | | |
| 15.9 | 91.1 | 3.17 | 1.99 | 1.41 | 0.91 | | | | | | | |
| 17.8 | 81.3 | 3.55 | 2.23 | 1.57 | 1.01 | | | | | | | |
| 21.0 | 69.1 | 4.17 | 2.63 | 1.85 | 1.19 | 0.86 | | | | | | |
| 22.6 | 64.1 | 4.50 | 2.83 | 2.00 | 1.29 | 0.93 | | | | | | |
| 26.4 | 55 | 5.24 | 3.30 | 2.33 | 1.50 | 1.08 | | | | | | |
| 29.5 | 49.2 | 5.87 | 3.69 | 2.60 | 1.68 | 1.21 | 0.80 | | | | | |
| 31.6 | 45.9 | 6.28 | 3.95 | 2.79 | 1.80 | 1.30 | 0.86 | | | | | |
| 37.5 | 38.7 | 7.44 | 4.68 | 3.30 | 2.13 | 1.54 | 1.01 | | | | | |
| 39.5 | 36.7 | 7.83 | 4.92 | 3.47 | 2.24 | 1.62 | 1.07 | | | | | |
| 43.6 | 33.2 | 8.62 | 5.44 | 3.82 | 2.46 | 1.78 | 1.17 | | | | | |
| | | | | | | | | | | | | |
| 32.0 | 45.4 | 6.29 | 3.95 | 2.79 | 1.80 | 1.30 | 0.86 | | | | | |
| 36.0 | 40.3 | 7.06 | 4.44 | 3.13 | 2.02 | 1.46 | 0.96 | | | | | |
| 40.6 | 35.7 | 7.96 | 5.00 | 3.53 | 2.27 | 1.64 | 1.08 | | | | | |
| 43.6 | 33.2 | 8.62 | 5.42 | 3.82 | 2.46 | 1.78 | 1.17 | | | | | |
| 44.6 | 32.5 | 8.74 | 5.49 | 3.88 | 2.50 | 1.8 | 1.19 | | | | | |
| 50.3 | 28.8 | 9.82 | 6.17 | 4.36 | 2.81 | 2.03 | 1.34 | | | | | |
| 56.7 | 25.6 | | 6.94 | 4.90 | 3.16 | 2.28 | 1.50 | 0.99 | | | | |
| 63.7 | 22.8 | | 7.79 | 5.50 | 3.54 | 2.56 | 1.69 | 1.11 | 0.83 | | | |
| 71.6 | 20.2 | | 8.74 | 6.17 | 3.97 | 2.87 | 1.89 | 1.24 | 0.93 | | | |
| 80.3 | 18.1 | | 9.76 | 6.89 | 4.44 | 3.20 | 2.12 | 1.39 | 1.04 | 0.85 | | |
| 94.4 | 15.4 | | | 8.08 | 5.20 | 3.75 | 2.48 | 1.62 | 1.22 | 1.00 | | |
| 102 | 14.2 | | | 8.69 | 5.60 | 4.04 | 2.67 | 1.75 | 1.31 | 1.08 | | |
| 119 | 12.2 | | | | 6.49 | 4.69 | 3.09 | 2.03 | 1.52 | 1.25 | | |
| 133 | 10.9 | | | | 7.24 | 5.23 | 3.45 | 2.26 | 1.70 | 1.39 | | |
| 142 | 10.2 | | | | 7.75 | 5.59 | 3.69 | 2.42 | 1.82 | 1.49 | | |
| 169 | 8.59 | | | | 9.15 | 6.60 | 4.36 | 2.85 | 2.14 | 1.76 | | |
| 178 | 8.16 | | | | 9.61 | 6.94 | 4.58 | 3.00 | 2.25 | 1.85 | | |
| 196 | 7.38 | | | | | 7.62 | 5.03 | 3.30 | 2.48 | 2.03 | | |
| 4-pole LS, LSES and brakes | | | | | | | | | | | | |
| Three-phase 4-pole LS, LSES | | | | | | | | | | | | |
| LS FMD | | 56 M | | 63 M | | 71 M | | | | | | |
| LS FCR | | | | | | | | 71 L | | 80 L | | |
| LSES FCR | | | | | | | | | | 80 | | |
| Single-phase 4-pole LS | | | | | | | | | | | | |
| FMD | | 56 MP | | 63 MP | | 71 MP | | | | | | |



Selection example

| | |
|--|--|
| Required power: | 0.25 kW |
| Required speed: | 32 min-1 |
| Duty factor required by the application: | Kp = 1 |
| Operating position; Mounting form: | horizontal, foot mounted |
| Designation: | Cb 3032 i: 45.4 S S M - MI 4p LS 71M 0.25 kW - 400 VY - U.G. |

Electromechanical products Compabloc 3000

Selection

Classes
I, II, III
(kp = 1, 1.4, 2)

Cb 3133
LS, LSES, LS brake, LSES brake - IP 55 - CI. F
230 V/400 V Y 400 V Δ - 50 Hz - U.G.

| | |
|----------------------|-----------|
| Integral mounting | MI |
| Universal mounting | MU |
| Input shaft mounting | AP |

| | | Cb 3133 | | | | | | | | | | |
|-------|---------|-----------------------------|------|--------|--------|--------|--------|--------|------|------|------|------|
| | | LS, LSES (kW) | | | | | | | | | | |
| | | 0.25 | 0.37 | 0.55 | 0.75 | 0.9 | 1.1 | 1.5 | 1.8 | 2.2 | 3 | 4 |
| | | Three-phase 4-pole LS, LSES | | | | | | | | | | |
| min-1 | i exact | 71 | | | 80 | | 90 | | | 100 | | 112 |
| 9.17 | 158 | 0.85 | | | | | | | | | | |
| 10.1 | 144 | 0.93 | | | | | | | | | | |
| 11.7 | 124 | 1.08 | | | | | | | | | | |
| 13.1 | 111 | 1.20 | | | | | | | | | | |
| 14.6 | 99.4 | 1.30 | 0.86 | | | | | | | | | |
| 16.7 | 87 | 1.43 | 0.95 | | | | | | | | | |
| 17.6 | 82.2 | 1.49 | 0.99 | | | | | | | | | |
| 20.9 | 69.2 | 1.67 | 1.11 | | | | | | | | | |
| 22.2 | 65.3 | 1.74 | 1.15 | | | | | | | | | |
| 25.1 | 57.8 | 1.89 | 1.25 | 0.82 | | | | | | | | |
| 28.7 | 50.6 | | | 0.90 | | | | | | | | |
| 29.5 | 49.1 | 2.71 | 1.79 | | | | | | | | | |
| 32.6 | 44.5 | 2.98 | 1.97 | 0.98 | | | | | | | | |
| 37.3 | 38.8 | 3.41 | 2.25 | 1.48 | 1.11 | 0.91 | | | | | | |
| 41.0 | 35.4 | 3.74 | 2.47 | 1.62 | 1.22 | 1.00 | | | | | | |
| 47.5 | 30.6 | 4.32 | 2.85 | 1.87 | 1.40 | 1.15 | 0.95 | | | | | |
| 53.2 | 27.2 | 4.83 | 3.19 | 2.09 | 1.57 | 1.29 | 1.06 | | | | | |
| 59.4 | 24.4 | 5.38 | 3.55 | 2.33 | 1.75 | 1.43 | 1.18 | 0.87 | | | | |
| 67.9 | 21.4 | 6.13 | 4.05 | 2.65 | 1.99 | 1.63 | 1.35 | 0.99 | 0.82 | | | |
| 71.8 | 20.2 | 6.47 | 4.27 | 2.8 | 2.10 | 1.72 | 1.42 | 1.04 | 0.86 | | | |
| 85.3 | 17 | 7.65 | 5.05 | 3.31 | 2.49 | 2.04 | 1.68 | 1.23 | 1.02 | 0.83 | | |
| 90.5 | 16 | 8.11 | 5.35 | 3.50 | 2.63 | 2.16 | 1.78 | 1.30 | 1.08 | 0.88 | | |
| 102 | 14.2 | 9.11 | 6.02 | 3.94 | 2.96 | 2.43 | 2.01 | 1.47 | 1.21 | 0.99 | | |
| 117 | 12.4 | | 6.71 | 4.40 | 3.29 | 2.70 | 2.23 | 1.63 | 1.35 | 1.11 | 0.81 | |
| 133 | 10.9 | | 7.36 | 4.84 | 3.61 | 2.97 | 2.45 | 1.79 | 1.48 | 1.21 | 0.89 | |
| 139 | 10.4 | | 5.84 | 3.82 | 2.87 | 2.35 | 1.95 ● | | | | | |
| 150 | 9.67 | | | 5.28 ● | 3.93 ● | 3.23 ● | 2.66 | 1.95 | 1.61 | 1.32 | 0.96 | |
| 165 | 8.79 | | | 6.93 | 4.54 | 3.41 | 2.8 | 2.31 ● | | | | |
| 169 | 8.57 | | | | 5.72 ● | 4.25 ● | 3.50 ● | 2.88 | 2.11 | 1.75 | 1.43 | |
| 191 | 7.57 | | | | 6.18 | 4.60 | 3.79 | 3.12 | 2.28 | 1.89 | 1.55 | 1.13 |
| 198 | 7.34 | | | | 8.30 | 5.43 | 4.09 | 3.35 | 2.77 | 2.02 | 1.68 | 1.37 |
| 226 | 6.42 | | | | 9.49 | 6.21 | 4.67 | 3.83 | 3.17 | 2.31 | 1.92 | 1.57 |
| 257 | 5.65 | | | | | 6.96 | 5.22 | 4.28 | 3.54 | 2.58 | 2.14 | 1.75 |
| 290 | 4.99 | | | | | 7.39 ● | 5.49 ● | 4.52 ● | 3.72 | 2.72 | 2.26 | 1.84 |
| 327 | 4.43 | | | | | 7.61 ● | 5.65 ● | 4.66 ● | 3.83 | 2.80 | 2.32 | 1.90 |
| 371 | 3.91 | | | | | 8.48 | 6.30 | 5.19 | 4.27 | 3.12 | 2.59 | 2.12 |
| 391 | 3.71 | | | | | 8.72 | 6.48 | 5.33 | 4.39 | 3.21 | 2.66 | 2.18 |

4-pole LS, LSES and brake

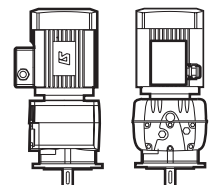
Three-phase 4-pole LS, LSES

| | | | | |
|-----------------|------|-----------|-----------|------------|
| LS FCR | 71 L | 80 L | 90 L | 100 L |
| LSES FCR | | 80 | 90 | 100 |

● MU obligatory

Selection example

| | |
|---|------------------------|
| Required power: | 1.5 kW |
| Required speed: | 84 min-1 |
| Duty factor required by the application: | Kp = 1 |
| Operating position; Mounting form: | V1 vertical; BS flange |
| Designation: Cb 3133 i: 17 BS S V1 - MI 4p LSES 90L 1.5 kW LS2/IE2 - 400 VY - U.G. | |



Electromechanical products Compabloc 3000

Selection

Classes
I, II, III
(kp = 1, 1.4, 2)

Cb 3233
LS, LSES, LS brake, LSES brake - IP 55 - CI. F
230 V/400 V Y 400 V Δ - 50 Hz - U.G.

| | |
|----------------------|-----------|
| Integral mounting | MI |
| Universal mounting | MU |
| Input shaft mounting | AP |

| | | Cb 3233 | | | | | | | | | | | | |
|----------------------------|---------|-----------------------------|------|--------|--------|--------|--------|--------|--------|--------|-------|------|------|-----|
| | | LS, LSES (kW) | | | | | | | | | | | | |
| | | 0.25 | 0.37 | 0.55 | 0.75 | 0.9 | 1.1 | 1.5 | 1.8 | 2.2 | 3 | 4 | 5.5 | |
| | | Three-phase 4-pole LS, LSES | | | | | | | | | | | | |
| min-1 | i exact | 71 | | | 80 | | | 90 | | | 100 | | 112 | 132 |
| 7.12 | 204 | 1.48 | 0.97 | | | | | | | | | | | |
| 8.31 | 174 | 1.72 | 1.14 | | | | | | | | | | | |
| 9.11 | 159 | 1.89 | 1.25 | 0.82 | | | | | | | | | | |
| 10.1 | 144 | 2.09 | 1.38 | 0.90 | | | | | | | | | | |
| 11.8 | 123 | 2.45 | 1.62 | 1.06 | 0.80 | | | | | | | | | |
| 13.3 | 109 | 2.75 | 1.82 | 1.19 | 0.89 | | | | | | | | | |
| 14.8 | 98.2 | 3.06 | 2.02 | 1.32 | 1.00 | 0.82 | | | | | | | | |
| 16.8 | 86.5 | 3.48 | 2.30 | 1.50 | 1.13 | 0.93 | | | | | | | | |
| 18.6 | 77.9 | 3.86 | 2.55 | 1.67 | 1.26 | 1.03 | 0.85 | | | | | | | |
| 21.1 | 68.6 | 4.38 | 2.90 | 1.89 | 1.43 | 1.17 | 0.97 | | | | | | | |
| 22.6 | 64.2 | 4.68 | 3.09 | 2.02 | 1.52 | 1.25 | 1.03 | | | | | | | |
| 26.0 | 55.7 | 5.40 | 3.57 | 2.33 | 1.76 | 1.44 | 1.19 | 0.87 | | | | | | |
| 28.9 | 50.2 | 5.93 | 3.92 | 2.56 | 1.93 | 1.58 | 1.31 | | | | | | | |
| 29.7 | 48.9 | | | 2.66 | 2.00 | 1.64 | 1.36 | 0.99 | 0.82 | | | | | |
| 33.7 | 43 | 6.91 | 4.56 | 2.99 | 2.25 | 1.84 | 1.52 | 1.11 | 0.92 | | | | | |
| 37.0 | 39.2 | 7.56 | 5.00 | 3.27 | 2.46 | 2.01 | 1.67 | 1.22 | 1.01 | 0.82 | | | | |
| 40.8 | 35.5 | 8.33 | 5.50 | 3.60 | 2.71 | 2.22 | 1.84 | 1.34 | 1.11 | 0.91 | | | | |
| 47.9 | 30.3 | 9.73 | 6.43 | 4.21 | 3.16 | 2.59 | 2.14 | 1.57 | 1.30 | 1.06 | | | | |
| 53.9 | 26.9 | | 7.21 | 4.72 | 3.55 | 2.91 | 2.40 | 1.76 | 1.45 | 1.19 | 0.87 | | | |
| 59.9 | 24.2 | | 8.00 | 5.24 | 3.94 | 3.23 | 2.67 | 1.95 | 1.61 | 1.32 | 0.97 | | | |
| 68.1 | 21.3 | | 9.06 | 5.93 | 4.46 | 3.65 | 3.02 | 2.21 | 1.83 | 1.50 | 1.09 | 0.83 | | |
| 75.6 | 19.2 | | 9.99 | 6.54 | 4.92 | 4.03 | 3.33 | 2.43 | 2.02 | 1.65 | 1.21 | 0.9 | | |
| 85.8 | 16.9 | | | 7.20 | 5.39 | 4.42 | 3.65 | 2.67 | 2.21 | 1.81 | 1.32 | 1.00 | | |
| 91.7 | 15.8 | | | 7.57 | 5.64 | 4.64 | 3.82 | 2.79 | 2.32 | 1.89 | 1.39 | 1.05 | | |
| 106 | 13.7 | | | 8.38 | 6.23 | 5.13 | 4.22 | 3.09 | 2.56 | 2.09 | 1.53 | 1.16 | 0.84 | |
| 120 | 12 | | | 9.12 | 6.79 | 5.59 | 4.60 | 3.36 | 2.79 | 2.28 | 1.67 | 1.26 | | |
| 133 | 10.9 | | | 9.77 • | 7.27 • | 5.98 • | 4.93 • | 3.60 • | 2.99 • | 2.44 • | 1.79 | 1.35 | | |
| 134 | 10.8 | | | 6.51 | 4.90 | 4.01 | 3.32 | 2.43 | 2.01 | 1.64 | | | | |
| 149 | 9.72 | | | 7.23 | 5.44 | 4.46 | 3.69 | 2.69 | 2.23 | 1.82 | | | | |
| 151 | 9.62 | | | | 7.86 • | 6.47 • | 5.32 • | 3.89 • | 3.23 • | 2.64 • | 1.93 | 1.46 | 1.06 | |
| 161 | 9.02 | | | | 8.22 • | 6.77 • | 5.57 • | 4.07 • | 3.38 • | 2.76 • | 2.02 | 1.52 | 1.11 | |
| 169 | 8.57 | | | 8.21 | 6.17 | 5.06 | 4.18 | 3.06 | 2.53 | 2.07 | | | | |
| 181 | 8.02 | | | 8.77 | 6.60 | 5.40 | 4.47 | 3.27 | 2.71 | 2.21 | | | | |
| 190 | 7.63 | | | | 9.13 • | 7.51 • | 6.19 | 4.52 | 3.75 | 3.07 | 2.24 | 1.69 | 1.23 | |
| 208 | 6.96 | | | | 7.61 | 6.23 | 5.15 | 3.77 | 3.12 | 2.55 | 1.86 | 1.41 | 1.02 | |
| 238 | 6.1 | | | | 8.67 | 7.10 | 5.87 | 4.29 | 3.55 | 2.91 | 2.13 | 1.61 | 1.17 | |
| 263 | 5.51 | | | | 9.6 • | 7.86 • | 6.50 • | 4.75 • | 3.93 • | 3.22 • | 2.35 | 1.78 | 1.29 | |
| 297 | 4.88 | | | | | 8.88 • | 7.35 • | 5.37 • | 4.45 • | 3.64 • | 2.66 | 2.02 | 1.46 | |
| 317 | 4.57 | | | | | 9.48 • | 7.84 • | 5.73 • | 4.74 • | 3.88 • | 2.84 | 2.15 | 1.56 | |
| 375 | 3.87 | | | | | | 9.26 | 6.77 | 5.6 | 4.59 | 3.35 | 2.54 | 1.84 | |
| 4-pole LS, LSES and brakes | | Three-phase 4-pole LS, LSES | | | | | | | | | | | | |
| LS FCR | | 71 L | | | 80 L | | | 90 L | | | 100 L | | 112 | 132 |
| LSES FCR | | | | | 80 | | | 90 | | | 100 | | 112 | 132 |

• MU obligatory



Selection example:

| | |
|--|---|
| Required power: | 0.75 kW |
| Required speed: | 20 min-1 |
| Duty factor required by the application: | Kp = 1 |
| Operating position; Mounting form: | Horizontal B5; BS flange |
| Designation: | Cb 3233 i: 77.9 BS S B5 - MI 4p LSES 80LG 0.75 kW LS2/IE2 - 400 VY - U.G. |

Electromechanical products Compabloc 3000

Selection

Classes
I, II, III
(kp = 1, 1.4, 2)

Cb 3333
LS, LSES, LS brake, LSES brake - IP 55 - CI. F
230 V/400 V Y 400 V Δ - 50 Hz - U.G.

| | |
|----------------------|-----------|
| Integral mounting | MI |
| Universal mounting | MU |
| Input shaft mounting | AP |

Cb 3333

| | | LS, LSES (kW) | | | | | | | | | | | | | |
|-------|---------|-----------------------------|------|--------|--------|--------|--------|--------|--------|--------|--------|--------|------|------|------|
| | | 0.25 | 0.37 | 0.55 | 0.75 | 0.9 | 1.1 | 1.5 | 1.8 | 2.2 | 3 | 4 | 5.5 | 7.5 | 9 |
| | | Three-phase 4-pole LS, LSES | | | | | | | | | | | | | |
| min-1 | i exact | 71 | | | 80 | | | 90 | | | 100 | | 112 | 132 | |
| 7.23 | 200 | 2.75 | 1.81 | 1.19 | 0.89 | | | | | | | | | | |
| 8.01 | 181 | 3.04 | 2.01 | 1.31 | 0.99 | 0.81 | | | | | | | | | |
| 8.95 | 162 | 3.40 | 2.24 | 1.47 | 1.10 | 0.90 | | | | | | | | | |
| 10.3 | 141 | 3.91 | 2.58 | 1.69 | 1.27 | 1.04 | 0.86 | | | | | | | | |
| 11.6 | 125 | 4.42 | 2.92 | 1.91 | 1.44 | 1.18 | 0.97 | | | | | | | | |
| 12.7 | 114 | 4.81 | 3.17 | 2.08 | 1.56 | 1.28 | 1.06 | | | | | | | | |
| 14.3 | 101 | 5.44 | 3.59 | 2.35 | 1.77 | 1.45 | 1.20 | 0.88 | | | | | | | |
| 16.1 | 90.1 | 6.11 | 4.03 | 2.64 | 1.99 | 1.63 | 1.35 | 0.98 | 0.81 | | | | | | |
| 17.9 | 80.9 | 6.81 | 4.49 | 2.94 | 2.21 | 1.81 | 1.50 | 1.10 | 0.91 | | | | | | |
| 19.5 | 74.4 | 7.39 | 4.88 | 3.20 | 2.40 | 1.97 | 1.63 | 1.19 | 0.99 | 0.81 | | | | | |
| 21.9 | 66.1 | 8.33 | 5.50 | 3.60 | 2.71 | 2.22 | 1.83 | 1.34 | 1.11 | 0.91 | | | | | |
| 25.2 | 57.6 | | | 4.13 | 3.11 | 2.54 | 2.11 | 1.54 | 1.27 | 1.04 | | | | | |
| 27.8 | 52.1 | | | 4.57 ● | 3.43 ● | 2.81 ● | 2.33 ● | 1.70 ● | 1.41 ● | 1.15 ● | 0.84 | | | | |
| 29.8 | 48.7 | | | 7.13 | 4.67 | 3.51 | 2.88 | 2.38 | 1.74 | 1.44 | 1.18 | | | | |
| 33.0 | 44 | | | 7.89 | 5.17 | 3.89 | 3.18 | 2.63 | 1.92 | 1.59 | 1.30 | | | | |
| 36.8 | 39.4 | | | 8.82 | 5.77 | 4.34 | 3.56 | 2.94 | 2.15 | 1.78 | 1.46 | 1.06 | 0.81 | | |
| 42.4 | 34.2 | | | 6.65 | 5.00 | 4.10 | 3.39 | 2.48 | 2.05 | 1.68 | 1.23 | 0.93 | | | |
| 48.0 | 30.2 | | | 7.51 | 5.65 | 4.63 | 3.83 | 2.80 | 2.32 | 1.90 | 1.39 | 1.05 | | | |
| 52.2 | 27.8 | | | 8.17 | 6.15 | 5.03 | 4.17 | 3.04 | 2.52 | 2.06 | 1.51 | 1.14 | 0.83 | | |
| 59.0 | 24.6 | | | 9.25 | 6.96 | 5.70 | 4.72 | 3.5 | 2.85 | 2.33 | 1.71 | 1.29 | 0.94 | | |
| 66.3 | 21.9 | | | | 7.81 | 6.40 | 5.29 | 3.87 | 3.20 | 2.62 | 1.91 | 1.45 | 1.05 | | |
| 73.8 | 19.6 | | | | 8.70 | 7.13 | 5.90 | 4.31 | 3.57 | 2.92 | 2.13 | 1.62 | 1.17 | 0.86 | |
| 80.2 | 18.1 | | | | 9.45 | 7.74 | 6.41 | 4.68 | 3.88 | 3.17 | 2.32 | 1.76 | 1.27 | 0.94 | |
| 90.3 | 16.1 | | | | | 8.72 | 7.21 | 5.27 | 4.36 | 3.57 | 2.61 | 1.98 | 1.43 | 1.06 | |
| 104 | 14 | | | | | | 8.28 | 6.05 | 5.01 | 4.10 | 3.00 | 2.27 | 1.64 | 1.21 | |
| 115 | 12.7 | | | | | | 9.12 ● | 6.66 ● | 5.52 ● | 4.51 ● | 3.30 | 2.50 | 1.81 | 1.34 | |
| 116 | 12.5 | | | 9.25 | 6.96 | 5.70 | 4.72 | 3.45 | 2.85 | 2.33 | | | | | |
| 131 | 11.1 | | | | 7.81 | 6.40 | 5.29 | 3.87 | 3.20 | 2.62 | | | | | |
| 132 | 11 | | | | | | 9.94 ● | 7.26 ● | 6.02 ● | 4.92 ● | 3.60 | 2.72 | 1.97 | 1.45 | |
| 145 | 9.98 | | | | | | | 7.95 ● | 6.59 ● | 5.39 ● | 3.94 ● | 2.98 ● | 2.16 | 1.59 | |
| 146 | 9.95 | | | | 8.70 | 7.13 | 5.90 | 4.31 | 3.57 | 2.92 | 2.13 | 1.62 | | | |
| 158 | 9.16 | | | | 9.45 | 7.74 | 6.41 | 4.68 | 3.88 | 3.17 | | | | | |
| 160 | 9.06 | | | | | | | 8.51 | 7.06 | 5.77 | 4.22 | 3.19 | 2.31 | 1.70 | |
| 178 | 8.14 | | | | | 8.72 | 7.21 | 5.27 | 4.36 | 3.57 | 2.61 | 1.98 | | | |
| 185 | 7.85 | | | | | | | 9.33 | 7.74 | 6.33 | 4.63 | 3.49 | 2.53 | 1.86 | |
| 205 | 7.09 | | | | | | | 8.28 | 6.05 | 5.01 | 4.10 | 3.00 | 2.27 | 1.64 | 1.21 |
| 226 | 6.41 | | | | | | | 9.15 ● | 6.69 ● | 5.54 ● | 4.53 ● | 3.31 | 2.51 | 1.82 | 1.34 |
| 259 | 5.59 | | | | | | | 7.68 ● | 6.35 ● | 5.20 ● | 3.80 | 2.88 | 2.09 | 1.54 | |
| 287 | 5.06 | | | | | | | 8.48 ● | 7.02 ● | 5.74 ● | 4.20 ● | 3.18 ● | 2.30 | 1.70 | |
| 316 | 4.59 | | | | | | | 9.35 | 7.74 | 6.33 | 4.63 | 3.51 | 2.54 | 1.87 | |
| 364 | 3.98 | | | | | | | | 8.93 | 7.30 | 5.34 | 4.05 | 2.93 | 2.16 | |

4-pole LS, LSES and brake

Three-phase 4-pole LS, LSES

| LS FCR | 71 L | 80 L | 90 L | 100 L | 112 | 132 |
|----------|------|-----------|-----------|------------|------------|------------|
| LSES FCR | | 80 | 90 | 100 | 112 | 132 |

● MU obligatory

Selection example

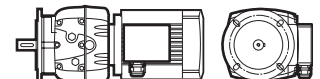
Required power: 4 kW

Required speed: 47 min-1

Duty factor required by the application: Kp = 1

Operating position; Mounting form: Horizontal B52; BS flange

Designation: Cb 3333 i: 30.2 BS S B52 - MI 4p LSES 112MU 4 kW LS2/IE2 - 400 VY - U.G.



Electromechanical products Compabloc 3000

Selection

Classes
I, II, III
(kp = 1, 1.4, 2)

Cb 3433
LSES, LS brake, LSES brake - IP 55 - Cl. F
230 V/400 V Y 400 V Δ - 50 Hz - U.G.

Integral mounting **MI**

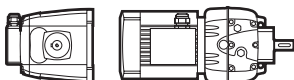
Universal mounting **MU**

Input shaft mounting **AP**

Cb 3433

| | | LSES (kW) | | | | | | | | | | | | | | | |
|-----------------------------------|---------|------------------------------------|--------|-------|------|------|--------|--------|--------|------|------|------|------|------|------|------|--------|
| | | 0.75 | 0.9 | 1.1 | 1.5 | 1.8 | 2.2 | 3 | 4 | 5.5 | 7.5 | 9 | 11 | 15 | 18.5 | 22 | 30 |
| | | Three-phase 4-pole LSES | | | | | | | | | | | | | | | |
| min-1 | i exact | 80 | 90 | 100 | 112 | 132 | 160 | 180 | 200 | | | | | | | | |
| 7.11 | 204 | 1.72 | 1.40 | 1.16 | 0.85 | | | | | | | | | | | | |
| 8.43 | 172 | 2.03 | 1.66 | 1.37 | 1.00 | 0.83 | | | | | | | | | | | |
| 9.36 | 155 | 2.26 | 1.85 | 1.53 | 1.11 | 0.92 | | | | | | | | | | | |
| 10.3 | 140 | 2.49 | 2.04 | 1.68 | 1.23 | 1.02 | 0.83 | | | | | | | | | | |
| 11.2 | 129 | 2.70 | 2.21 | 1.82 | 1.33 | 1.10 | 0.90 | | | | | | | | | | |
| 13.1 | 111 | 3.13 | 2.56 | 2.12 | 1.55 | 1.28 | 1.05 | | | | | | | | | | |
| 14 | 104 | 3.36 • | 2.75 • | 2.27 | 1.66 | 1.37 | 1.12 | 0.82 | | | | | | | | | |
| 16.0 | 90.7 | 3.82 • | 3.13 • | 2.59 | 1.89 | 1.56 | 1.28 | 0.93 | | | | | | | | | |
| 18.1 | 80.1 | 4.32 • | 3.53 • | 2.92 | 2.13 | 1.76 | 1.44 | 1.05 | 0.80 | | | | | | | | |
| 20.3 | 71.4 | 4.84 • | 3.96 • | 3.27 | 2.39 | 1.98 | 1.62 | 1.18 | 0.90 | | | | | | | | |
| 22.7 | 63.9 | 5.39 • | 4.41 • | 3.64 | 2.66 | 2.20 | 1.80 | 1.32 | 1.00 | | | | | | | | |
| 26.5 | 54.7 | 6.27 • | 5.13 • | 4.24 | 3.10 | 2.56 | 2.10 | 1.53 | 1.16 | 0.84 | | | | | | | |
| 28.8 | 50.3 | 6.74 | 5.51 | 4.56 | 3.33 | 2.75 | 2.25 | 1.65 | 1.25 | | | | | | | | |
| 34.2 | 42.5 | 7.95 | 6.51 | 5.38 | 3.93 | 3.25 | 2.66 | 1.94 | 1.47 | | | | | | | | |
| 37.9 | 38.2 | 8.81 | 7.21 | 5.96 | 4.35 | 3.60 | 2.94 | 2.15 | 1.63 | 1.18 | 0.87 | | | | | | |
| 41.9 | 34.6 | 9.70 | 7.94 | 6.56 | 4.79 | 3.97 | 3.24 | 2.37 | 1.80 | 1.30 | 0.96 | | | | | | |
| 45.5 | 31.9 | | 8.60 | 7.11 | 5.19 | 4.29 | 3.51 | 2.57 | 1.94 | 1.41 | 1.04 | | | | | | |
| 52.9 | 27.4 | | 9.96 | 8.23 | 6.01 | 4.98 | 4.07 | 2.97 | 2.25 | 1.63 | 1.20 | 1.00 | 0.82 | | | | |
| 56.8 | 25.5 | | | 8.82 | 6.44 | 5.33 | 4.36 | 3.18 | 2.41 | 1.75 | 1.29 | 1.07 | 0.88 | | | | |
| 64.8 | 22.4 | | | | 7.32 | 6.06 | 4.95 | 3.62 | 2.74 | 1.99 | 1.46 | 1.22 | 1.00 | | | | |
| 73.3 | 19.8 | | | | 8.25 | 6.83 | 5.58 | 4.08 | 3.09 | 2.24 | 1.65 | 1.38 | 1.12 | 0.82 | | | |
| 82.4 | 17.6 | | | | 9.22 | 7.63 | 6.24 | 4.56 | 3.46 | 2.50 | 1.84 | 1.54 | 1.26 | 0.92 | | | |
| 91.9 | 15.8 | | | | | 8.49 | 6.94 | 5.07 | 3.84 | 2.78 | 2.05 | 1.71 | 1.40 | 1.02 | 0.83 | | |
| 107 | 13.5 | | | | | 9.86 | 8.06 | 5.89 | 4.46 | 3.23 | 2.38 | 1.99 | 1.62 | 1.19 | 0.96 | 0.81 | |
| 119 | 12.2 | | | | | | 8.86 • | 6.48 • | 4.90 • | 3.55 | 2.62 | 2.18 | 1.78 | 1.31 | 1.06 | 0.89 | |
| 134 | 10.8 | | | | | | 9.77 • | 7.14 • | 5.40 • | 3.91 | 2.88 | 2.40 | 1.96 | 1.44 | 1.17 | 0.98 | |
| 150 | 9.67 | | | | | | | 7.72 • | 5.83 • | 4.22 | 3.11 | 2.59 | 2.12 | 1.55 | 1.26 | 1.06 | |
| 169 | 8.6 | | | | | | | 8.31 • | 6.28 • | 4.55 | 3.35 | 2.79 | 2.28 | 1.67 | 1.35 | 1.14 | 0.84 • |
| 188 | 7.69 | | | | | | | 8.04 • | 6.09 • | 4.41 | 3.25 | 2.71 | 2.21 | 1.62 | 1.31 | 1.10 | 0.81 • |
| 211 | 6.86 | | | | | | 9.73 | 7.11 | 5.38 | 3.90 | 2.87 | 2.40 | 1.96 | 1.43 | 1.16 | 0.98 | |
| 233 | 6.21 | | | | | | | 7.59 • | 5.74 • | 4.16 | 3.06 | 2.56 | 2.09 | 1.53 | 1.24 | 1.04 | |
| 265 | 5.48 | | | | | | | 7.41 • | 5.61 • | 4.06 | 2.99 | 2.50 | 2.04 | 1.49 | 1.21 | 1.02 | |
| 295 | 4.91 | | | | | | | 8.73 • | 6.61 • | 4.79 | 3.53 | 2.94 | 2.40 | 1.76 | 1.43 | 1.20 | 0.88 • |
| 332 | 4.37 | | | | | | | 8.63 • | 6.53 • | 4.73 | 3.48 | 2.91 | 2.38 | 1.74 | 1.41 | 1.18 | 0.87 • |
| 371 | 3.91 | | | | | | | 8.04 • | 6.09 • | 4.41 | 3.25 | 2.71 | 2.21 | 1.62 | 1.31 | 1.10 | 0.81 • |
| 4-pole LS, LSES and brakes | | Three-phase 4-pole LS, LSES | | | | | | | | | | | | | | | |
| LS FCR | | 80 L | 90 L | 100 L | 112 | 132 | 160 | | | | | | | | | | |
| LSES FCR | | 80 | 90 | 100 | 112 | 132 | 160 | | | | | | | | | | |
| LS, LSES FCPL | | | | | | | 160 | 180 | 200 | | | | | | | | |

• MU obligatory



Selection example

Required power: 4 kW
 Required speed: 28 min-1
 Duty factor required by the application: Kp = 1
 Operating position; Mounting form: Horizontal B7; foot mounted
 Designation: Cb 3433 i: 50.3 S S B7 - MI 4p LSES 112MU LS2/IE2 4 kW - 400 VY - U.G.

Electromechanical products Compabloc 3000

Selection

Classes
I, II, III
(kp = 1, 1.4, 2)

Cb 3533
LSES, LS brake, LSES brake - IP 55 - Cl. F
230 V/400 V Y 400 V Δ - 50 Hz - U.G.

Integral mounting **MI**

Universal mounting **MU**

Input shaft mounting **AP**

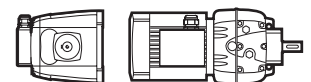
Cb 3533

| | | LSES (kW) | | | | | | | | | | | | | | | |
|----------------------------|---------|-----------------------------|--------|--------|--------|--------|--------|--------|--------|------|------|------|------|------|------|------|------|
| | | 0.75 | 0.9 | 1.1 | 1.5 | 1.8 | 2.2 | 3 | 4 | 5.5 | 7.5 | 9 | 11 | 15 | 18.5 | 22 | 30 |
| | | Three-phase 4-pole LSES | | | | | | | | | | | | | | | |
| min-1 | i exact | 80 | 90 | 100 | 112 | 132 | 160 | 180 | 200 | | | | | | | | |
| 7.2 | 201 | 3.32 • | 2.72 • | 2.24 | 1.64 | 1.35 | 1.11 | 0.81 | | | | | | | | | |
| 8.39 | 173 | 3.86 • | 3.16 • | 2.61 | 1.90 | 1.57 | 1.29 | 0.94 | | | | | | | | | |
| 9.13 | 159 | 4.19 • | 3.43 • | 2.83 | 2.07 | 1.71 | 1.40 | 1.02 | | | | | | | | | |
| 10.5 | 138 | 4.80 • | 3.93 • | 3.25 | 2.37 | 1.96 | 1.60 | 1.17 | 0.89 | | | | | | | | |
| 11.9 | 122 | 5.44 • | 4.45 • | 3.67 | 2.68 | 2.22 | 1.81 | 1.32 | 1.00 | | | | | | | | |
| 13.2 | 110 | 6.05 • | 4.94 • | 4.08 | 2.98 | 2.46 | 2.02 | 1.47 | 1.11 | 0.81 | | | | | | | |
| 14.9 | 97.5 | 6.78 • | 5.54 • | 4.58 | 3.34 | 2.76 | 2.26 | 1.65 | 1.25 | 0.90 | | | | | | | |
| 16.2 | 89.3 | 7.39 • | 6.04 • | 4.99 • | 3.64 • | 3.01 • | 2.46 • | 1.80 | 1.36 | 0.99 | | | | | | | |
| 18.8 | 77.2 | 8.52 • | 6.97 • | 5.75 • | 4.2 • | 3.47 • | 2.84 • | 2.07 | 1.57 | 1.14 | 0.84 | | | | | | |
| 20.8 | 69.8 | 9.10 • | 7.46 • | 6.15 • | 4.49 • | 3.71 • | 3.04 • | 2.22 | 1.68 | 1.21 | 0.89 | | | | | | |
| 23.6 | 61.4 | 9.90 • | 8.13 • | 6.69 • | 4.88 • | 4.04 • | 3.30 • | 2.41 • | 1.82 • | 1.32 | 0.97 | 0.81 | | | | | |
| 25.6 | 56.6 | | 8.52 • | 7.00 • | 5.11 • | 4.23 • | 3.46 • | 2.53 • | 1.91 • | 1.38 | 1.02 | 0.85 | | | | | |
| 29.2 | 49.7 | | | 8.76 | 6.39 | 5.29 | 4.32 | 3.16 | 2.39 | 1.73 | 1.28 | | | | | | |
| 34.0 | 42.7 | | | | 7.41 | 6.13 | 5.02 | 3.66 | 2.77 | 2.01 | 1.48 | | | | | | |
| 37.0 | 39.2 | | | | 8.05 | 6.66 | 5.44 | 3.98 | 3.01 | 2.18 | 1.61 | | | | | | |
| 42.4 | 34.2 | | | | 9.20 | 7.61 | 6.22 | 4.55 | 3.44 | 2.49 | 1.84 | 1.53 | 1.25 | 0.92 | | | |
| 48.1 | 30.1 | | | | | 8.60 | 7.03 | 5.13 | 3.89 | 2.81 | 2.07 | 1.73 | 1.41 | 1.03 | 0.84 | | |
| 53.6 | 27.1 | | | | | 9.55 | 7.80 | 5.70 | 4.32 | 3.12 | 2.30 | 1.92 | 1.57 | 1.15 | 0.93 | | |
| 60.2 | 24.1 | | | | | | 8.73 | 6.38 | 4.83 | 3.50 | 2.58 | 2.15 | 1.76 | 1.28 | 1.04 | 0.88 | |
| 65.7 | 22.1 | | | | | | 9.50 • | 6.94 | 5.26 | 3.80 | 2.80 | 2.34 | 1.91 | 1.40 | 1.13 | 0.95 | |
| 76.0 | 19.1 | | | | | | | 7.56 | 5.73 | 4.14 | 3.05 | 2.55 | 2.08 | 1.52 | 1.24 | 1.04 | |
| 84.1 | 17.2 | | | | | | | 8.78 | 6.65 | 4.81 | 3.55 | 2.96 | 2.42 | 1.77 | 1.43 | 1.20 | 0.89 |
| 95.6 | 15.2 | | | | | | | 9.61 • | 7.27 • | 5.27 | 3.88 | 3.24 | 2.64 | 1.93 | 1.57 | 1.32 | 0.97 |
| 104 | 14 | | | | | | | | 7.66 • | 5.55 | 4.09 | 3.41 | 2.79 | 2.04 | 1.65 | 1.39 | 1.02 |
| 117 | 12.4 | | | | | | | | 8.46 • | 6.12 | 4.51 | 3.76 | 3.08 | 2.25 | 1.82 | 1.53 | 1.13 |
| 131 | 11.1 | | | | | | | | 9.04 • | 6.55 | 4.82 | 4.02 | 3.29 | 2.41 | 1.95 | 1.64 | 1.21 |
| 146 | 9.94 | | | | | | | | | | | 4.44 | 3.63 | 2.65 | 2.15 | 1.81 | 1.33 |
| 160 | 9.07 | | | | | | | | | | | 4.71 | 3.85 | 2.82 | 2.29 | 1.92 | 1.41 |
| 183 | 7.92 | | | | | | | | | | | 5.15 | 4.21 | 3.08 | 2.50 | 2.10 | 1.54 |
| 202 | 7.18 | | | | | | | | 7.66 • | 5.55 | 4.09 | 3.41 | 2.79 | 2.04 | 1.65 | 1.39 | 1.02 |
| 227 | 6.38 | | | | | | | | 8.46 • | 6.13 | 4.51 | 3.76 | 3.08 | 2.25 | 1.83 | 1.53 | 1.13 |
| 255 | 5.7 | | | | | | | | 9.04 • | 6.54 | 4.82 | 4.02 | 3.29 | 2.40 | 1.95 | 1.64 | 1.21 |
| 284 | 5.1 | | | | | | | | | | | 5.28 | 4.31 | 3.16 | 2.56 | 2.15 | 1.58 |
| 311 | 4.66 | | | | | | | | | | | 5.55 | 4.53 | 3.32 | 2.69 | 2.26 | 1.66 |
| 356 | 4.07 | | | | | | | | | | | 5.94 | 4.86 | 3.55 | 2.88 | 2.42 | 1.78 |
| 4-pole LS, LSES and brakes | | Three-phase 4-pole LS, LSES | | | | | | | | | | | | | | | |
| LS FCR | | 80 L | 90 L | 100 L | 112 | 132 | 160 | | | | | | | | | | |
| LSES FCR | | 80 | 90 | 100 | 112 | 132 | 160 | | | | | | | | | | |
| LS, LSES FCPL | | | | | | | 160 | 180 | 200 | | | | | | | | |

• MU obligatory

Selection example

Required power: 15 kW
 Required speed: 60 min-1
 Duty factor required by the application: Kp = 1
 Operating position; Mounting form: Horizontal B7; foot mounting
Designation: Cb 3533 i: 24.1 S S B7 - MI 4p LSES 160L 15 kW LS2/IE2 - 400 VA - U.G.



Electromechanical products Compabloc 3000

Selection

Classes
I, II, III
(kp = 1, 1.4, 2)

Cb 3633
LSES, LS brake, LSES brake - IP 55 - Cl. F
230 V/400 V Y 400 V Δ - 50 Hz - U.G.

Integral mounting **MI**

Universal mounting **MU**

Input shaft mounting **AP**

Cb 3633

| | | LSES (kW) | | | | | | | | | | | | | | | | |
|-------|---------|-------------------------|------|------|--------|--------|--------|--------|--------|------|---------|--------|--------|--------|--------|--------|--------|-----------------|
| | | 1.1 | 1.5 | 1.8 | 2.2 | 3 | 4 | 5.5 | 7.5 | 9 | 11 | 15 | 18.5 | 22 | 30 | 37 | 45 | 55 ¹ |
| | | Three-phase 4-pole LSES | | | | | | | | | | | | | | | | |
| min-1 | i exact | 90 | 100 | 112 | 132 | 160 | 180 | 200 | 225 | 250 | | | | | | | | |
| 5.8 | 252 | 2.56 | 1.86 | 1.54 | 1.26 | 0.92 | | | | | | | | | | | | |
| 6.7 | 216 | 2.98 | 2.17 | 1.79 | 1.47 | 1.07 | 0.81 | | | | | | | | | | | |
| 7.3 | 199 | 3.24 | 2.36 | 1.95 | 1.60 | 1.17 | 0.88 | | | | | | | | | | | |
| 8.4 | 173 | 3.72 | 2.71 | 2.24 | 1.83 | 1.34 | 1.02 | | | | | | | | | | | |
| 9.5 | 153 | 4.22 | 3.08 | 2.56 | 2.08 | 1.52 | 1.15 | 0.83 | | | | | | | | | | |
| 10.6 | 137 | 4.69 | 3.42 | 2.85 | 2.32 | 1.69 | 1.28 | 0.93 | | | | | | | | | | |
| 11.9 | 122 | 5.26 | 3.84 | 3.20 | 2.60 | 1.90 | 1.44 | 1.04 | | | | | | | | | | |
| 12.9 | 112 | | | | 2.83 ● | 2.07 | 1.56 | 1.13 | 0.83 | | | | | | | | | |
| 15.0 | 96.6 | | | | 3.26 ● | 2.38 | 1.80 | 1.31 | 0.96 | 0.80 | | | | | | | | |
| 16.6 | 87.3 | | | | 3.60 ● | 2.63 | 1.99 | 1.44 | 1.06 | 0.89 | | | | | | | | |
| 18.9 | 76.9 | | | | 4.08 ● | 2.98 ● | 2.26 ● | 1.63 | 1.20 | 1.00 | 0.82 | | | | | | | |
| 20.5 | 70.8 | | | | 4.42 ● | 3.23 ● | 2.44 ● | 1.77 | 1.30 | 1.09 | 0.89 | | | | | | | |
| 23.0 | 63 | | | | 4.96 ● | 3.62 ● | 2.74 ● | 1.98 | 1.46 | 1.22 | 1.00 | | | | | | | |
| 25.8 | 56.2 | | | | 5.54 ● | 4.04 ● | 3.06 ● | 2.22 | 1.63 | 1.36 | 1.11 | 0.81 | | | | | | |
| 28.8 | 50.4 | | | | 6.16 ● | 4.50 ● | 3.41 ● | 2.47 ● | 1.82 ● | 1.52 | 1.24 | 0.91 | | | | | | |
| 33.9 | 42.8 | | | | 6.80 | 4.97 | 3.75 | 2.72 | 2.00 | 1.67 | 1.36 | 1.00 | 0.81 | | | | | |
| 37.2 | 39 | | | | 7.83 | 5.72 | 4.33 | 3.13 | 2.31 | 1.93 | 1.57 | 1.15 | 0.93 | | | | | |
| 42.0 | 34.5 | | | | 8.75 | 6.39 | 4.84 | 3.50 | 2.58 | 2.15 | 1.76 | 1.29 | 1.04 | 0.88 | | | | |
| 46.6 | 31.1 | | | | 9.60 ● | 7.01 | 5.30 | 3.84 | 2.83 | 2.36 | 1.93 | 1.41 | 1.14 | 0.96 | | | | |
| 52.3 | 27.7 | | | | | 7.76 | 5.87 | 4.25 | 3.13 | 2.61 | 2.13 | 1.56 | 1.27 | 1.06 | | | | |
| 56.9 | 25.5 | | | | | 8.35 | 6.31 | 4.57 | 3.37 | 2.81 | 2.29 | 1.68 | 1.36 | 1.14 | | | | |
| 66.2 | 21.9 | | | | | 9.54 ● | 7.21 ● | 5.22 | 3.85 | 3.21 | 2.62 | 1.92 | 1.56 | 1.31 | 0.96 | | | |
| 72.5 | 20 | | | | | | 7.78 ● | 5.63 | 4.15 | 3.46 | 2.83 | 2.07 | 1.68 | 1.41 | 1.04 | 0.84 | | |
| 81.9 | 17.7 | | | | | | 8.66 ● | 6.27 | 4.62 | 3.85 | 3.15 | 2.30 | 1.87 | 1.57 | 1.15 | 0.94 | | |
| 96.0 | 15.1 | | | | | | 9.95 ● | 7.20 | 5.30 | 4.42 | 3.62 | 2.65 | 2.15 | 1.80 | 1.33 | 1.08 | 0.89 | |
| 107 | 13.5 | | | | | | | 7.98 | 5.88 | 4.90 | 4.01 | 2.93 | 2.38 | 2.00 | 1.47 | 1.20 | 0.98 | 0.81 ● |
| 120 | 12.1 | | | | | | | | | 5.40 | 4.41 | 3.23 | 2.62 | 2.20 | 1.62 | 1.32 | 1.08 | 0.89 ● |
| 133 | 10.9 | | | | | | | | | 5.90 | 4.82 | 3.53 | 2.86 | 2.40 | 1.77 | 1.44 | 1.18 | 0.97 ● |
| 151 | 9.63 | | | | | | | | | 6.58 | 5.38 | 3.94 | 3.19 | 2.68 | 1.97 | 1.61 | 1.32 | 1.09 ● |
| 170 | 8.53 | | | | | | | | | 7.33 | 5.99 | 4.38 | 3.56 | 2.99 | 2.20 | 1.79 | 1.47 | 1.21 ● |
| 190 | 7.62 | | | | | | | | | 8.10 | 6.62 | 4.84 | 3.93 | 3.30 | 2.43 | 1.98 | 1.63 | 1.34 ● |
| 203 | 7.15 | | | | | | | | | | 7.00 ● | 5.12 ● | 4.15 ● | 3.49 ● | 2.57 | 2.09 | 1.72 | 1.42 ● |
| 236 | 6.15 | | | | | | | | | | 7.73 ● | 5.66 ● | 4.59 ● | 3.85 ● | 2.83 ● | 2.30 ● | 1.90 ● | 1.56 ● |
| 261 | 5.56 | | | | | | | | | | 8.36 ● | 6.12 ● | 4.96 ● | 4.17 ● | 3.06 ● | 2.49 ● | 2.05 ● | 1.69 ● |
| 295 | 4.91 | | | | | | | | | | 9.18 ● | 6.72 ● | 5.45 ● | 4.57 ● | 3.36 ● | 2.74 ● | 2.25 ● | 1.85 ● |
| 334 | 4.34 | | | | | | | | | | 10.04 ● | 7.35 ● | 5.96 ● | 5.00 ● | 3.68 ● | 3.00 ● | 2.47 ● | 2.03 ● |
| 374 | 3.88 | | | | | | | | | | 10.12 ● | 7.40 ● | 6.00 ● | 5.04 ● | 3.71 ● | 3.02 ● | 2.49 ● | 2.05 ● |
| 398 | 3.64 | | | | | | | | | | 9.49 ● | 6.94 ● | 5.63 ● | 4.73 ● | 3.48 ● | 2.83 ● | 2.33 ● | 1.92 ● |
| 452 | 3.21 | | | | | | | | | | 9.37 ● | 6.86 ● | 5.56 ● | 4.67 ● | 3.44 ● | 2.80 ● | 2.30 ● | 1.90 ● |

| 4-pole LS, LSES and brakes | | Three-phase 4-pole LS, LSES | | | | |
|----------------------------|------|-----------------------------|-----|-----|-----|---------------------|
| LS FCR | 90 L | 100 L | 112 | 132 | 160 | |
| LSES FCR | 90 | 100 | 112 | 132 | 160 | |
| LS, LSES FCPL | | | | | | 160 180 200 225 250 |

1. LS B35 obligatory

● MU obligatory



Selection example

Required power: 37 kW
 Required speed: 105 min-1
 Duty factor required by the application: Kp = 1
 Operating position; Mounting form: Horizontal B7; foot mounted
 Designation: Cb 3633 i: 13.5 S S B7 - MI 4p LSES 225ST 37 kW LS2/IE2 - 400 VA - U.G.

Electromechanical products Compabloc 3000

Selection

Classes
I, II, III
(kp = 1, 1.4, 2)

Cb 3733
LSES IE2, LS IE1 brake, LSES brake - IP 55 - CI. F
230 V/400 V Y 400 V Δ - 50 Hz - U.G.

| | |
|----------------------|-----------|
| Integral mounting | MI |
| Universal mounting | MU |
| Input shaft mounting | AP |

| | | Cb 3733 | | | | | | | | | | | | | | | | | |
|-------------------|---------|-------------------------|------|------|--------|--------|--------|------|------|--------|--------|--------|--------|------|------|--------|--------|--------|--------|
| | | LSES (kW) | | | | | | | | | | | | | | | | | |
| | | 1.1 | 1.5 | 1.8 | 2.2 | 3 | 4 | 5.5 | 7.5 | 9 | 11 | 15 | 18.5 | 22 | 30 | 37 | 45 | 55' | 75' |
| | | Three-phase 4-pole LSES | | | | | | | | | | | | | | | | | |
| min ⁻¹ | i exact | 90 | 100 | 112 | 132 | 160 | 180 | 200 | 225 | 250 | 280 | | | | | | | | |
| 5.9 | 244 | 6.07 | 4.43 | 3.70 | 2.99 | 2.18 | 1.65 | 1.20 | 0.88 | | | | | | | | | | |
| 6.7 | 217 | 6.82 | 4.97 | 4.14 | 3.36 | 2.45 | 1.86 | 1.34 | 0.99 | 0.83 | | | | | | | | | |
| 7.3 | 198 | 7.48 | 5.45 | 4.54 | 3.68 | 2.69 | 2.04 | 1.47 | 1.09 | 0.91 | | | | | | | | | |
| 8.3 | 175 | 8.46 | 6.17 | 5.14 | 4.17 | 3.04 | 2.30 | 1.67 | 1.23 | 1.03 | 0.84 | | | | | | | | |
| 9.2 | 158 | | | | 4.63 ● | 3.38 | 2.56 | 1.85 | 1.36 | 1.14 | 0.93 | | | | | | | | |
| 10.3 | 141 | | | | 5.19 ● | 3.79 | 2.87 | 2.08 | 1.53 | 1.28 | 1.04 | | | | | | | | |
| 11.2 | 129 | | | | 5.63 ● | 4.11 | 3.11 | 2.25 | 1.66 | 1.38 | 1.13 | 0.83 | | | | | | | |
| 13.1 | 111 | | | | 6.54 ● | 4.78 ● | 3.62 ● | 2.62 | 1.93 | 1.61 | 1.31 | 0.96 | | | | | | | |
| 14.2 | 102 | | | | 7.12 ● | 5.20 ● | 3.94 ● | 2.85 | 2.10 | 1.75 | 1.43 | 1.05 | 0.85 | | | | | | |
| 16.1 | 89.9 | | | | 8.03 ● | 5.86 ● | 4.44 ● | 3.21 | 2.37 | 1.97 | 1.61 | 1.18 | 0.96 | 0.80 | | | | | |
| 18.9 | 76.8 | | | | 9.29 ● | 6.78 ● | 5.13 ● | 3.71 | 2.74 | 2.28 | 1.86 | 1.36 | 1.11 | 0.93 | | | | | |
| 21.2 | 68.3 | | | | | 7.32 ● | 5.53 ● | 4.00 | 2.95 | 2.46 | 2.01 | 1.47 | 1.19 | 1.00 | | | | | |
| 23.7 | 61.2 | | | | | | | | 2.63 | 2.15 | 1.57 | 1.27 | 1.07 | | | | | | |
| 26.2 | 55.4 | | | | | | | | 2.78 | 2.27 | 1.66 | 1.35 | 1.13 | 0.83 | | | | | |
| 29.7 | 48.8 | | | | | | | | 2.99 | 2.44 | 1.79 | 1.45 | 1.22 | 0.90 | | | | | |
| 33.6 | 43.2 | | | | | | | | 3.20 | 2.62 | 1.92 | 1.55 | 1.31 | 0.96 | | | | | |
| 36.1 | 40.2 | | | | 9.93 | 7.51 | 5.44 | 4.00 | 3.34 | 2.73 | 2.00 | 1.62 | 1.36 | | | | | | |
| 37.5 | 38.7 | | | | | | | | | 2.82 ● | 2.06 ● | 1.67 ● | 1.41 ● | 1.03 | 0.84 | | | | |
| 39.9 | 36.3 | | | | | | | | | 2.87 ● | 2.10 ● | 1.71 ● | 1.43 ● | 1.05 | 0.86 | | | | |
| 40.3 | 36 | | | | 8.79 | 6.36 | 4.69 | 3.91 | 3.19 | 2.34 | 1.90 | 1.59 | | | | | | | |
| 45.3 | 32 | | | | | | | | | 3.10 ● | 2.27 ● | 1.84 ● | 1.54 ● | 1.13 | 0.92 | | | | |
| 45.6 | 31.8 | | | | | | | | | 7.78 | 5.73 | 4.78 | 3.90 | 2.86 | 2.32 | 1.95 | | | |
| 51.1 | 28.4 | | | | | | | | | 8.90 | 6.55 | 5.47 | 4.47 | 3.27 | 2.65 | 2.23 | 1.64 | 1.33 ● | |
| 57.5 | 25.2 | | | | | | | | | 9.87 | 7.27 | 6.06 | 4.95 | 3.62 | 2.94 | 2.47 | 1.82 | 1.48 ● | |
| 64.2 | 22.6 | | | | | | | | | 7.98 | 6.66 | 5.44 | 3.98 | 3.23 | 2.71 | 1.99 | 1.62 | 1.34 | 1.10 ● |
| 72.1 | 20.1 | | | | | | | | | 8.81 | 7.35 | 6.00 | 4.39 | 3.56 | 2.99 | 2.20 | 1.79 | 1.47 | 1.21 ● |
| 81.5 | 17.8 | | | | | | | | | 9.78 | 8.15 | 6.66 | 4.88 | 3.95 | 3.32 | 2.44 | 1.99 | 1.64 | 1.35 ● |
| 92.4 | 15.7 | | | | | | | | | 9.11 | 7.44 | 5.45 | 4.42 | 3.71 | 2.73 | 2.22 | 1.83 | 1.51 ● | |
| 105 | 13.8 | | | | | | | | | 8.31 | 6.08 | 4.93 | 4.14 | 3.05 | 2.48 | 2.04 | 1.68 | 1.68 ● | |
| 119 | 12.2 | | | | | | | | | 9.27 | 6.78 | 5.50 | 4.62 | 3.40 | 2.77 | 2.28 | 1.87 ● | | |
| 132 | 11 | | | | | | | | | 7.38 | 5.98 | 5.03 | 3.70 | 3.01 | 2.48 | 2.04 | 1.68 | 1.50 ● | |
| 150 | 9.64 | | | | | | | | | 8.31 | 6.74 | 5.66 | 4.16 | 3.39 | 2.79 | 2.30 | 1.87 ● | 1.68 ● | |
| 168 | 8.62 | | | | | | | | | 9.16 | 7.43 | 6.24 | 4.59 | 3.74 | 3.08 | 2.53 ● | 1.86 ● | | |
| 189 | 7.68 | | | | | | | | | | 8.22 | 6.90 | 5.08 | 4.14 | 3.40 | 2.80 ● | 2.06 ● | | |
| 210 | 6.9 | | | | | | | | | | 9.02 | 7.58 | | 4.54 | 3.73 | 3.08 ● | 2.26 ● | | |
| 240 | 6.05 | | | | | | | | | | 10.13 | 8.51 | | 5.10 | 4.19 | 3.45 ● | 2.53 ● | | |
| 258 | 5.63 | | | | | | | | | | 7.17 | 6.02 | 4.43 | 3.61 | 2.97 | 2.45 ● | 1.80 ● | | |
| 295 | 4.91 | | | | | | | | | | 8.16 | 6.85 | 5.04 | 4.11 | 3.38 | 2.79 ● | 2.04 ● | | |
| 330 | 4.39 | | | | | | | | | | 9.07 | 7.62 | 5.61 | 4.57 | 3.76 | 3.10 ● | 2.27 ● | | |
| 371 | 3.91 | | | | | | | | | | | 8.50 | 6.25 | 5.09 | 4.19 | 3.45 ● | 2.53 ● | | |
| 412 | 3.52 | | | | | | | | | | | | | 5.62 | 4.63 | 3.81 ● | 2.80 ● | | |
| 471 | 3.08 | | | | | | | | | | | | | 6.36 | 5.24 | 4.31 ● | 3.16 ● | | |

4-pole LS, LSES and brakes

Three-phase 4-pole LS, LSES

| | | | | | | | | | | |
|---------------|------|-------|-----|-----|-----|-----|-----|-----|-----|-----|
| LS FCR | 90 L | 100 L | 112 | 132 | 160 | | | | | |
| LSES FCR | 90 | 100 | 112 | 132 | 160 | | | | | |
| LS, LSES FCPL | | | | | 160 | 180 | 200 | 225 | 250 | 280 |

1. LS B35 obligatory

● MU obligatory

Selection example

Required power: 45 kW
 Required speed: 70 min⁻¹
 Duty factor required by the application: Kp = 1.4
 Operating position; Mounting form: Horizontal B7; foot mounted
 Designation: Cb 3733 i: 20.1 S S B7 - MI 4p LS 225MR 45 kW LS2/IE2 - 400 VA - U.G.



Electromechanical products Compabloc 3000

Selection

Classes
I, II, III
(kp = 1, 1.4, 2)

Cb 3833
LSES IE2, LS IE1 brake, LSES brake - IP 55 - CI. F
230 V/400 V Y 400 V Δ - 50 Hz - U.G.

| | |
|----------------------|-----------|
| Integral mounting | MI |
| Universal mounting | MU |
| Input shaft mounting | AP |

| | | Cb 3833 | | | | | | | | | | | | |
|-------------------|---------|----------------------------|------|------|------|------|------|----------------|------|------|--------|--------|--------|--------|
| | | LSES (kW) | | | | | | | | | | | | |
| | | 7.5 | 9 | 11 | 15 | 18.5 | 22 | 30 | 37 | 45 | 55' | 75' | 90' | 110' |
| | | Three-phase 4-pole LSES 4p | | | | | | | | | | | | |
| min ⁻¹ | i exact | 132 | 160 | 180 | 200 | 225 | 250 | 280 | 315 | | | | | |
| 6.6 | 220 | 1.47 | 1.23 | 1.00 | | | | | | | | | | |
| 7.4 | 196 | 1.64 | 1.37 | 1.12 | 0.82 | | | | | | | | | |
| 7.9 | 184 | 1.76 | 1.47 | 1.20 | 0.88 | | | | | | | | | |
| 8.8 | 164 | 1.97 | 1.64 | 1.34 | 0.98 | 0.79 | | | | | | | | |
| 9.9 | 146 | 2.22 | 1.85 | 1.51 | 1.11 | 0.90 | | | | | | | | |
| 11.2 | 130 | 2.48 | 2.07 | 1.69 | 1.24 | 1.00 | 0.84 | | | | | | | |
| 12.6 | 115 | 2.79 | 2.33 | 1.90 | 1.39 | 1.13 | 0.95 | Cb 3833 | | | | | | |
| 14.1 | 103 | 3.11 | 2.59 | 2.12 | 1.55 | 1.26 | 1.05 | | | | | | | |
| 15.8 | 92 | 3.48 | 2.90 | 2.37 | 1.73 | 1.40 | 1.18 | 0.87 | | | | | | |
| 17.8 | 81.5 | 3.91 | 3.26 | 2.66 | 1.95 | 1.58 | 1.33 | 0.98 | 0.8 | | | | | |
| 20.2 | 71.7 | 4.43 | 3.69 | 3.02 | 2.21 | 1.79 | 1.50 | 1.11 | 0.9 | | | | | |
| 23.0 | 63.1 | 5.02 | 4.18 | 3.42 | 2.50 | 2.03 | 1.70 | 1.25 | 1.02 | 0.84 | | | | |
| 26.0 | 55.7 | 5.67 | 4.73 | 3.86 | 2.83 | 2.29 | 1.93 | 1.42 | 1.15 | 0.95 | 0.78 ● | | | |
| 28.7 | 50.5 | 6.24 | 5.20 | 4.25 | 3.11 | 2.52 | 2.12 | 1.56 | 1.27 | 1.04 | 0.86 ● | | | |
| 32.9 | 44.1 | 7.13 | | | | | | 1.78 | 1.45 | 1.19 | 0.98 ● | | | |
| 33.3 | 43.6 | | 2.87 | 2.35 | 1.72 | 1.39 | 1.17 | | | | | | | |
| 36.8 | 39.4 | 7.95 | | | | | | 1.98 | 1.62 | 1.33 | 1.10 ● | 0.80 ● | | |
| 37.3 | 38.9 | | 3.57 | 2.92 | 2.14 | 1.73 | 1.46 | | | | | | | |
| 41.3 | 35.1 | 8.90 | | | | | | 2.22 | 1.81 | 1.49 | 1.23 ● | 0.90 ● | | |
| 42.2 | 34.4 | | 4.70 | 3.84 | 2.81 | 2.28 | 1.91 | | | | | | | |
| 45.9 | 31.6 | 9.87 | | | | | | | 2.01 | 1.65 | 1.36 ● | 1.00 ● | 0.83 ● | |
| 47.1 | 30.8 | | 6.45 | 5.27 | 3.86 | 3.13 | 2.63 | 1.93 | | | | | | |
| 52.3 | 27.7 | | | | | | | | 2.28 | 1.88 | 1.55 ● | 1.14 ● | 0.95 ● | 0.78 ● |
| 52.7 | 27.5 | | 7.47 | 6.11 | 4.47 | 3.63 | 3.04 | 2.24 | | | | | | |
| 59.2 | 24.5 | | 8.89 | 7.27 | 5.32 | 4.32 | 3.62 | 2.66 | 2.17 | 1.78 | 1.47 ● | | | |
| 66.2 | 21.9 | | 9.88 | 8.08 | 5.92 | 4.80 | 4.03 | 2.96 | 2.41 | 1.98 | 1.63 ● | | | |
| 74.4 | 19.5 | | | 8.49 | 6.22 | 5.04 | 4.23 | 3.11 | 2.53 | 2.08 | 1.71 ● | 1.26 ● | 1.05 ● | 0.86 ● |
| 83.3 | 17.4 | | | 9.74 | 7.13 | 5.78 | 4.86 | 3.57 | 2.90 | 2.39 | 1.96 ● | 1.44 ● | 1.20 ● | 0.98 ● |
| 94.2 | 15.4 | | | | 7.58 | 6.15 | 5.16 | 3.80 | 3.09 | 2.54 | 2.09 ● | 1.53 ● | 1.28 ● | 1.05 ● |
| 106 | 13.7 | | | | 8.50 | 6.90 | 5.79 | 4.26 | 3.46 | 2.85 | 2.34 ● | 1.72 ● | 1.43 ● | 1.17 ● |
| 116 | 12.5 | | | | 8.88 | 7.20 | 6.05 | 4.45 | 3.62 | 2.97 | 2.45 ● | 1.79 ● | 1.49 ● | 1.22 ● |
| 132 | 11 | | | | | 8.11 | 6.81 | 5.01 | 4.08 | 3.35 | 2.76 ● | 2.02 ● | 1.68 ● | 1.37 ● |
| 146 | 9.96 | | | | | 8.77 | 7.37 | 5.42 | 4.41 | 3.62 | 2.98 ● | 2.19 ● | 1.82 ● | 1.49 ● |
| 166 | 8.75 | | | | | 9.65 | 8.11 | 5.96 | 4.85 | 3.99 | 3.28 ● | 2.40 ● | 2.00 ● | 1.64 ● |
| 179 | 8.11 | | | | | 9.92 | 8.34 | | 4.98 | 4.10 | 3.37 ● | 2.47 ● | 2.06 ● | 1.69 ● |
| 209 | 6.95 | | | | | | 9.80 | | 5.86 | 4.82 | 3.96 ● | 2.91 ● | 2.42 ● | 1.98 ● |
| 229 | 6.33 | | | | | | | | 6.29 | 5.17 | 4.25 ● | 3.12 ● | 2.60 ● | 2.13 ● |
| 261 | 5.55 | | | | | | | 9.08 | 7.39 | 6.08 | 5.00 ● | 3.67 ● | 3.06 ● | 2.50 ● |
| 289 | 5.01 | | | | | | | 9.85 | 8.02 | 6.60 | 5.43 ● | 3.99 ● | 3.32 ● | 2.72 ● |
| 330 | 4.4 | | | | | | | | 8.91 | 7.33 | 6.02 ● | 4.42 ● | 3.68 ● | 3.01 ● |
| 355 | 4.08 | | | | | | | | 8.95 | 7.36 | 6.06 ● | 4.45 ● | 3.70 ● | 3.03 ● |
| 415 | 3.49 | | | | | | | | 9.30 | 7.65 | 6.30 ● | 4.62 ● | 3.85 ● | 3.15 ● |
| 456 | 3.18 | | | | | | | | 8.01 | 6.59 | 5.43 ● | 3.98 ● | 3.32 ● | 2.72 ● |
| 503 | 2.88 | | | | | | | | 9.10 | 7.49 | 6.17 ● | 4.53 ● | 3.77 ● | 3.08 ● |

4-pole LS, LSES and brakes

Three-phase 4-pole LS, LSES

| | | | | | | | | | | | | | | |
|---------------|-----|-----|-----|-----|-----|-----|-----|-----|----|--|--|--|--|--|
| LS FCR | 132 | 160 | | | | | | | | | | | | |
| LSES FCR | 132 | 160 | | | | | | | | | | | | |
| LS, LSES FCPL | | 160 | 180 | 200 | 225 | 250 | 280 | 315 | NC | | | | | |

1. LS B35 obligatory NC : Consult Leroy-Somer

● MU obligatory



Selection example

| | |
|--|-----------------------------|
| Required power: | 45 kW |
| Required speed: | 29 min ⁻¹ |
| Duty factor required by the application: | Kp = 1 |
| Operating position; Mounting form: | Horizontal B7; foot mounted |
| Designation: Cb 3833 i: 50.5 S S B7 - MI 4p LSES225MR 45 kW LS2/IE2 - 400 VΔ - U.G. | |

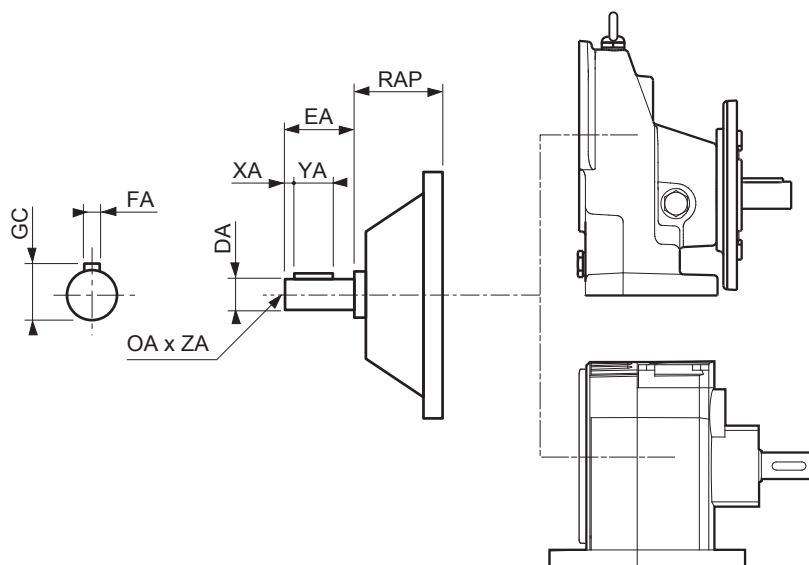
Electromechanical products

Compabloc 3000

Dimensions

Dimensions of the AP input shaft

Dimensions in millimetres



| Type | AP | | | | | | | | |
|-------------|------|-----|----|-----|----|------|-------|--------|-----|
| | Ø DA | EA | YA | XA | FA | GC | RAP | OAxZA | kg |
| Cb38 | 55k6 | 110 | 90 | 10 | 16 | 59 | 48.5 | M20x42 | 32 |
| Cb37 | 48k6 | 110 | 90 | 10 | 14 | 51.5 | 51 | M16x36 | 27 |
| Cb36 | 48k6 | 110 | 90 | 10 | 14 | 51.5 | 51 | M16x36 | 27 |
| Cb35 | 38j6 | 80 | 63 | 8 | 10 | 41 | 129.5 | M12x28 | 14 |
| Cb34 | 28j6 | 60 | 50 | 5 | 8 | 31 | 138.5 | M10x22 | 5 |
| Cb33 | 28j6 | 60 | 50 | 5 | 8 | 31 | 69 | M10x22 | 5 |
| Cb32 | 24j6 | 50 | 40 | 4.5 | 8 | 27 | 73 | M8x19 | 1.2 |
| Cb31 | 24j6 | 50 | 40 | 4.5 | 8 | 27 | 73 | M8x19 | 1.5 |
| Cb30 | 14j6 | 30 | 20 | 3 | 5 | 16 | 69 | M5x14 | 1.3 |
| Cb15 | 11j7 | 23 | 20 | - | 4 | 12.5 | 50.5 | M4x10 | 0.3 |

Electromechanical products

Compabloc 3000

Dimensions

Dimensions of Compabloc (Cb) gearboxes, MI integral mounting,
Cb 3031

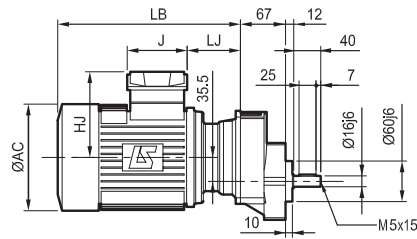
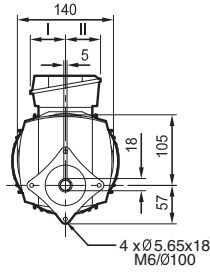
Dimensions in millimetres

- BT faceplate form



Cb: 2.3 kg + Motor

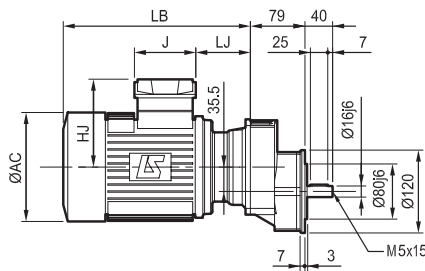
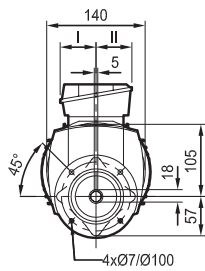
1. for self-tapping screw



- BD1 flange



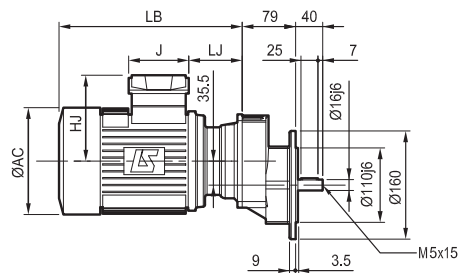
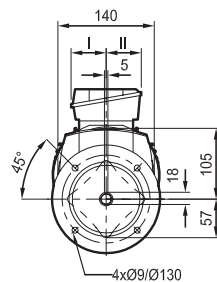
Cb: 2.5 kg + Motor



- BD2 flange



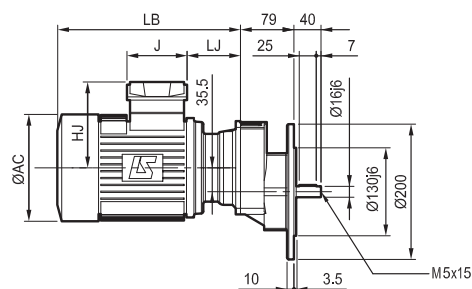
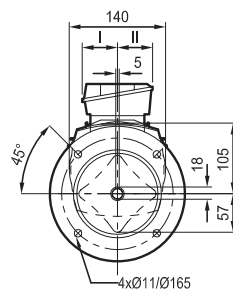
Cb: 2.5 kg + Motor



- BD3 flange



Cb: 2.4 kg + Motor



Electromechanical products


Compabloc 3000

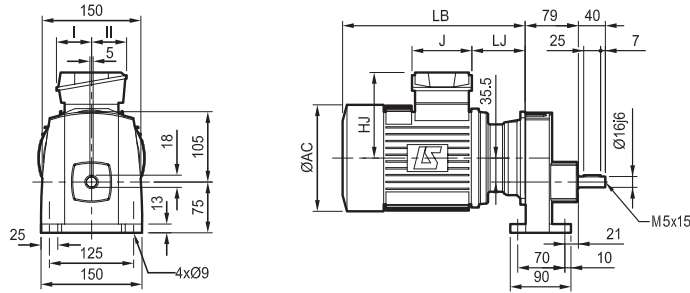
Dimensions

Dimensions of Compabloc (Cb) gearboxes, MI integral mounting, Cb 3031


Dimensions in millimetres

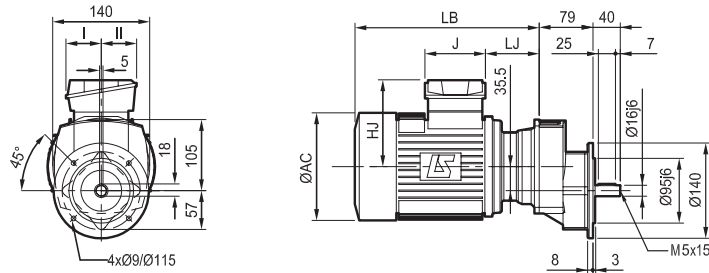
- S foot mounted

 Cb: 2.3 kg + Motor





- Standard BS flange




 Cb: 2.5 kg + Motor





Three-phase 4-pole motors

| Fr. size | LSES | | | | | | |  kg | LSES FCR | | | | | | |  kg |
|----------------|------|-----|----|-----|----|----|----|--|----------|-----|-----|-------|----|----|----|---|
| | AC | HJ | J | LB | LJ | I | II | | AC | HJ | J | LB | LJ | I | II | |
| LSES 80 | 170 | 135 | 86 | 309 | 77 | 43 | 43 | 11.7 | 172 | 146 | 160 | 349.5 | 46 | 55 | 55 | 18 |

Three-phase 4-pole motors

| Fr. size | LS | | | | | | |  kg | LS FMD | | | | | | |  kg | LS FCR | | | | | | |  kg |
|----------------|-----|-----|----|-----|----|----|----|--|--------|----|----|-----|----|------|------|--|--------|-----|-----|-----|----|----|----|--|
| | AC | HJ | J | LB | LJ | I | II | | AC | HJ | J | LB | LJ | I | II | | AC | HJ | J | LB | LJ | I | II | |
| LS 56 | 110 | 84 | 86 | 167 | 19 | 43 | 43 | 4 | 110 | 90 | 85 | 217 | 19 | 42.5 | 42.5 | 4.9 | - | - | - | - | - | - | - | - |
| LS 63 | 124 | 89 | 86 | 183 | 29 | 43 | 43 | 5 | 124 | 96 | 85 | 233 | 29 | 42.5 | 42.5 | 5.7 | - | - | - | - | - | - | - | - |
| LS 71 L | 140 | 109 | 86 | 240 | 73 | 43 | 43 | 8.3 | - | - | - | - | - | - | - | - | 140 | 135 | 160 | 268 | 34 | 55 | 55 | 11.3 |
| LS 80 L | - | - | - | - | - | - | - | - | - | - | - | - | - | - | - | - | 172 | 146 | 160 | 300 | 46 | 55 | 55 | 18 |

Single-phase 4-pole motors

| Fr. size | LS | | | | | | |  kg | LS FMD | | | | | | |  kg |
|----------------|-----|-----|-----|----------------------------------|----|-----|-------|--|--------|-----|-----|----------------------------------|----|-----|-------|---|
| | AC | HJ | J | LB ¹ /LB ² | LJ | I | II | | AC | HJ | J | LB ¹ /LB ² | LJ | I | II | |
| LS 56 | 110 | 92 | 86 | 167/146 | 19 | 90 | 44 | 3.5 | 110 | 92 | 86 | 217/196 | 18 | 90 | 44 | 4.4 |
| LS 63 | 124 | 97 | 138 | 183/161 | 29 | 100 | 102.5 | 5 | 124 | 97 | 138 | 233/211 | 29 | 100 | 102.5 | 5.9 |
| LS 71 L | 140 | 107 | 138 | 204/166 | 29 | 100 | 102.5 | 8 | 140 | 107 | 138 | 244/216 | 29 | 100 | 102.5 | 8.9 |

1. ventilated motor.
2. non-ventilated motor.

Electromechanical products


Compabloc 3000

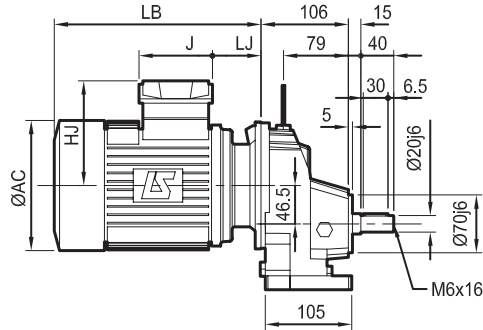
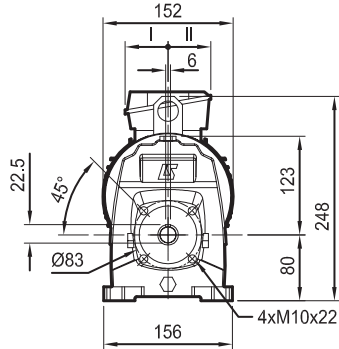
Dimensions

Dimensions of Compabloc (Cb) gearboxes, MI integral mounting,
Cb 3131


Dimensions in millimetres

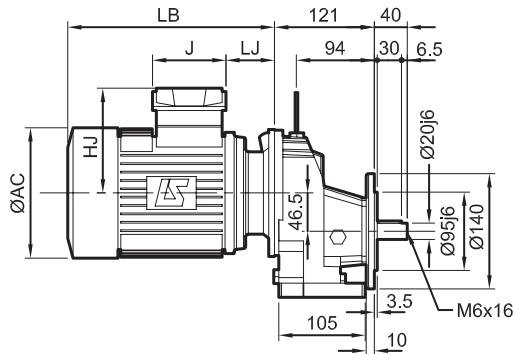
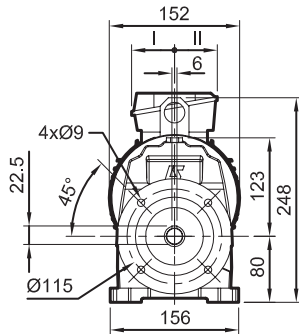
- BT faceplate form

 Cb: 6.9 kg + Motor




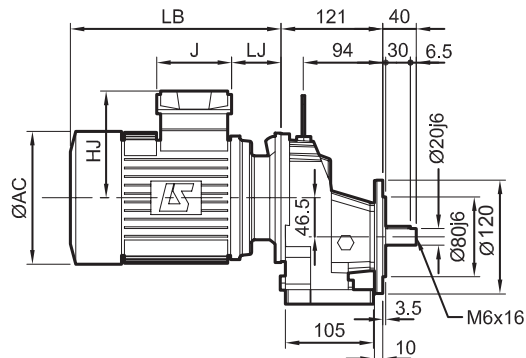
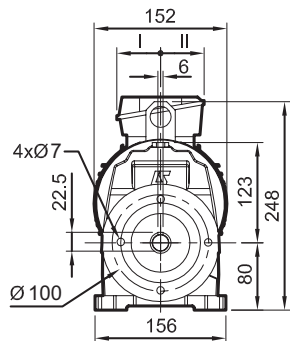
- BD1 flange

 Cb: 7.9 kg + Motor



- BD2 flange

 Cb: 7.8 kg + Motor



Electromechanical products


Compabloc 3000

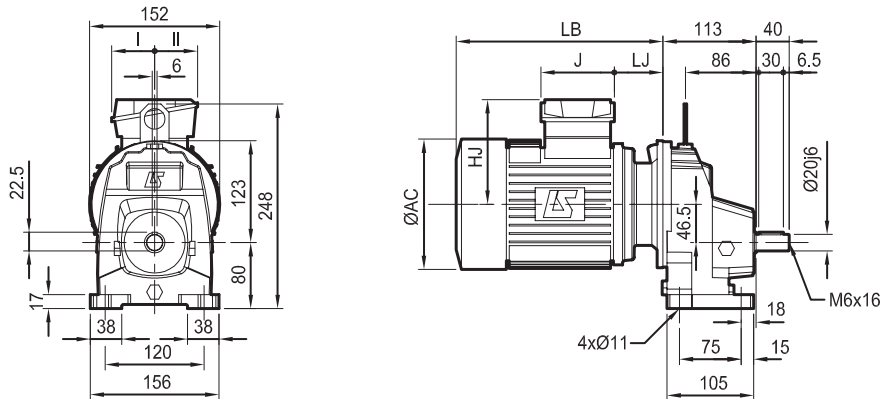
Dimensions

Dimensions of Compabloc (Cb) gearboxes, MI integral mounting,
Cb 3131


Dimensions in millimetres

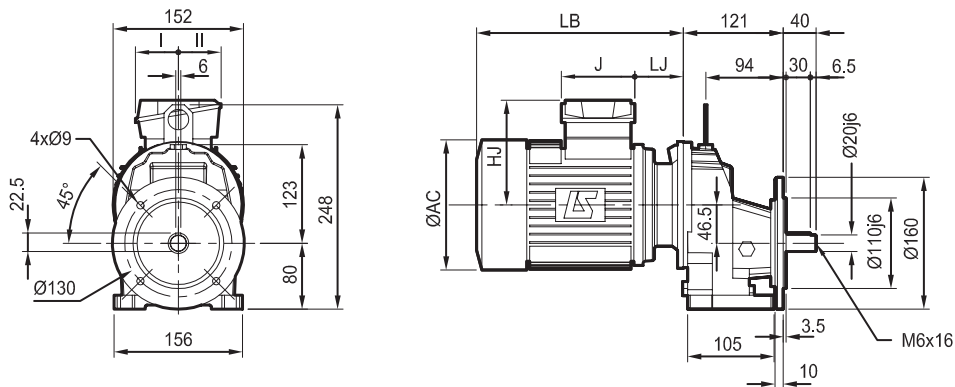
- S foot mounted

 Cb: 6.9 kg + Motor





- Standard BS flange



 Cb: 8.1 kg + Motor



4-pole motors

| Fr. size | LSES | | | | | | | | LSES FCR | | | | | | | |
|--------------------|------|-----|----|-------|------|----|----|--|----------|-----|-----|-------|------|----|----|--|
| | AC | HJ | J | LB | LJ | I | II |  kg | AC | HJ | J | LB | LJ | I | II |  kg |
| LSES 80 | 170 | 135 | 86 | 288.5 | 67.5 | 43 | 43 | 11.7 | 172 | 146 | 160 | 349.5 | 46 | 55 | 55 | 18 |
| LSES 90 | 190 | 135 | 86 | 290 | 71 | 43 | 43 | 15.2 | 184 | 156 | 160 | 349.5 | 58.5 | 55 | 55 | 24.2 |
| LSES 100 LR | 200 | 140 | 86 | 354.5 | 72 | 43 | 43 | 25.7 | 200 | 161 | 160 | 410 | 59.5 | 55 | 55 | 30 |

4-pole motors

| Fr. size | LS | | | | | | | | LS FCR | | | | | | | |
|-----------------|-----|-----|----|-----|----|----|----|--|--------|-----|-----|-------|------|----|----|--|
| | AC | HJ | J | LB | LJ | I | II |  kg | AC | HJ | J | LB | LJ | I | II |  kg |
| LS 71 L | 140 | 109 | 86 | 217 | 49 | 43 | 43 | 8.3 | 140 | 135 | 160 | 268 | 34 | 55 | 55 | 11.3 |
| LS 80 L | - | - | - | - | - | - | - | - | 172 | 146 | 160 | 300 | 46 | 55 | 55 | 18 |
| LS 90 L | - | - | - | - | - | - | - | - | 184 | 156 | 160 | 349.5 | 58.5 | 55 | 55 | 24.2 |
| LS 100 L | - | - | - | - | - | - | - | - | 200 | 161 | 160 | 397.5 | 59.5 | 55 | 55 | 30 |

Electromechanical products

Compabloc 3000

Dimensions

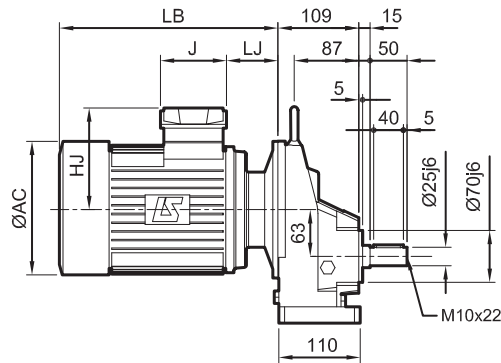
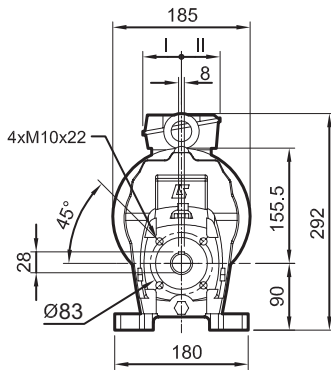
Dimensions of Compabloc (Cb) gearboxes, MI integral mounting,
Cb 3231

Dimensions in millimetres

- BT faceplate form



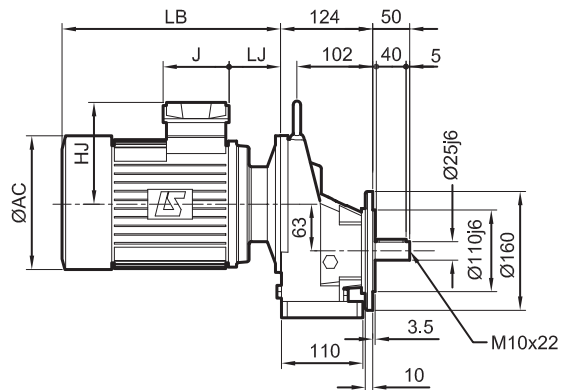
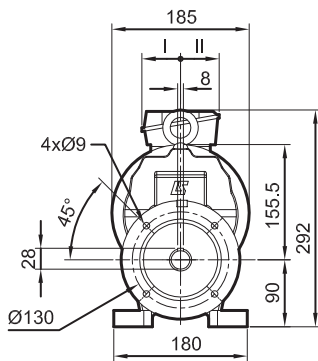
Cb: 8.3 kg + Motor



- BD1 flange



Cb: 9.5 kg + Motor



Electromechanical products


Compabloc 3000

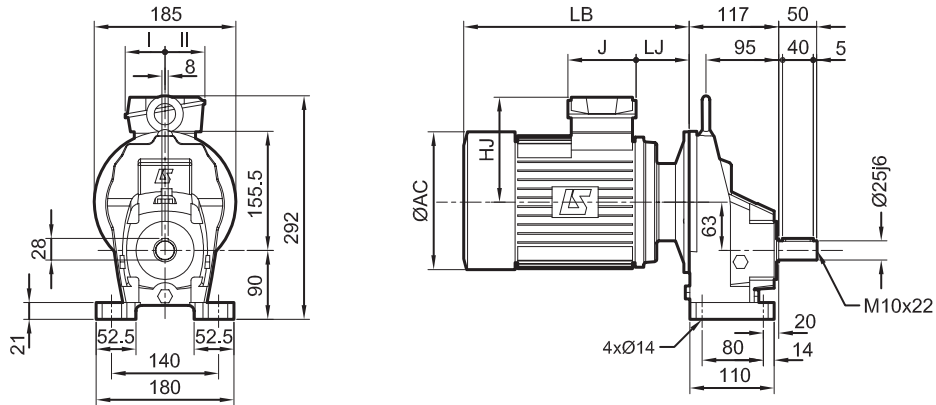
Dimensions

Dimensions of Compabloc (Cb) gearboxes, MI integral mounting,
Cb 3231


Dimensions in millimetres

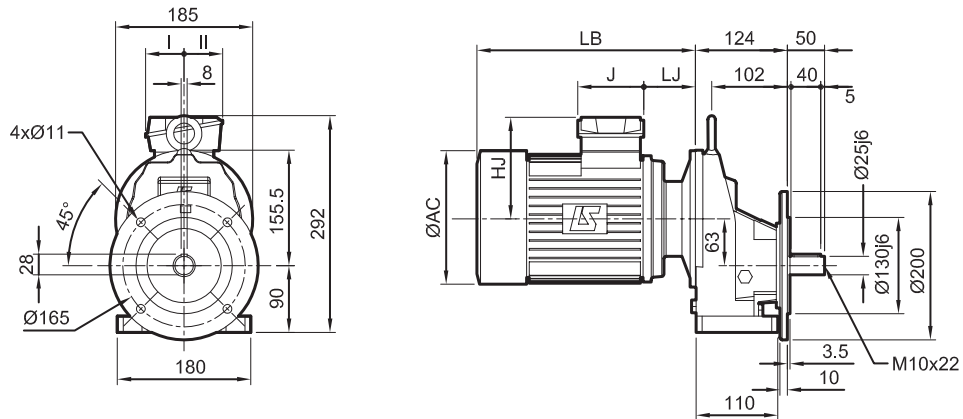
- S foot mounted

 Cb: 8.3 kg + Motor





- Standard BS flange



 Cb: 10.3 kg + Motor



4-pole motors

| Fr. size | LSES | | | | | | |  kg | LSES FCR | | | | | | |  kg |
|--------------------|------|-----|-----|-------|------|----|----|--|----------|-----|-----|-------|------|----|----|---|
| | AC | HJ | J | LB | LJ | I | II | | AC | HJ | J | LB | LJ | I | II | |
| LSES 80 | 170 | 135 | 86 | 288 | 67.5 | 43 | 43 | 11.7 | 172 | 146 | 160 | 349.5 | 46 | 55 | 55 | 18 |
| LSES 90 | 190 | 135 | 86 | 290 | 71 | 43 | 43 | 15.2 | 184 | 156 | 160 | 349.5 | 58.5 | 55 | 55 | 24.2 |
| LSES 100 LR | 200 | 140 | 86 | 354.5 | 72 | 43 | 43 | 25.7 | 200 | 161 | 160 | 410 | 59.5 | 55 | 55 | 30 |
| LSES 112 MU | 235 | 149 | 86 | 371 | 73.5 | 43 | 43 | 35 | 235 | 169 | 160 | 434 | 61 | 55 | 55 | 44.5 |
| LSES 132 SU | 260 | 172 | 126 | 397 | 52.5 | 63 | 63 | 42 | 235 | 169 | 160 | 477 | 61 | 55 | 55 | 48 |

4-pole motors

| Fr. size | LS | | | | | | |  kg | LS FCR | | | | | | |  kg |
|------------------|-----|-----|----|-----|----|----|----|--|--------|-----|-----|-------|------|----|----|---|
| | AC | HJ | J | LB | LJ | I | II | | AC | HJ | J | LB | LJ | I | II | |
| LS 71 L | 140 | 109 | 86 | 217 | 49 | 43 | 43 | 8.3 | 140 | 135 | 160 | 268 | 34 | 55 | 55 | 11.3 |
| LS 80 L | - | - | - | - | - | - | - | - | 172 | 146 | 160 | 300 | 46 | 55 | 55 | 18 |
| LS 90 L | - | - | - | - | - | - | - | - | 184 | 156 | 160 | 349.5 | 58.5 | 55 | 55 | 24.2 |
| LS 100 L | - | - | - | - | - | - | - | - | 200 | 161 | 160 | 397.5 | 59.5 | 55 | 55 | 30 |
| LS 112 MG | - | - | - | - | - | - | - | - | 235 | 169 | 160 | 434 | 61 | 55 | 55 | 44.5 |
| LS 132 S | - | - | - | - | - | - | - | - | 235 | 169 | 160 | 457 | 61 | 55 | 55 | 48 |

Electromechanical products


Compabloc 3000

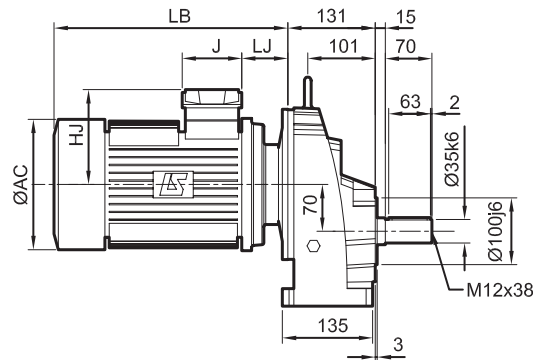
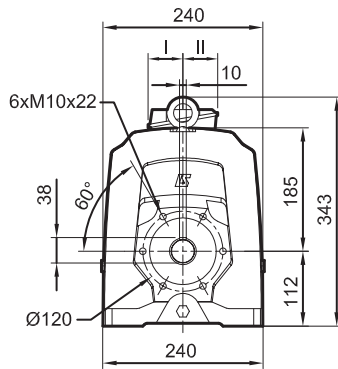
Dimensions

Dimensions of Compabloc (Cb) gearboxes, MI integral mounting,
Cb 3331


Dimensions in millimetres

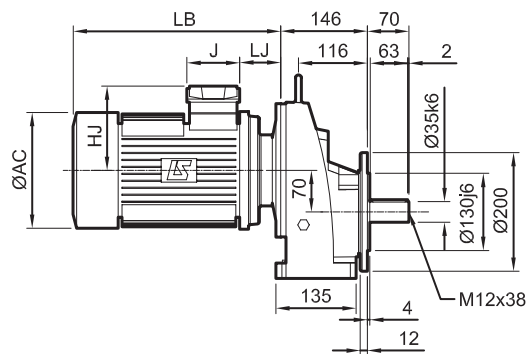
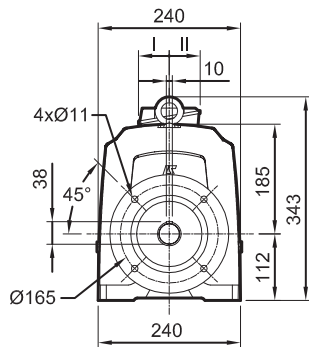
- BT faceplate form

 Cb: 15.5 kg + Motor



- BD1 flange

 Cb: 18.3 kg + Motor



Electromechanical products


Compabloc 3000

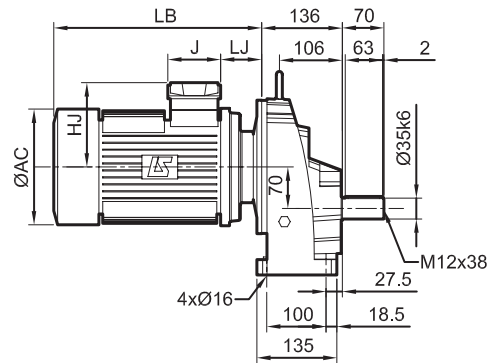
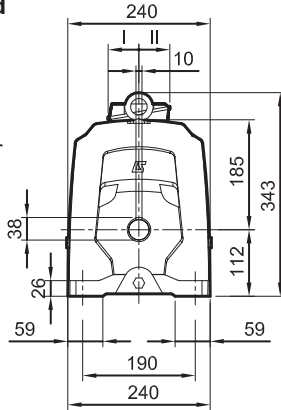
Dimensions

Dimensions of Compabloc (Cb) gearboxes, MI integral mounting, Cb 3331


Dimensions in millimetres

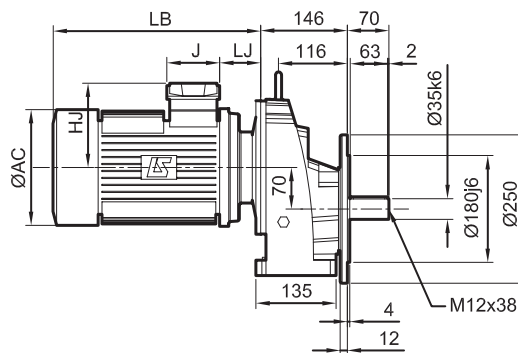
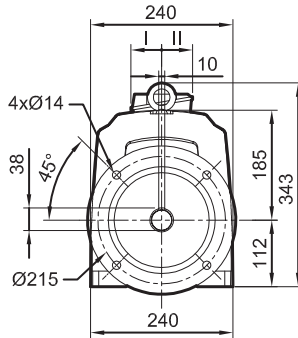
- S foot mounted

 Cb: 15.5 kg + Motor





- Standard BS flange



 Cb: 19.4 kg + Motor



4-pole motors

| Fr. size | LSES | | | | | | |  kg | LSES FCR | | | | | | |  kg |
|--------------------|------|-----|-----|-------|------|----|----|--|----------|-----|-----|-------|------|----|----|---|
| | AC | HJ | J | LB | LJ | I | II | | AC | HJ | J | LB | LJ | I | II | |
| LSES 80 | 170 | 135 | 86 | 284 | 63.5 | 43 | 43 | 11.7 | 172 | 146 | 160 | 345.5 | 42 | 55 | 55 | 18 |
| LSES 90 | 190 | 135 | 86 | 286 | 67 | 43 | 43 | 15.2 | 184 | 156 | 160 | 345.5 | 54.5 | 55 | 55 | 24.2 |
| LSES 100 LR | 200 | 140 | 86 | 350.5 | 68 | 43 | 43 | 25.7 | 200 | 161 | 160 | 406 | 55.5 | 55 | 55 | 30 |
| LSES 112 MU | 235 | 149 | 86 | 367 | 69.5 | 43 | 43 | 35 | 235 | 169 | 160 | 430 | 58 | 55 | 55 | 44.5 |
| LSES 132 MU | 265 | 190 | 126 | 460 | 65 | 63 | 63 | 68 | 280 | 188 | 160 | 541 | 73 | 55 | 55 | 80 |

4-pole motors

| Fr. size | LS | | | | | | |  kg | LS FCR | | | | | | |  kg |
|------------------|-----|-----|----|-----|----|----|----|--|--------|-----|-----|-------|------|----|----|---|
| | AC | HJ | J | LB | LJ | I | II | | AC | HJ | J | LB | LJ | I | II | |
| LS 71 L | 140 | 109 | 86 | 213 | 45 | 43 | 43 | 8.3 | 140 | 135 | 160 | 264 | 21.5 | 55 | 55 | 11.3 |
| LS 80 L | - | - | - | - | - | - | - | - | 172 | 146 | 160 | 296 | 42 | 55 | 55 | 18 |
| LS 90 L | - | - | - | - | - | - | - | - | 184 | 156 | 160 | 345.5 | 54.5 | 55 | 55 | 24.2 |
| LS 100 L | - | - | - | - | - | - | - | - | 200 | 161 | 160 | 393.5 | 55.5 | 55 | 55 | 30 |
| LS 112 MG | - | - | - | - | - | - | - | - | 235 | 169 | 160 | 430 | 58 | 55 | 55 | 44.5 |
| LS 132 M | - | - | - | - | - | - | - | - | 280 | 188 | 160 | 541 | 73 | 55 | 55 | 80 |

Electromechanical products

Compabloc 3000

Dimensions

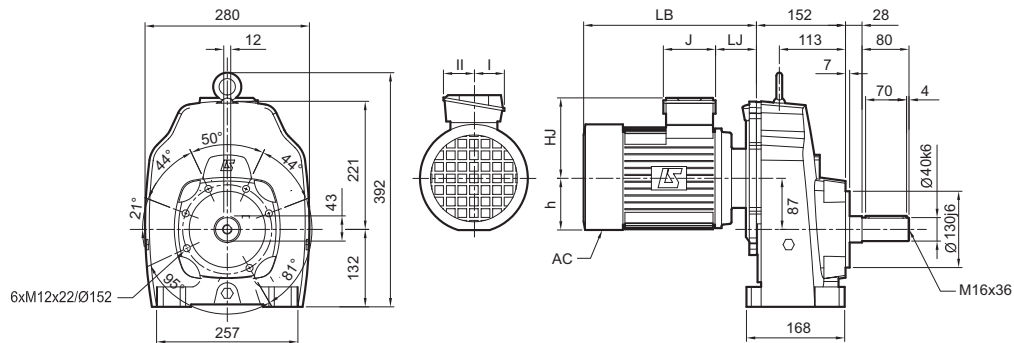
Dimensions of Compabloc (Cb) gearboxes, MI integral mounting,
Cb 3431

Dimensions in millimetres

- BT faceplate form



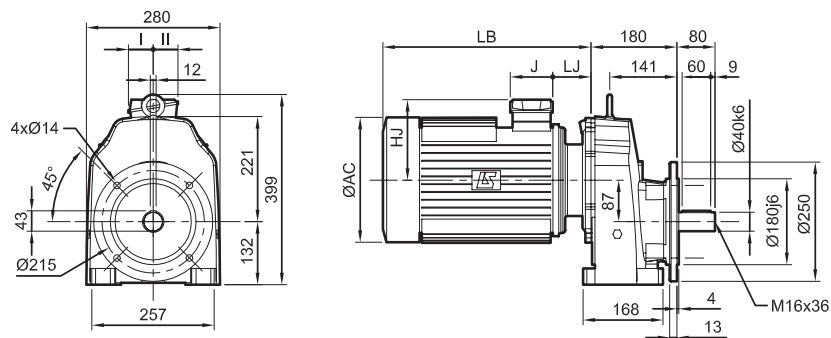
Cb: 25 kg + Motor



- BD1 flange



Cb: 29.5 kg + Motor



Electromechanical products

Compabloc 3000

Dimensions

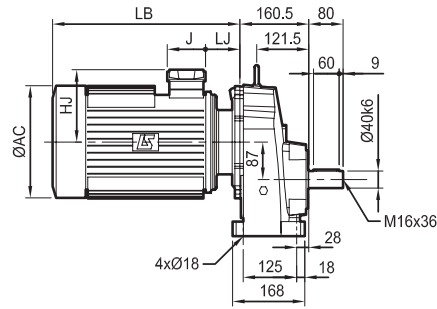
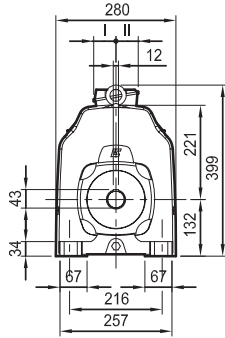
Dimensions of Compabloc (Cb) gearboxes, MI integral mounting,
Cb 3431

Dimensions in millimetres

- S foot mounted



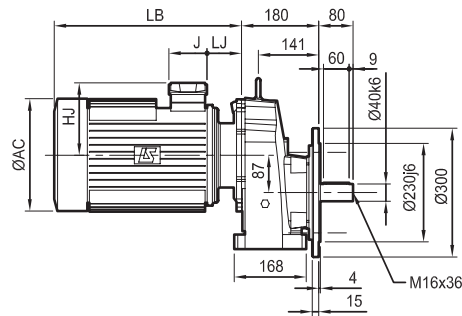
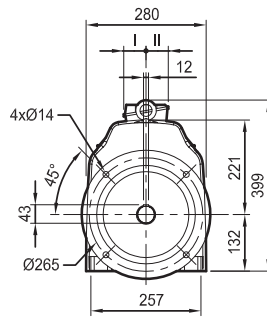
Cb: 25 kg + Motor



- Standard BS flange



Cb: 31 kg + Motor



| Fr. size | 4-pole motors | | | | | | | | | | | | | | | | | | | | | | | |
|-------------|---------------|-----|-----|-------|------|-----|----|----------|-----|-----|-----|-------|------|----|-----------|------|-----|-----|-----|-----|------|----|----|-----|
| | LSES | | | | | | | LSES FCR | | | | | | | LSES FCPL | | | | | | | | | |
| | AC | HJ | J | LB | LJ | I | II | kg | AC | HJ | J | LB | LJ | I | II | kg | AC | HJ | J | LB | LJ | I | II | kg |
| LSES 80 LG | 170 | 135 | 86 | 288.5 | 68 | 43 | 43 | 11.7 | 172 | 146 | 160 | 345.5 | 46.5 | 55 | 55 | 18 | - | - | - | - | - | - | - | - |
| LSES 90 L | 190 | 135 | 86 | 286 | 67 | 43 | 43 | 15.2 | 184 | 156 | 160 | 345.5 | 54.5 | 55 | 55 | 24.2 | - | - | - | - | - | - | - | - |
| LSES 100 LR | 200 | 140 | 86 | 350.5 | 68 | 43 | 43 | 25.7 | 200 | 161 | 160 | 406 | 55.5 | 55 | 55 | 30 | - | - | - | - | - | - | - | - |
| LSES 112 MU | 235 | 149 | 86 | 367 | 69.5 | 43 | 43 | 35 | 235 | 169 | 160 | 434 | 62 | 55 | 55 | 44.5 | - | - | - | - | - | - | - | - |
| LSES 132 MU | 265 | 190 | 126 | 464 | 69 | 63 | 63 | 68 | 280 | 188 | 160 | 545 | 77 | 55 | 55 | 80 | - | - | - | - | - | - | - | - |
| LSES 160 L | 312 | 222 | 126 | 508 | 60.8 | 63 | 63 | 91 | 316 | 231 | 160 | 620 | 96 | 55 | 55 | 110 | 345 | 235 | 134 | 681 | 56.8 | 92 | 63 | 140 |
| LSES 180 LR | 312 | 248 | 186 | 533 | 67.8 | 112 | 98 | 115 | - | - | - | - | - | - | - | - | 345 | 235 | 134 | 696 | 57 | 92 | 63 | 155 |

| Fr. size | 4-pole motors | | | | | | | | | | | | | | | |
|-----------|---------------|-----|-----|-------|------|----|----|---------|-----|-----|-----|-----|------|----|----|-----|
| | LS FCR | | | | | | | LS FCPL | | | | | | | | |
| | AC | HJ | J | LB | LJ | I | II | kg | AC | HJ | J | LB | LJ | I | II | kg |
| LS 80 L | 172 | 146 | 160 | 300.5 | 46.5 | 55 | 55 | 18 | - | - | - | - | - | - | - | - |
| LS 90 L | 184 | 156 | 160 | 345.5 | 54.5 | 55 | 55 | 24.2 | - | - | - | - | - | - | - | - |
| LS 100 L | 200 | 161 | 160 | 393.5 | 55.5 | 55 | 55 | 30 | - | - | - | - | - | - | - | - |
| LS 112 MG | 235 | 169 | 160 | 434 | 61 | 55 | 55 | 44.5 | - | - | - | - | - | - | - | - |
| LS 132 M | 280 | 188 | 160 | 545 | 77 | 55 | 55 | 80 | - | - | - | - | - | - | - | - |
| LS 160 L | 316 | 231 | 160 | 620 | 96 | 55 | 55 | 110 | 345 | 235 | 134 | 681 | 56.8 | 92 | 63 | 140 |
| LS 180 LR | - | - | - | - | - | - | - | - | 345 | 235 | 134 | 696 | 57 | 92 | 63 | 155 |

Electromechanical products

Compabloc 3000

Dimensions

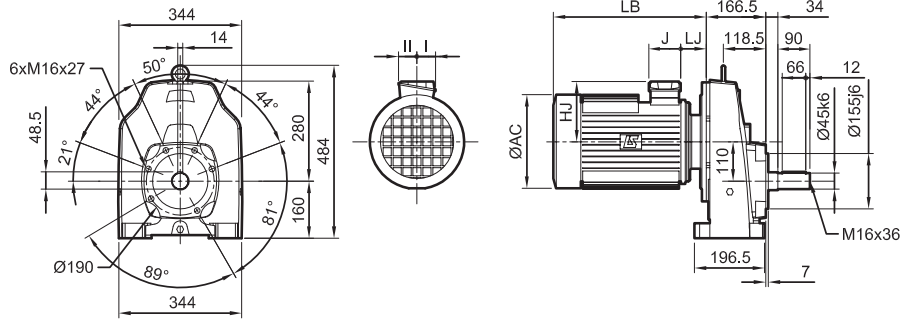
Dimensions of Compabloc (Cb) gearboxes, MI integral mounting,
Cb 3531

Dimensions in millimetres

- BT faceplate form



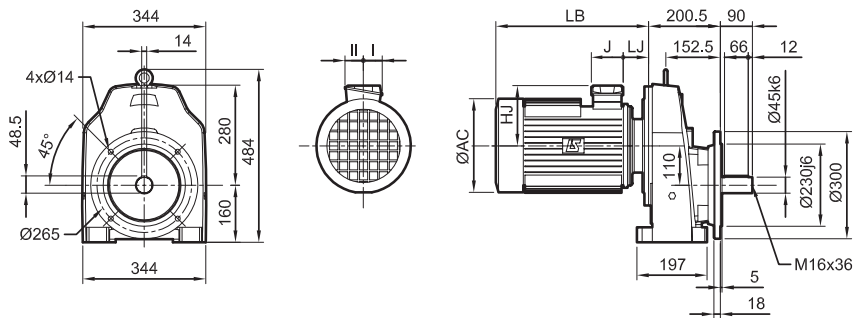
Cb: 41 kg + Motor



- BD1 flange



Cb: 46 kg + Motor



Electromechanical products

Compabloc 3000

Dimensions

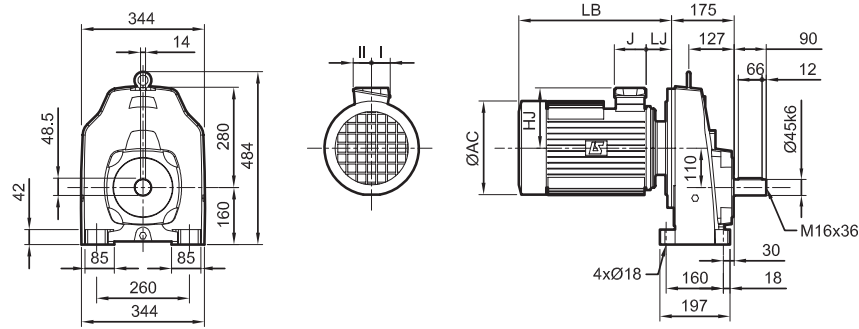
Dimensions of Compabloc (Cb) gearboxes, MI integral mounting, Cb 3531

Dimensions in millimetres

- S foot mounted



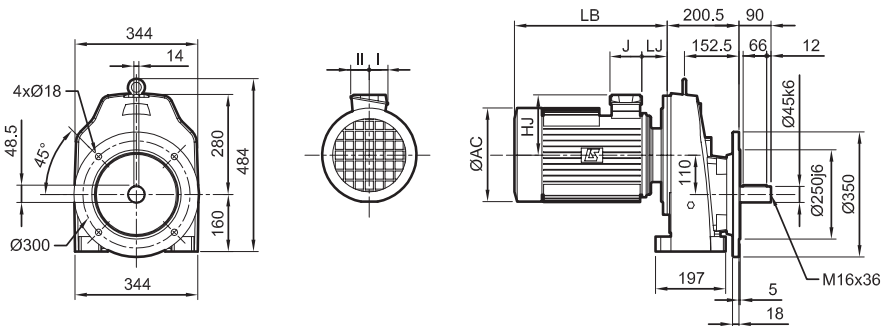
Cb: 41 kg + Motor



- Standard BS flange



Cb: 48 kg + Motor



| Fr. size | 4-pole motors | | | | | | | | | | | | | | | | | | | | | | | |
|-------------|---------------|-----|-----|-------|------|-----|----|----------|-----|-----|-----|-------|------|----|-----------|------|-----|-----|-----|-----|------|-----|----|-----|
| | LSES | | | | | | | LSES FCR | | | | | | | LSES FCPL | | | | | | | | | |
| | AC | HJ | J | LB | LJ | I | II | AC | HJ | J | LB | LJ | I | II | AC | HJ | J | LB | LJ | I | II | | | |
| LSES 90 L | 190 | 135 | 86 | 281 | 62 | 43 | 43 | 15.2 | 184 | 156 | 160 | 340.5 | 49.5 | 55 | 55 | 24.2 | - | - | - | - | - | - | - | - |
| LSES 100 LR | 200 | 140 | 86 | 345.5 | 63 | 43 | 43 | 25.7 | 200 | 161 | 160 | 401 | 50.5 | 55 | 55 | 30 | - | - | - | - | - | - | - | - |
| LSES 112 MU | 235 | 149 | 86 | 362 | 64.5 | 43 | 43 | 35 | 235 | 169 | 160 | 425 | 53 | 55 | 55 | 44.5 | - | - | - | - | - | - | - | - |
| LSES 132 MU | 265 | 190 | 126 | 455 | 60 | 63 | 63 | 68 | 280 | 188 | 160 | 536 | 56 | 55 | 55 | 80 | - | - | - | - | - | - | - | - |
| LSES 160 L | 312 | 222 | 126 | 499 | 51.8 | 63 | 63 | 91 | 316 | 231 | 160 | 611 | 87 | 55 | 55 | 110 | 312 | 235 | 134 | 672 | 47.8 | 92 | 63 | 140 |
| LSES 180 LR | 312 | 248 | 186 | 524 | 58.8 | 112 | 98 | 115 | - | - | - | - | - | - | - | - | 345 | 235 | 134 | 687 | 48 | 92 | 63 | 150 |
| LSES 200 LR | 350 | 256 | 186 | 618 | 67.5 | 112 | 98 | 164 | - | - | - | - | - | - | - | - | 384 | 256 | 186 | 826 | 67.5 | 111 | 98 | 240 |

| Fr. size | 4-pole motors | | | | | | | | | | | | | | | |
|-----------|---------------|-----|-----|-------|------|----|----|---------|-----|-----|-----|-----|------|-----|----|-----|
| | LS FCR | | | | | | | LS FCPL | | | | | | | | |
| | AC | HJ | J | LB | LJ | I | II | AC | HJ | J | LB | LJ | I | II | | |
| LS 90 L | 184 | 156 | 160 | 340.5 | 49.5 | 55 | 55 | 24.2 | - | - | - | - | - | - | - | |
| LS 100 L | 200 | 161 | 160 | 388.5 | 50.5 | 55 | 55 | 30 | - | - | - | - | - | - | - | |
| LS 112 MG | 235 | 169 | 160 | 425 | 53 | 55 | 55 | 44.5 | - | - | - | - | - | - | - | |
| LS 132 M | 280 | 188 | 160 | 536 | 56 | 55 | 55 | 80 | - | - | - | - | - | - | - | |
| LS 160 LR | 316 | 231 | 160 | 611 | 87 | 55 | 55 | 110 | 312 | 235 | 134 | 672 | 47.8 | 92 | 63 | 140 |
| LS 180 LR | - | - | - | - | - | - | - | - | 345 | 235 | 134 | 687 | 48 | 92 | 63 | 150 |
| LS 200 LT | - | - | - | - | - | - | - | - | 384 | 256 | 186 | 826 | 67.5 | 111 | 98 | 240 |

Electromechanical products

Compabloc 3000

Dimensions

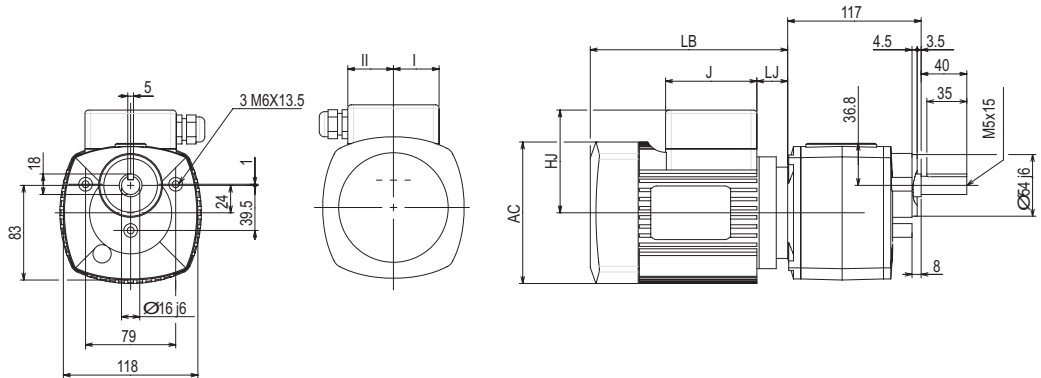
Dimensions of Compabloc (Cb) gearboxes, MI integral mounting,
Cb 15--

Dimensions in millimetres

- BT faceplate form



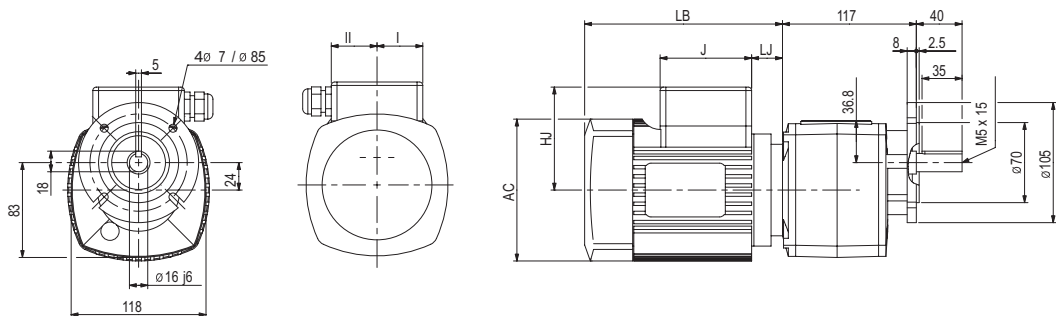
Cb: 2.9 kg + Motor



- BD1 flange



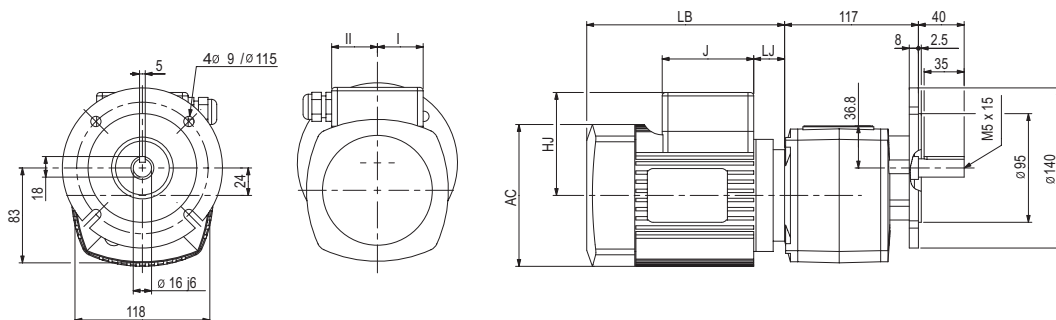
Cb: 2.8 kg + Motor



- BD2 flange



Cb: 3 kg + Motor



Electromechanical products


Compabloc 3000

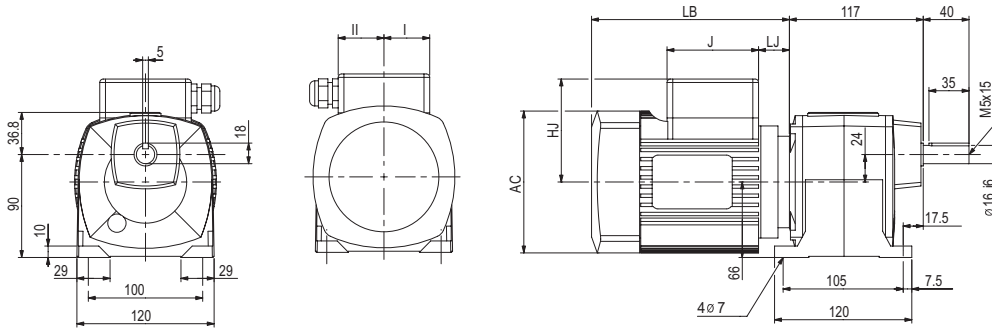
Dimensions

Dimensions of Compabloc (Cb) gearboxes, MI integral mounting,
Cb 15--


Dimensions in millimetres

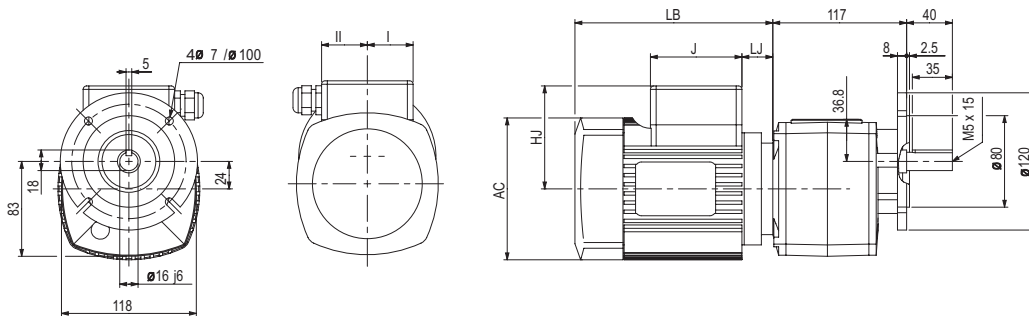
- S foot mounted




 Cb: 2.9 kg + Motor





- Standard BS flange

 Cb: 2.9 kg + Motor



| Fr. size | 4-pole motors | | | | | | | | | | | | | | | | | | | | | | | |
|----------|---------------|-----|----|-----|----|----|----|--|--------|-----|-----|-----|----|----|----|--|--------|-----|----|-----|----|----|----|--|
| | LS | | | | | | | | LS FCR | | | | | | | | LS FMD | | | | | | | |
| | AC | HJ | J | LB | LJ | I | II |  kg | AC | HJ | J | LB | LJ | I | II |  kg | AC | HJ | J | LB | LJ | I | II |  kg |
| 56 | 110 | 85 | 78 | 156 | 16 | 39 | 39 | 4 | - | - | - | - | - | - | - | - | 110 | 90 | 86 | 206 | 16 | 43 | 43 | 4.3 |
| 63 | 124 | 95 | 78 | 172 | 26 | 39 | 39 | 5 | - | - | - | - | - | - | - | - | 124 | 110 | 86 | 222 | 26 | 43 | 43 | 5.2 |
| 71 | 140 | 102 | 78 | 183 | 21 | 39 | 39 | 8.3 | 140 | 135 | 160 | 273 | 38 | 55 | 55 | 8.5 | 140 | 129 | 86 | 233 | 21 | 43 | 43 | 7.4 |

| Fr. size | Single-phase 4-pole LS | | | | | | | | | | | | | | | | | |
|----------|------------------------|-----|-----|-----------------|-----------------|----|----------------|----|--|--------|-----|----|-----------------|-----------------|----|----|----|--|
| | LS | | | | | | | | | LS FMD | | | | | | | | |
| | AC | HJ | J | LB ¹ | LB ² | LJ | I ³ | II |  kg | AC | HJ | J | LB ¹ | LB ² | LJ | I | II |  kg |
| 56 | 110 | 90 | 86 | 156 | 135 | 19 | 90 | 44 | 3.5 | 110 | 90 | 86 | 206 | 196 | 16 | 43 | 43 | 4.4 |
| 63 | 124 | 110 | 138 | 172 | 150 | 29 | 100 | 44 | 4.5 | 124 | 110 | 86 | 222 | 211 | 26 | 43 | 43 | 5.4 |
| 71 | 140 | 129 | 138 | 183 | 155 | 29 | 100 | 44 | 7.5 | 140 | 129 | 86 | 233 | 216 | 21 | 43 | 43 | 8.4 |

1. ventilated motor
2. non-ventilated motor
3. with permanent capacitor

Electromechanical products

Compabloc 3000

Dimensions

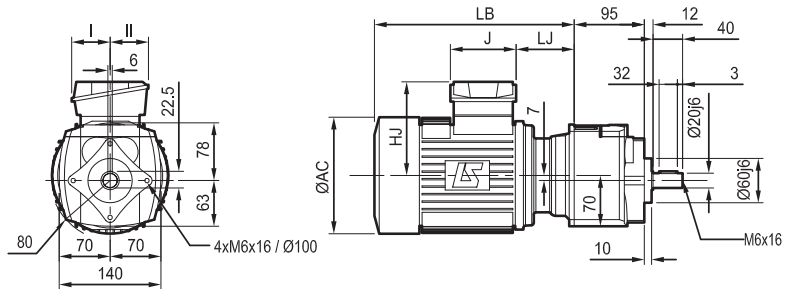
Dimensions of Compabloc (Cb) gearboxes, MI integral mounting,
Cb 3032

Dimensions in millimetres

- BT faceplate form



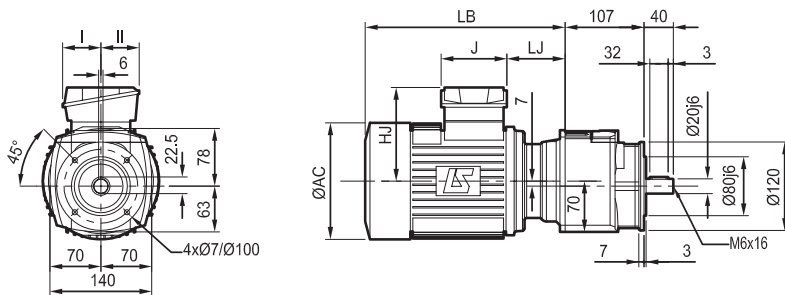
Cb: 4.6 kg + Motor



- BD1 flange



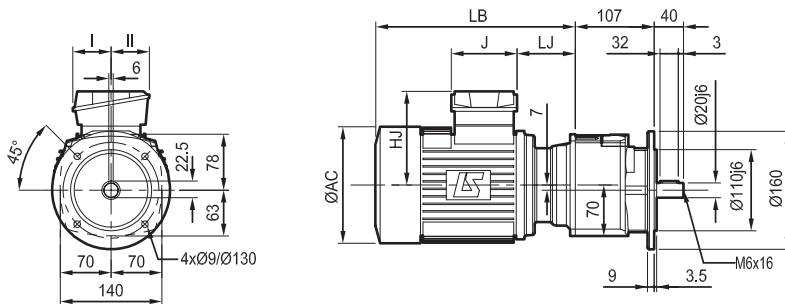
Cb: 4.7 kg + Motor



- BD2 flange



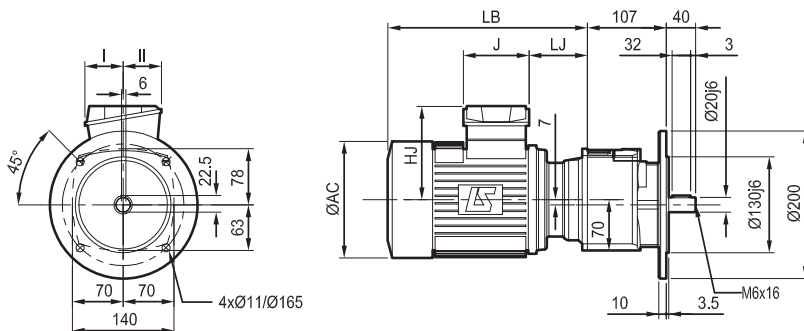
Cb: 4.9 kg + Motor



- BD3 flange



Cb: 5 kg + Motor



Electromechanical products


Compabloc 3000

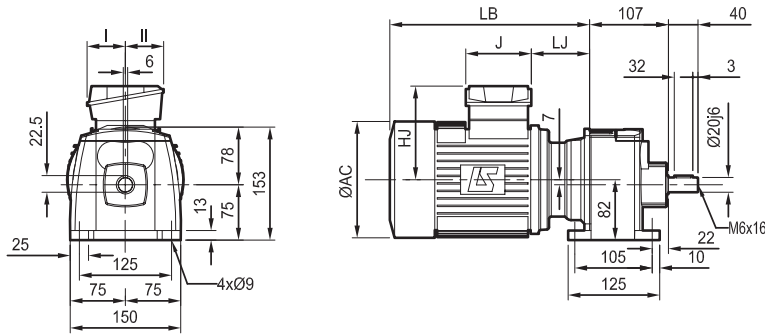
Dimensions

Dimensions of Compabloc (Cb) gearboxes, MI integral mounting, Cb 3032


Dimensions in millimetres

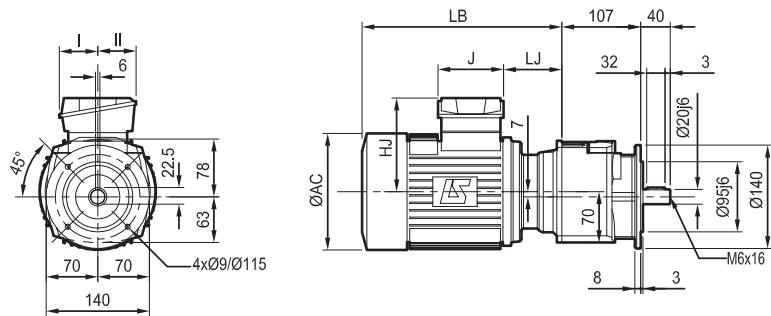
- S foot mounted

 Cb: 4.8 kg + Motor





- Standard BS flange




 Cb: 4.8 kg + Motor





Three-phase 4-pole motors

| Fr. size | LSES | | | | | | |  kg | LSES FCR | | | | | | |  kg |
|----------------|------|-----|----|-----|----|----|----|--|----------|-----|-----|-------|----|----|----|---|
| | AC | HJ | J | LB | LJ | I | II | | AC | HJ | J | LB | LJ | I | II | |
| LSES 80 | 170 | 135 | 86 | 309 | 77 | 43 | 43 | 11.7 | 172 | 146 | 160 | 349.5 | 46 | 55 | 55 | 18 |

Three-phase 4-pole motors

| Fr. size | LS | | | | | | |  kg | LS FMD | | | | | | |  kg | LS FCR | | | | | | |  kg |
|----------------|-----|-----|----|-----|----|----|----|--|--------|----|----|-----|----|------|------|--|--------|-----|-----|-----|----|----|----|--|
| | AC | HJ | J | LB | LJ | I | II | | AC | HJ | J | LB | LJ | I | II | | AC | HJ | J | LB | LJ | I | II | |
| LS 56 | 110 | 84 | 86 | 167 | 19 | 43 | 43 | 4 | 110 | 90 | 85 | 217 | 19 | 42.5 | 42.5 | 4.9 | - | - | - | - | - | - | - | - |
| LS 63 | 124 | 89 | 86 | 183 | 29 | 43 | 43 | 5 | 124 | 96 | 85 | 233 | 29 | 42.5 | 42.5 | 5.7 | - | - | - | - | - | - | - | - |
| LS 71 L | 140 | 109 | 86 | 240 | 73 | 43 | 43 | 8.3 | - | - | - | - | - | - | - | - | 140 | 135 | 160 | 268 | 34 | 55 | 55 | 11.3 |
| LS 80 L | - | - | - | - | - | - | - | - | - | - | - | - | - | - | - | - | 172 | 146 | 160 | 300 | 46 | 55 | 55 | 18 |

Single-phase 4-pole motors

| Fr. size | LS | | | | | | |  kg | LS FMD | | | | | | |  kg |
|----------------|-----|-----|-----|----------------------------------|----|-----|-------|--|--------|-----|-----|----------------------------------|----|-----|-------|---|
| | AC | HJ | J | LB ¹ /LB ² | LJ | I | II | | AC | HJ | J | LB ¹ /LB ² | LJ | I | II | |
| LS 56 | 110 | 92 | 86 | 167/146 | 19 | 90 | 44 | 3.5 | 110 | 92 | 86 | 217/196 | 18 | 90 | 44 | 4.4 |
| LS 63 | 124 | 97 | 138 | 183/161 | 29 | 100 | 102.5 | 5 | 124 | 97 | 138 | 233/211 | 29 | 100 | 102.5 | 5.9 |
| LS 71 L | 140 | 107 | 138 | 204/166 | 29 | 100 | 102.5 | 8 | 140 | 107 | 138 | 244/216 | 29 | 100 | 102.5 | 8.9 |

1. ventilated motor.

2. non-ventilated motor.

Electromechanical products

Compabloc 3000

Dimensions

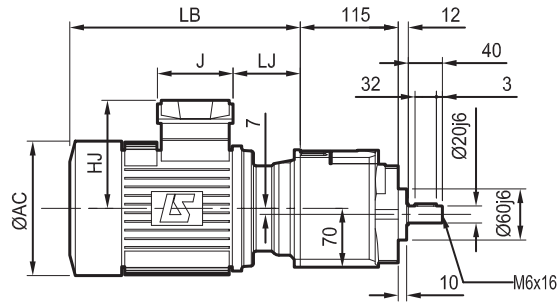
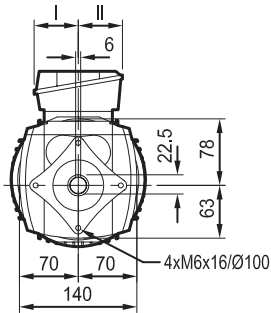
Dimensions of Compabloc (Cb) gearboxes, MI integral mounting,
Cb 3033

Dimensions in millimetres

- BT faceplate form



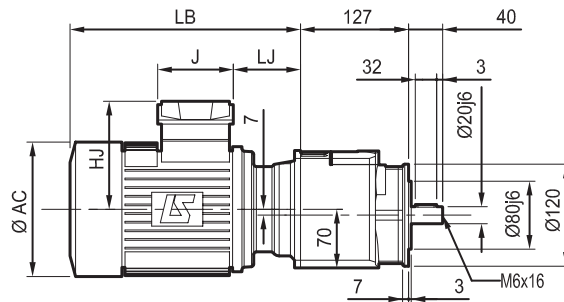
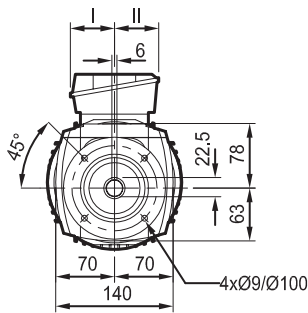
Cb: 4.7 kg + Motor



- BD1 flange



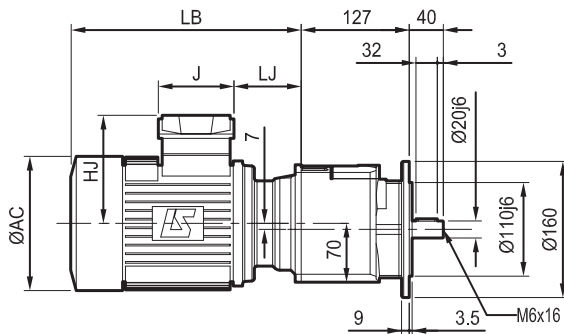
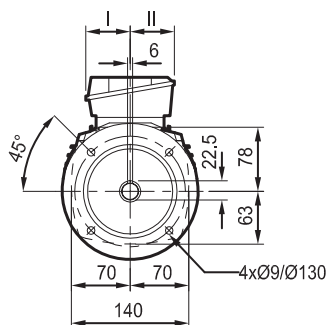
Cb: 4.8 kg + Motor



- BD2 flange



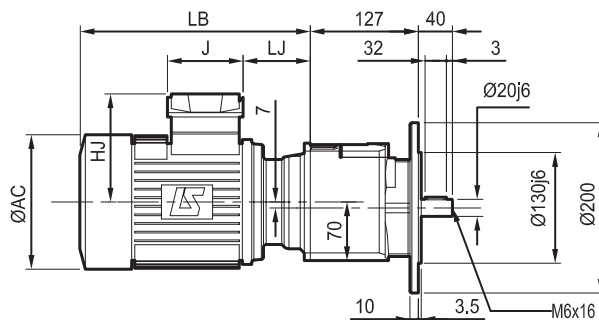
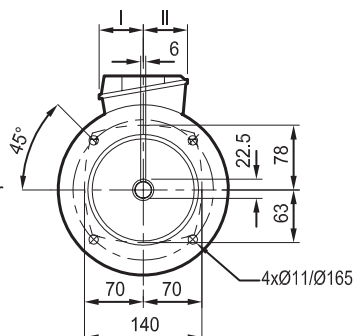
Cb: 5 kg + Motor



- BD3 flange



Cb: 5.1 kg + Motor



Electromechanical products


Compabloc 3000

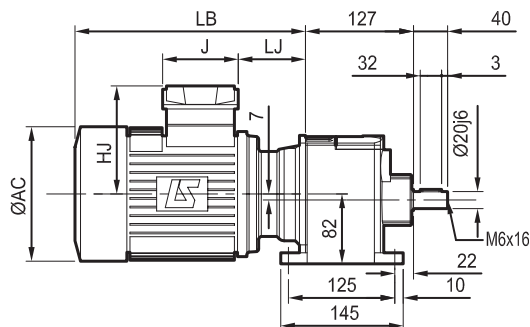
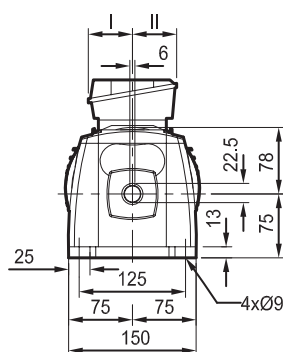
Dimensions

Dimensions of Compabloc (Cb) gearboxes, MI integral mounting, Cb 3033


Dimensions in millimetres

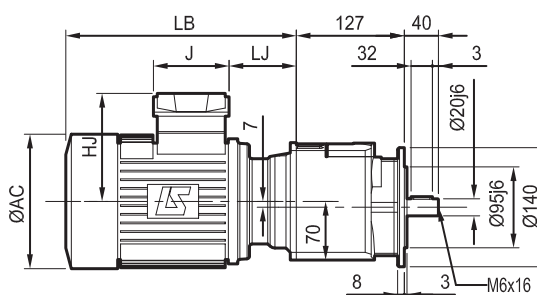
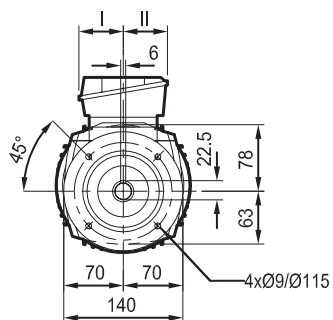
- S foot mounted

 Cb: 4.9 kg + Motor





- Standard BS flange




 Cb: 4.9 kg + Motor





Three-phase 4-pole motors

| Fr. size | LSES | | | | | | |  kg | LSES FCR | | | | | | |  kg |
|--------------|------|-----|----|-----|----|----|----|--|----------|-----|-----|-------|----|----|----|--|
| | AC | HJ | J | LB | LJ | I | II | | AC | HJ | J | LB | LJ | I | II | |
| LS 80 | 170 | 135 | 86 | 309 | 77 | 43 | 43 | 11.7 | 172 | 146 | 160 | 349.5 | 46 | 55 | 55 | 18 |

Three-phase 4-pole motors

| Fr. size | LS | | | | | | |  kg | LS FMD | | | | | | |  kg | LS FCR | | | | | | |  kg |
|----------------|-----|-----|----|-----|----|----|----|--|--------|----|----|-----|----|------|------|--|--------|-----|-----|-----|----|----|----|--|
| | AC | HJ | J | LB | LJ | I | II | | AC | HJ | J | LB | LJ | I | II | | AC | HJ | J | LB | LJ | I | II | |
| LS 56 | 110 | 84 | 86 | 167 | 19 | 43 | 43 | 4 | 110 | 90 | 85 | 217 | 19 | 42.5 | 42.5 | 4.9 | - | - | - | - | - | - | - | - |
| LS 63 | 124 | 89 | 86 | 183 | 29 | 43 | 43 | 5 | 124 | 96 | 85 | 233 | 29 | 42.5 | 42.5 | 5.7 | - | - | - | - | - | - | - | - |
| LS 71 L | 140 | 109 | 86 | 240 | 73 | 43 | 43 | 8.3 | - | - | - | - | - | - | - | - | 140 | 135 | 160 | 268 | 34 | 55 | 55 | 11.3 |
| LS 80 L | - | - | - | - | - | - | - | - | - | - | - | - | - | - | - | - | 172 | 146 | 160 | 300 | 46 | 55 | 55 | 18 |

Single-phase 4-pole motors

| Fr. size | LS | | | | | | |  kg | LS FMD | | | | | | |  kg |
|----------------|-----|-----|-----|----------------------------------|----|-----|-------|--|--------|-----|-----|----------------------------------|----|-----|-------|--|
| | AC | HJ | J | LB ¹ /LB ² | LJ | I | II | | AC | HJ | J | LB ¹ /LB ² | LJ | I | II | |
| LS 56 | 110 | 92 | 86 | 167/146 | 19 | 90 | 44 | 3.5 | 110 | 92 | 86 | 217/196 | 18 | 90 | 44 | 4.4 |
| LS 63 | 124 | 97 | 138 | 183/161 | 29 | 100 | 102.5 | 5 | 124 | 97 | 138 | 233/211 | 29 | 100 | 102.5 | 5.9 |
| LS 71 L | 140 | 107 | 138 | 204/166 | 29 | 100 | 102.5 | 8 | 140 | 107 | 138 | 244/216 | 29 | 100 | 102.5 | 8.9 |

1. ventilated motor.
2. non-ventilated motor.

Electromechanical products


Compabloc 3000

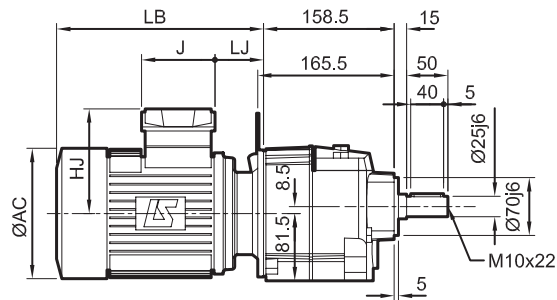
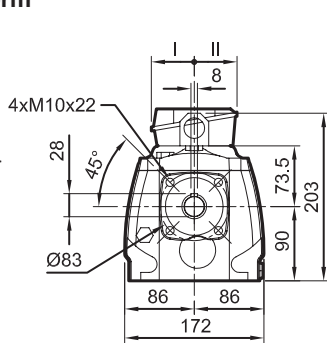
Dimensions

Dimensions of Compabloc (Cb) gearboxes, MI integral mounting,
Cb 3133


Dimensions in millimetres

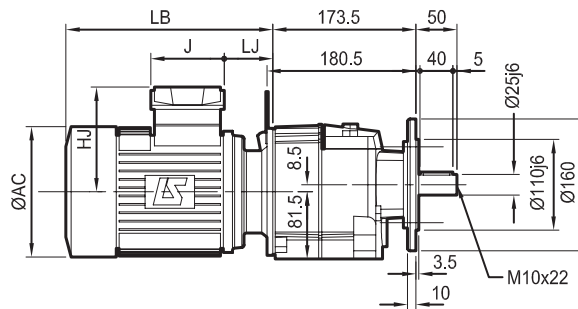
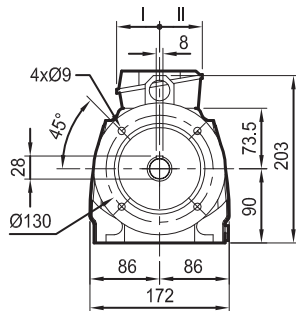
- BT faceplate form

 Cb: 12.7 kg + Motor




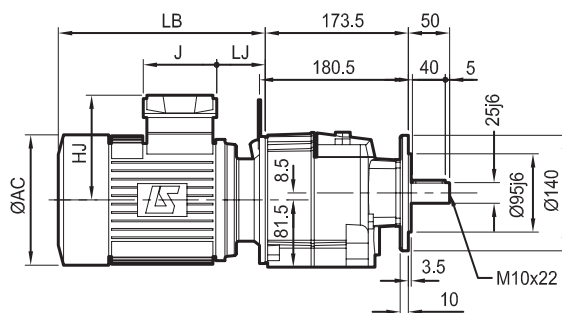
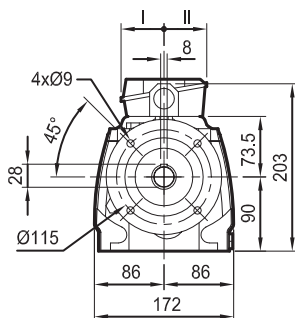
- BD1 flange

 Cb: 13.3 kg + Motor




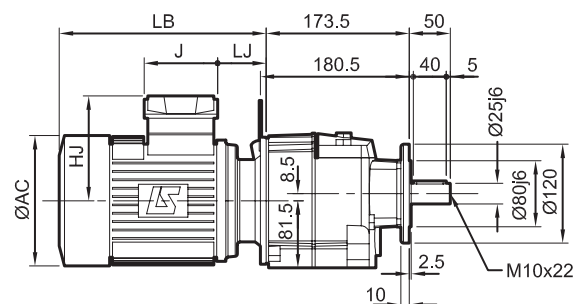
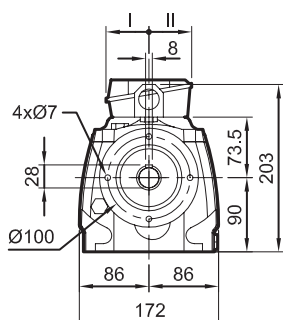
- BD2 flange

 Cb: 13.2 kg + Motor



- BD3 flange

 Cb: 13.1 kg + Motor



Electromechanical products

Compabloc 3000

Dimensions

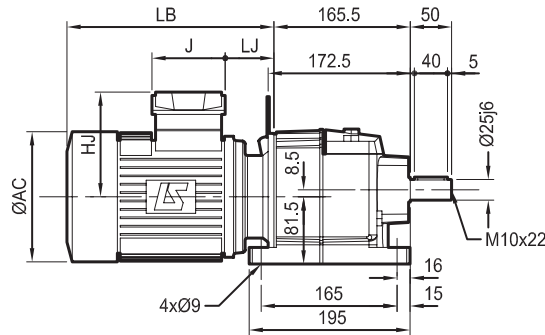
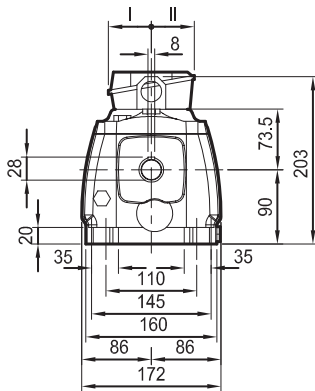
Dimensions of Compabloc (Cb) gearboxes, MI integral mounting, Cb 3133

Dimensions in millimetres

- S foot mounted



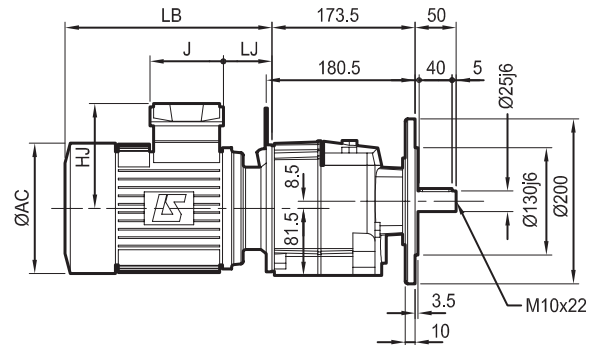
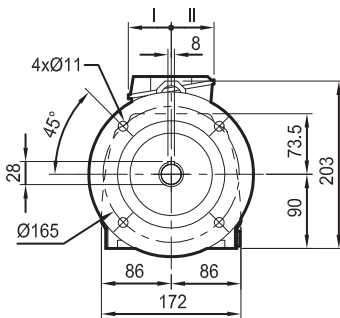
Cb: 13 kg + Motor



- Standard BS flange



Cb: 13.4 kg + Motor



4-pole motors

| Fr. size | LSES | | | | | | | | LSES FCR | | | | | | | |
|--------------------|------|-----|----|-------|------|----|----|------|----------|-----|-----|-------|------|----|----|------|
| | AC | HJ | J | LB | LJ | I | II | kg | AC | HJ | J | LB | LJ | I | II | kg |
| LSES 80 | 170 | 135 | 86 | 288.5 | 67.5 | 43 | 43 | 11.7 | 172 | 146 | 160 | 349.5 | 46 | 55 | 55 | 18 |
| LSES 90 | 190 | 135 | 86 | 290 | 71 | 43 | 43 | 15.2 | 184 | 156 | 160 | 349.5 | 58.5 | 55 | 55 | 24.2 |
| LSES 100 LR | 200 | 140 | 86 | 354.5 | 72 | 43 | 43 | 25.7 | 200 | 161 | 160 | 410 | 59.5 | 55 | 55 | 30 |

4-pole motors

| Fr. size | LS | | | | | | | | LS FCR | | | | | | | |
|-----------------|-----|-----|----|-----|----|----|----|-----|--------|-----|-----|-------|------|----|----|------|
| | AC | HJ | J | LB | LJ | I | II | kg | AC | HJ | J | LB | LJ | I | II | kg |
| LS 71 L | 140 | 109 | 86 | 217 | 49 | 43 | 43 | 8.3 | 140 | 135 | 160 | 268 | 34 | 55 | 55 | 11.3 |
| LS 80 L | - | - | - | - | - | - | - | - | 172 | 146 | 160 | 300 | 46 | 55 | 55 | 18 |
| LS 90 L | - | - | - | - | - | - | - | - | 184 | 156 | 160 | 349.5 | 58.5 | 55 | 55 | 24.2 |
| LS 100 L | - | - | - | - | - | - | - | - | 200 | 161 | 160 | 397.5 | 59.5 | 55 | 55 | 30 |

Electromechanical products


Compabloc 3000

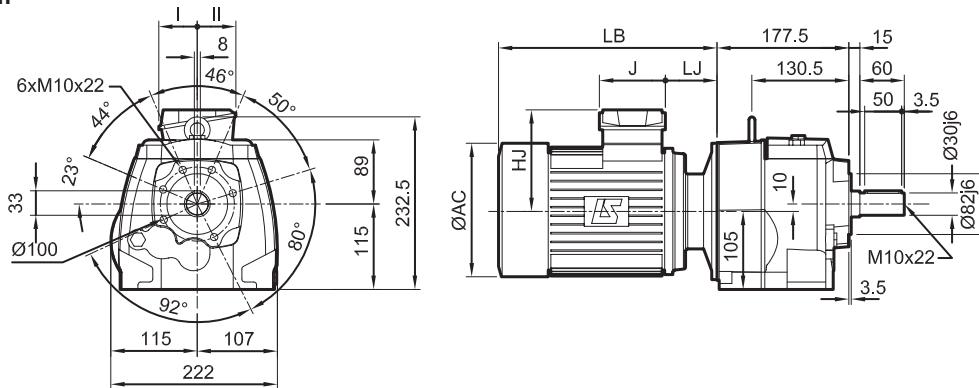
Dimensions

Dimensions of Compabloc (Cb) gearboxes, MI integral mounting,
Cb 3233


Dimensions in millimetres

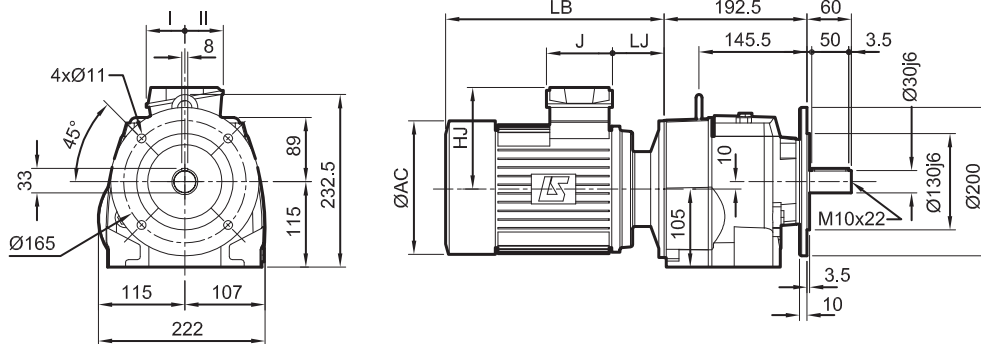
- BT faceplate form

 Cb: 18.2 kg + Motor




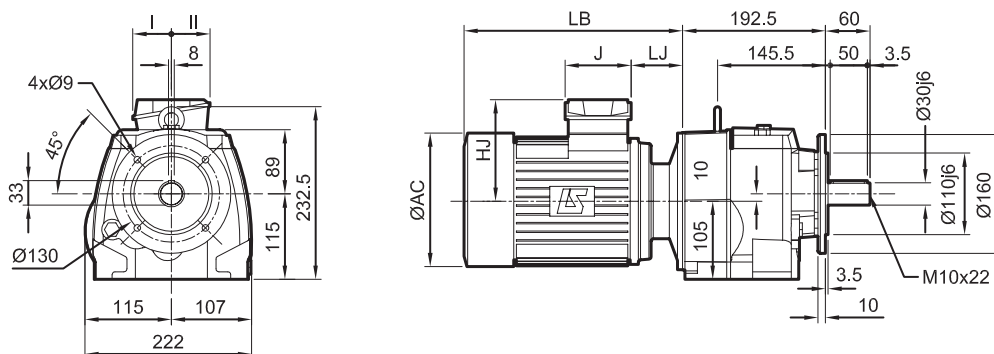
- BD1 flange

 Cb: 18.7 kg + Motor



- BD2 flange

 Cb: 18.6 kg + Motor



Electromechanical products


Compabloc 3000

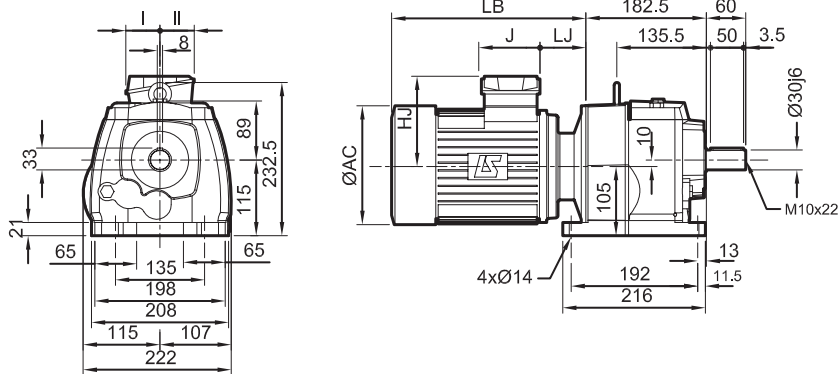
Dimensions

Dimensions of Compabloc (Cb) gearboxes, MI integral mounting, Cb 3233


Dimensions in millimetres

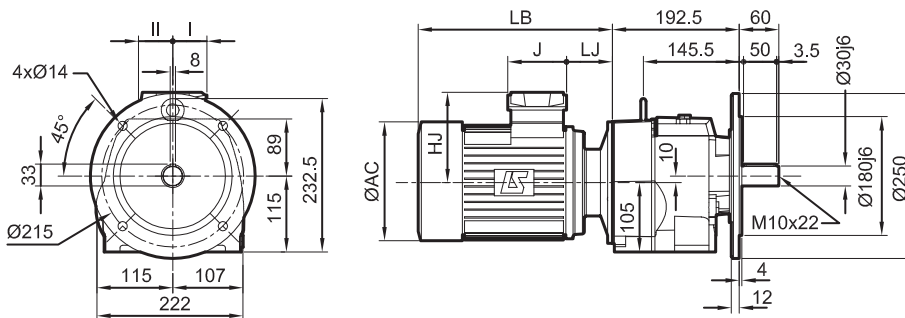
- S foot mounted



 Cb: 18.5 kg + Motor





- Standard BS flange

 Cb: 18.8 kg + Motor



| Fr. size | 4-pole motors | | | | | | | |  kg | 4-pole motors | | | | | | | |  kg | | | | | | |
|--------------------|---------------|-----|-----|-------|----------|----|----|------|--|---------------|-----|-------|------|----------|----|----|-----|--|-----|-------|------|----|----|------|
| | LSES | | | | LSES FCR | | | | | LSES | | | | LSES FCR | | | | | | | | | | |
| | AC | HJ | J | LB | LJ | I | II | AC | | HJ | J | LB | LJ | I | II | AC | HJ | | J | LB | LJ | I | II | |
| LSES 80 | 170 | 135 | 86 | 288 | 67.5 | 43 | 43 | 11.7 | 172 | 146 | 160 | 349.5 | 46 | 55 | 55 | 18 | 184 | 156 | 160 | 349.5 | 58.5 | 55 | 55 | 24.2 |
| LSES 90 | 190 | 135 | 86 | 290 | 71 | 43 | 43 | 15.2 | 200 | 161 | 160 | 410 | 59.5 | 55 | 55 | 30 | 235 | 169 | 160 | 434 | 61 | 55 | 55 | 44.5 |
| LSES 100 LR | 200 | 140 | 86 | 354.5 | 72 | 43 | 43 | 25.7 | 235 | 169 | 160 | 477 | 61 | 55 | 55 | 48 | | | | | | | | |
| LSES 112 MU | 235 | 149 | 86 | 371 | 73.5 | 43 | 43 | 35 | | | | | | | | | | | | | | | | |
| LSES 132 SU | 260 | 172 | 126 | 397 | 52.5 | 63 | 63 | 42 | | | | | | | | | | | | | | | | |

| Fr. size | 4-pole motors | | | | | | | |  kg | 4-pole motors | | | | | | | |  kg | | | | | | |
|------------------|---------------|-----|----|-----|--------|----|----|-----|--|---------------|-----|-------|------|--------|----|------|-----|--|-----|-------|------|----|----|------|
| | LS | | | | LS FCR | | | | | LS | | | | LS FCR | | | | | | | | | | |
| | AC | HJ | J | LB | LJ | I | II | AC | | HJ | J | LB | LJ | I | II | AC | HJ | | J | LB | LJ | I | II | |
| LS 71 L | 140 | 109 | 86 | 217 | 49 | 43 | 43 | 8.3 | 140 | 135 | 160 | 268 | 34 | 55 | 55 | 11.3 | 172 | 146 | 160 | 300 | 46 | 55 | 55 | 18 |
| LS 80 L | - | - | - | - | - | - | - | - | 172 | 146 | 160 | 300 | 46 | 55 | 55 | 18 | 184 | 156 | 160 | 349.5 | 58.5 | 55 | 55 | 24.2 |
| LS 90 L | - | - | - | - | - | - | - | - | 200 | 161 | 160 | 397.5 | 59.5 | 55 | 55 | 30 | 235 | 169 | 160 | 434 | 61 | 55 | 55 | 44.5 |
| LS 100 L | - | - | - | - | - | - | - | - | 235 | 169 | 160 | 457 | 61 | 55 | 55 | 48 | | | | | | | | |
| LS 112 MG | - | - | - | - | - | - | - | - | | | | | | | | | | | | | | | | |
| LS 132 S | - | - | - | - | - | - | - | - | | | | | | | | | | | | | | | | |

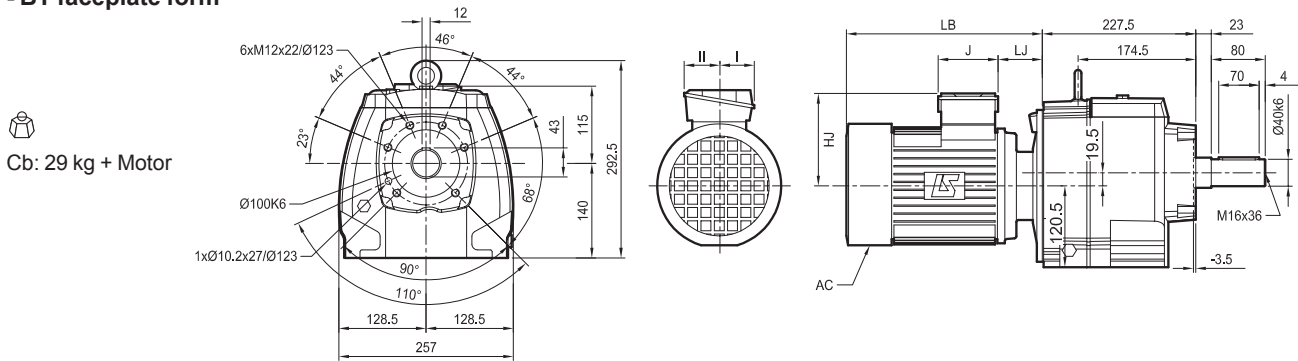
Electromechanical products

Compabloc 3000

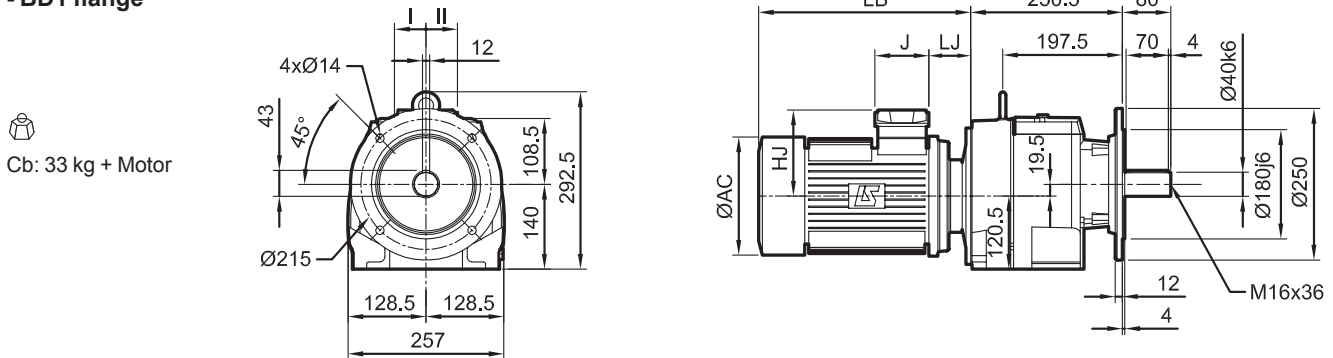
Dimensions

Dimensions of Compabloc (Cb) gearboxes, MI integral mounting,
Cb 3333

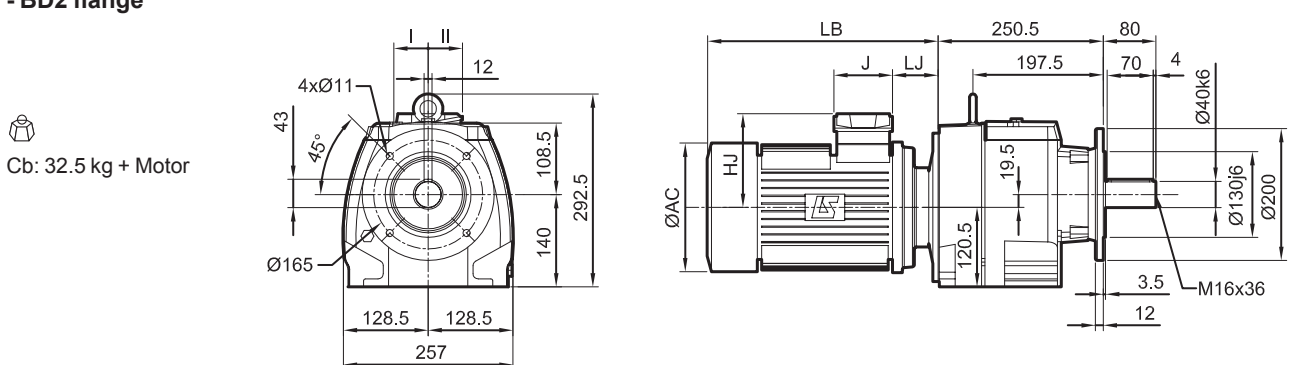
- BT faceplate form



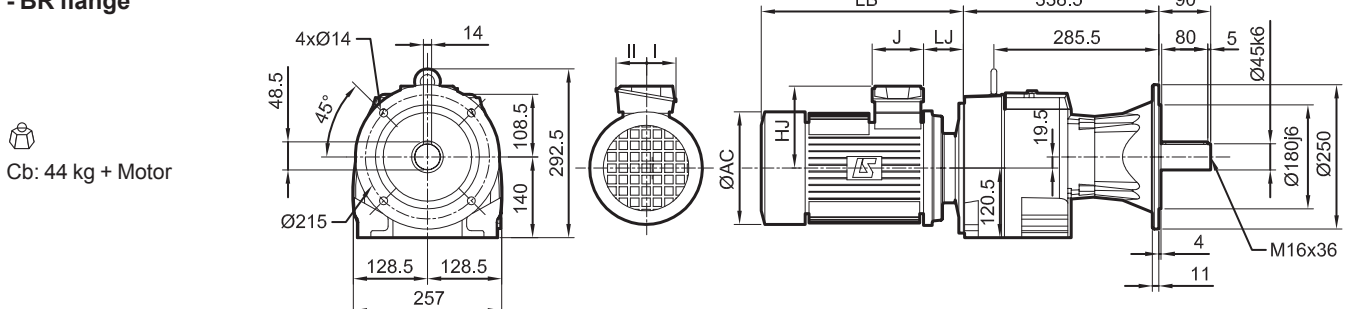
- BD1 flange



- BD2 flange



- BR flange



Electromechanical products


Compabloc 3000

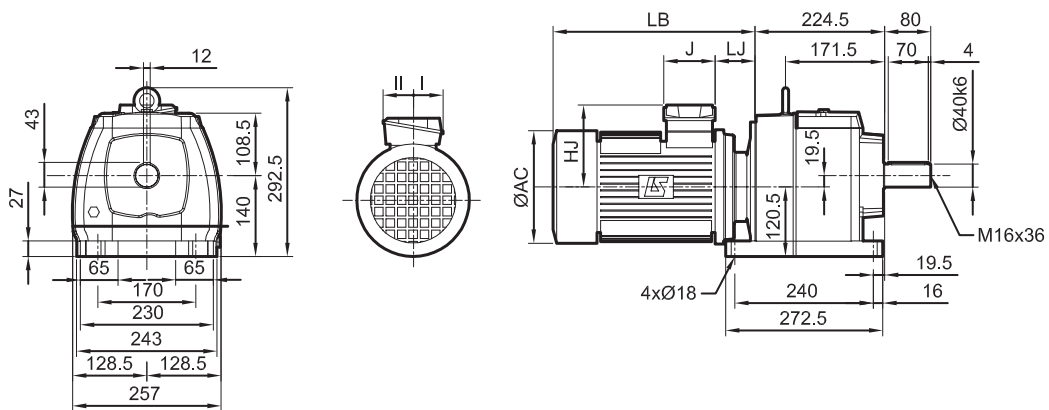
Dimensions

Dimensions of Compabloc (Cb) gearboxes, MI integral mounting,
Cb 3333


Dimensions in millimetres

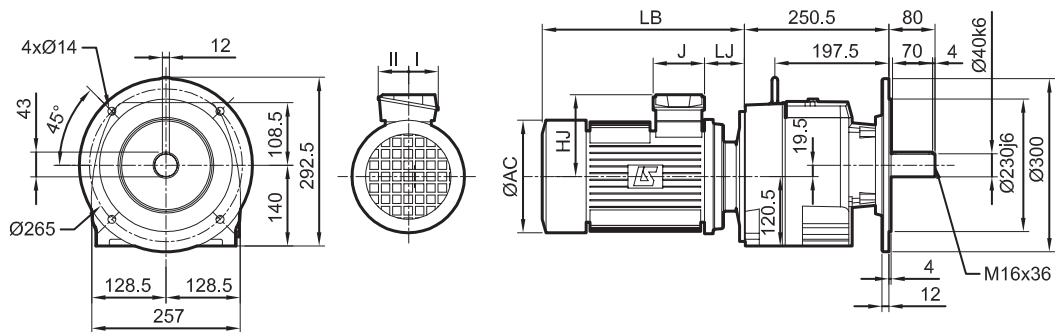
- S foot mounted



 Cb: 30 kg + Motor





- Standard BS flange

 Cb: 34 kg + Motor



| Fr. size | 4-pole motors | | | | | | | |  kg | 4-pole motors | | | | | | | |  kg |
|--------------------|---------------|-----|-----|-------|----------|----|----|------|--|---------------|-----|-------|------|----------|----|------|--|---|
| | LSES | | | | LSES FCR | | | | | LSES | | | | LSES FCR | | | | |
| | AC | HJ | J | LB | LJ | I | II | AC | | HJ | J | LB | LJ | I | II | | | |
| LSES 80 | 170 | 135 | 86 | 284 | 63.5 | 43 | 43 | 11.7 | 172 | 146 | 160 | 345.5 | 42 | 55 | 55 | 18 | | |
| LSES 90 | 190 | 135 | 86 | 286 | 67 | 43 | 43 | 15.2 | 184 | 156 | 160 | 345.5 | 54.5 | 55 | 55 | 24.2 | | |
| LSES 100 LR | 200 | 140 | 86 | 350.5 | 68 | 43 | 43 | 25.7 | 200 | 161 | 160 | 406 | 55.5 | 55 | 55 | 30 | | |
| LSES 112 MU | 235 | 149 | 86 | 367 | 69.5 | 43 | 43 | 35 | 235 | 169 | 160 | 430 | 58 | 55 | 55 | 44.5 | | |
| LSES 132 MU | 265 | 190 | 126 | 460 | 65 | 63 | 63 | 68 | 280 | 188 | 160 | 541 | 73 | 55 | 55 | 80 | | |

| Fr. size | 4-pole motors | | | | | | | |  kg | 4-pole motors | | | | | | | |  kg |
|------------------|---------------|-----|----|-----|--------|----|----|-----|--|---------------|-----|-------|------|--------|----|------|--|---|
| | LS | | | | LS FCR | | | | | LS | | | | LS FCR | | | | |
| | AC | HJ | J | LB | LJ | I | II | AC | | HJ | J | LB | LJ | I | II | | | |
| LS 71 L | 140 | 109 | 86 | 213 | 45 | 43 | 43 | 8.3 | 140 | 135 | 160 | 264 | 21.5 | 55 | 55 | 11.3 | | |
| LS 80 L | - | - | - | - | - | - | - | - | 172 | 146 | 160 | 296 | 42 | 55 | 55 | 18 | | |
| LS 90 L | - | - | - | - | - | - | - | - | 184 | 156 | 160 | 345.5 | 54.5 | 55 | 55 | 24.2 | | |
| LS 100 L | - | - | - | - | - | - | - | - | 200 | 161 | 160 | 393.5 | 55.5 | 55 | 55 | 30 | | |
| LS 112 MG | - | - | - | - | - | - | - | - | 235 | 169 | 160 | 430 | 58 | 55 | 55 | 44.5 | | |
| LS 132 M | - | - | - | - | - | - | - | - | 280 | 188 | 160 | 541 | 73 | 55 | 55 | 80 | | |

Electromechanical products

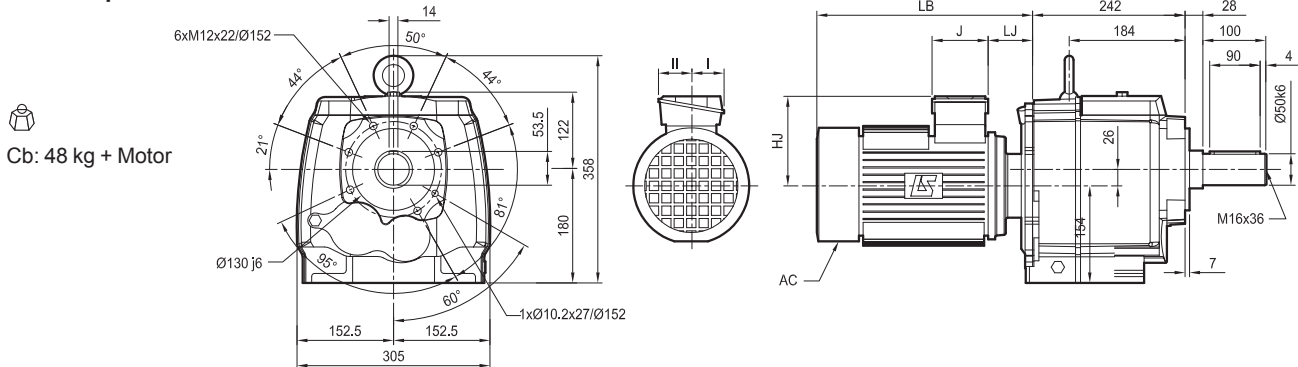
Compabloc 3000

Dimensions

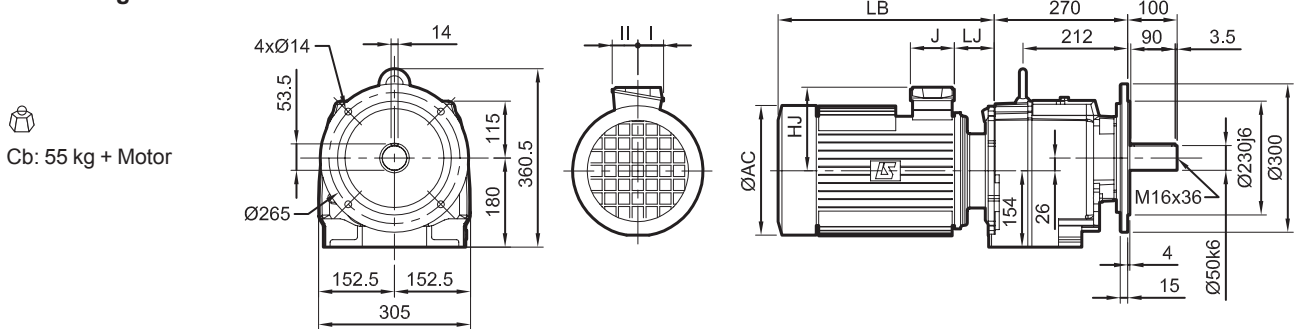
Dimensions of Compabloc (Cb) gearboxes, MI integral mounting,
Cb 3433

Dimensions in millimetres

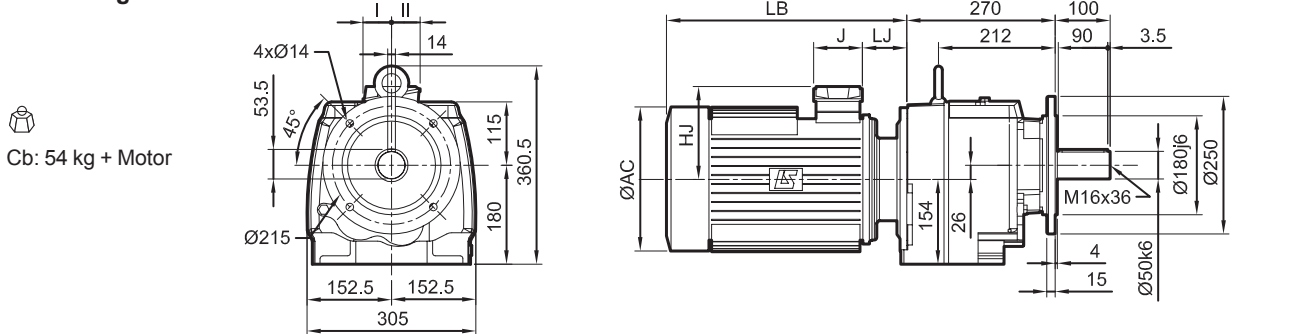
- BT faceplate form



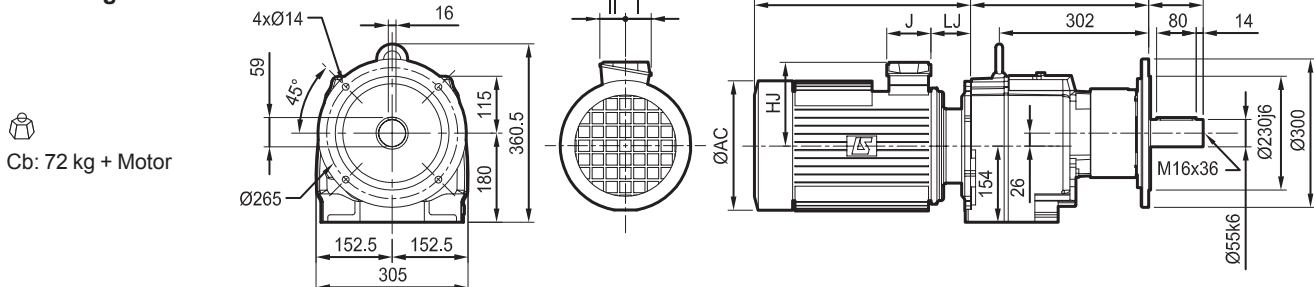
- BD1 flange



- BD2 flange



- BR flange



Electromechanical products


Compabloc 3000

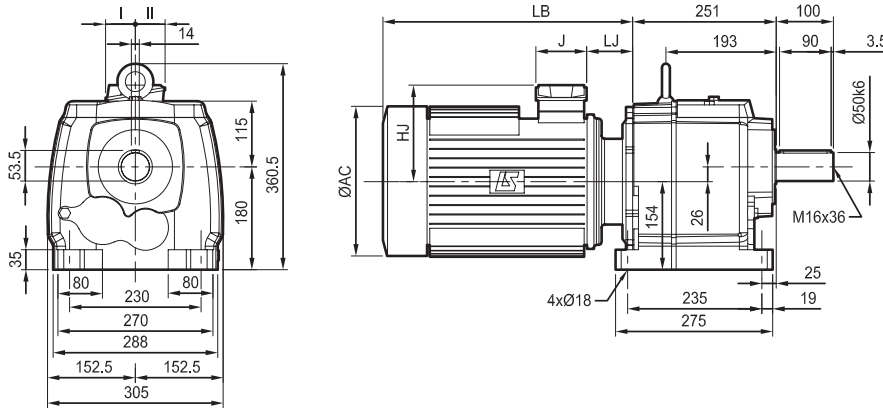
Dimensions

Dimensions of Compabloc (Cb) gearboxes, MI integral mounting,
Cb 3433


Dimensions in millimetres

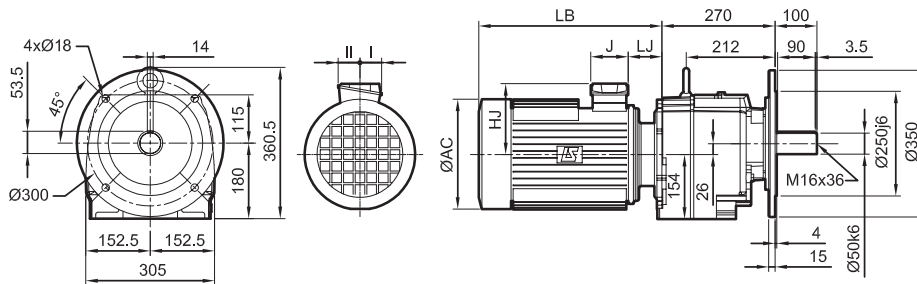
- S foot mounted

 Cb: 50 kg + Motor



- Standard BS flange

 Cb: 56 kg + Motor



| Fr. size | 4-pole motors | | | | | | | | | | | | | | | | | | | | | | | | |
|-------------|---------------|-----|-----|-------|------|-----|----|----------|-----|-----|-----|-------|------|----|-----------|------|-----|-----|-----|-----|------|----|----|-----|---|
| | LSES | | | | | | | LSES FCR | | | | | | | LSES FCPL | | | | | | | | | | |
| | AC | HJ | J | LB | LJ | I | II | kg | AC | HJ | J | LB | LJ | I | II | kg | AC | HJ | J | LB | LJ | I | II | kg | |
| LSES 80 LG | 170 | 135 | 86 | 288.5 | 68 | 43 | 43 | 11.7 | 172 | 146 | 160 | 345.5 | 46.5 | 55 | 55 | 18 | - | - | - | - | - | - | - | - | - |
| LSES 90 L | 190 | 135 | 86 | 286 | 67 | 43 | 43 | 15.2 | 184 | 156 | 160 | 345.5 | 54.5 | 55 | 55 | 24.2 | - | - | - | - | - | - | - | - | - |
| LSES 100 LR | 200 | 140 | 86 | 350.5 | 68 | 43 | 43 | 25.7 | 200 | 161 | 160 | 406 | 55.5 | 55 | 55 | 30 | - | - | - | - | - | - | - | - | - |
| LSES 112 MU | 235 | 149 | 86 | 367 | 69.5 | 43 | 43 | 35 | 235 | 169 | 160 | 434 | 62 | 55 | 55 | 44.5 | - | - | - | - | - | - | - | - | - |
| LSES 132 MU | 265 | 190 | 126 | 464 | 69 | 63 | 63 | 68 | 280 | 188 | 160 | 545 | 77 | 55 | 55 | 80 | - | - | - | - | - | - | - | - | - |
| LSES 160 L | 312 | 222 | 126 | 508 | 60.8 | 63 | 63 | 91 | 316 | 231 | 160 | 620 | 96 | 55 | 55 | 110 | 345 | 235 | 134 | 681 | 56.8 | 92 | 63 | 140 | |
| LSES 180 LR | 312 | 248 | 186 | 533 | 67.8 | 112 | 98 | 115 | - | - | - | - | - | - | - | - | 345 | 235 | 134 | 696 | 57 | 92 | 63 | 155 | |

| Fr. size | 4-pole motors | | | | | | | | | | | | | | | |
|-----------|---------------|-----|-----|-------|------|----|----|---------|-----|-----|-----|-----|------|----|----|-----|
| | LS FCR | | | | | | | LS FCPL | | | | | | | | |
| | AC | HJ | J | LB | LJ | I | II | kg | AC | HJ | J | LB | LJ | I | II | kg |
| LS 80 L | 172 | 146 | 160 | 300.5 | 46.5 | 55 | 55 | 18 | - | - | - | - | - | - | - | - |
| LS 90 L | 184 | 156 | 160 | 345.5 | 54.5 | 55 | 55 | 24.2 | - | - | - | - | - | - | - | - |
| LS 100 L | 200 | 161 | 160 | 393.5 | 55.5 | 55 | 55 | 30 | - | - | - | - | - | - | - | - |
| LS 112 MG | 235 | 169 | 160 | 434 | 61 | 55 | 55 | 44.5 | - | - | - | - | - | - | - | - |
| LS 132 M | 280 | 188 | 160 | 545 | 77 | 55 | 55 | 80 | - | - | - | - | - | - | - | - |
| LS 160 L | 316 | 231 | 160 | 620 | 96 | 55 | 55 | 110 | 345 | 235 | 134 | 681 | 56.8 | 92 | 63 | 140 |
| LS 180 LR | - | - | - | - | - | - | - | - | 345 | 235 | 134 | 696 | 57 | 92 | 63 | 155 |

Electromechanical products

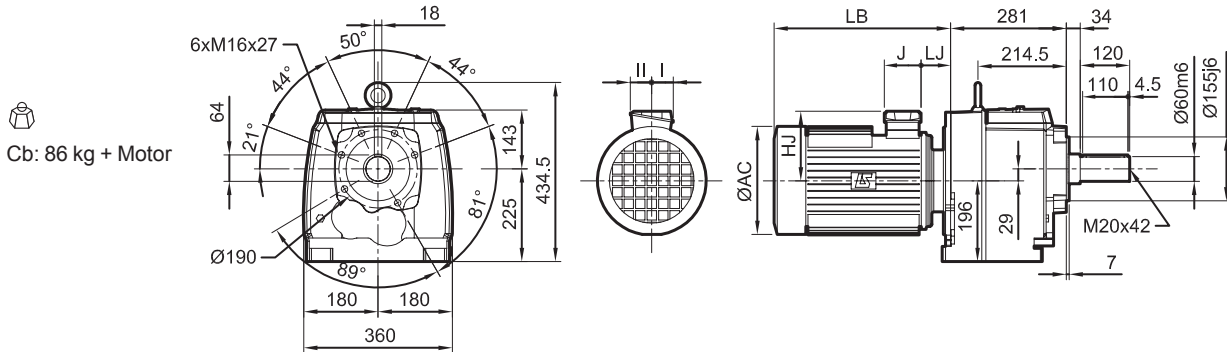
Compabloc 3000

Dimensions

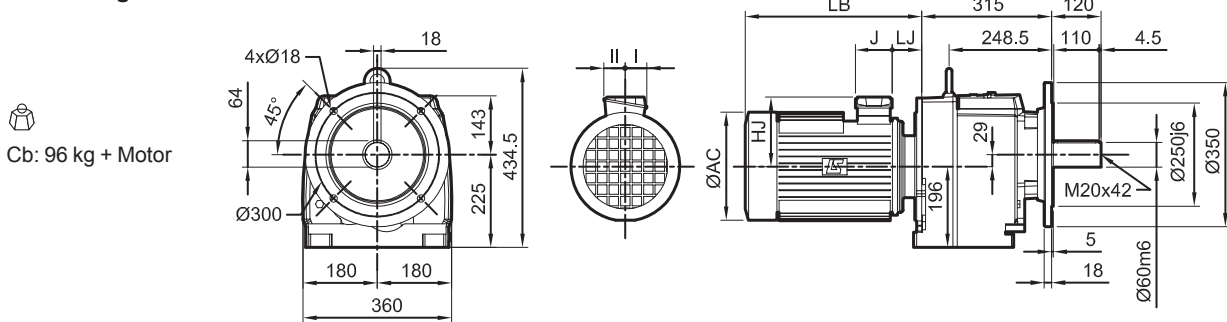
Dimensions of Compabloc (Cb) gearboxes, MI integral mounting,
Cb 3533

Dimensions in millimetres

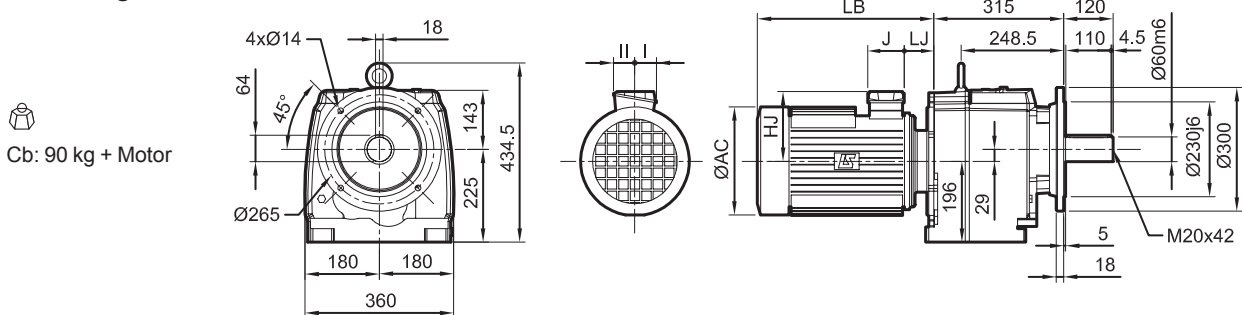
- BT faceplate form



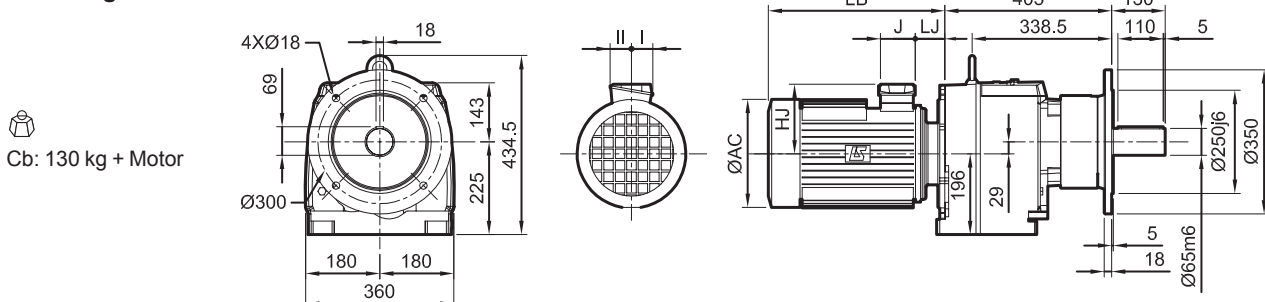
- BD1 flange



- BD2 flange



- BR flange



Electromechanical products


Compabloc 3000

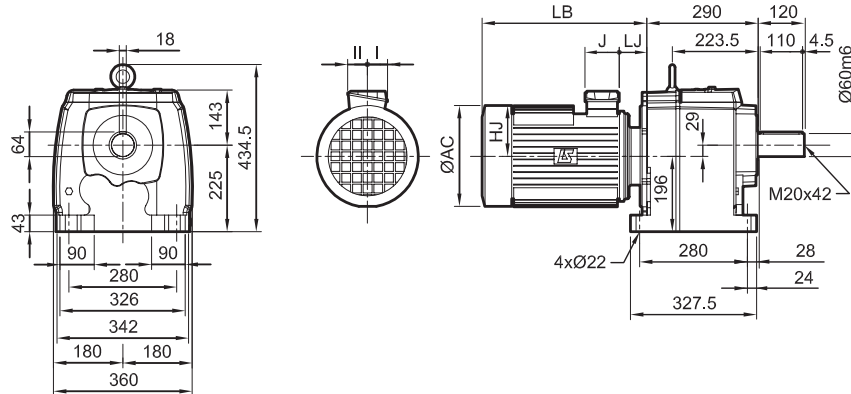
Dimensions

Dimensions of Compabloc (Cb) gearboxes, MI integral mounting,
Cb 3533


Dimensions in millimetres

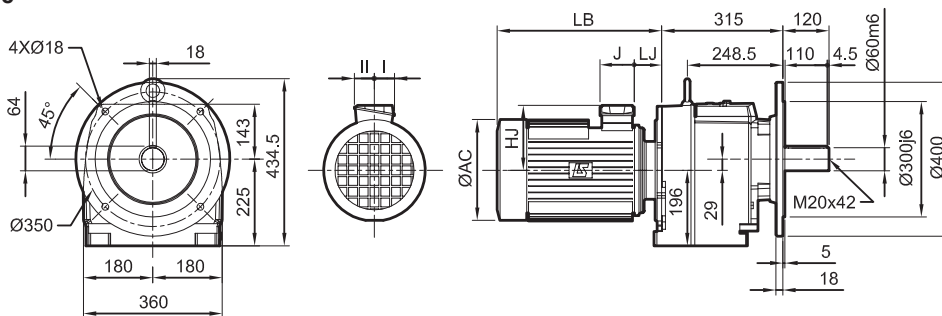
- S foot mounted

 Cb: 90 kg + Motor



- Standard BS flange

 Cb: 97 kg + Motor



| Fr. size | 4-pole motors | | | | | | | | | | | | | | | | | | | | | | | | |
|-------------|---------------|-----|-----|-------|------|-----|----|----------|-----|-----|-----|-------|------|----|-----------|------|-----|-----|-----|-----|------|-----|----|-----|---|
| | LSES | | | | | | | LSES FCR | | | | | | | LSES FCPL | | | | | | | | | | |
| | AC | HJ | J | LB | LJ | I | II | kg | AC | HJ | J | LB | LJ | I | II | kg | AC | HJ | J | LB | LJ | I | II | kg | |
| LSES 90 L | 190 | 135 | 86 | 281 | 62 | 43 | 43 | 15.2 | 184 | 156 | 160 | 340.5 | 49.5 | 55 | 55 | 24.2 | - | - | - | - | - | - | - | - | - |
| LSES 100 LR | 200 | 140 | 86 | 345.5 | 63 | 43 | 43 | 25.7 | 200 | 161 | 160 | 401 | 50.5 | 55 | 55 | 30 | - | - | - | - | - | - | - | - | - |
| LSES 112 MU | 235 | 149 | 86 | 362 | 64.5 | 43 | 43 | 35 | 235 | 169 | 160 | 425 | 53 | 55 | 55 | 44.5 | - | - | - | - | - | - | - | - | - |
| LSES 132 MU | 265 | 190 | 126 | 455 | 60 | 63 | 63 | 68 | 280 | 188 | 160 | 536 | 56 | 55 | 55 | 80 | - | - | - | - | - | - | - | - | - |
| LSES 160 L | 312 | 222 | 126 | 499 | 51.8 | 63 | 63 | 91 | 316 | 231 | 160 | 611 | 87 | 55 | 55 | 110 | 312 | 235 | 134 | 672 | 47.8 | 92 | 63 | 140 | |
| LSES 180 LR | 312 | 248 | 186 | 524 | 58.8 | 112 | 98 | 115 | - | - | - | - | - | - | - | - | 345 | 235 | 134 | 687 | 48 | 92 | 63 | 150 | |
| LSES 200 LR | 350 | 256 | 186 | 618 | 67.5 | 112 | 98 | 164 | - | - | - | - | - | - | - | - | 384 | 256 | 186 | 826 | 67.5 | 111 | 98 | 240 | |

| Fr. size | 4-pole motors | | | | | | | | | | | | | | | |
|-----------|---------------|-----|-----|-------|------|----|----|---------|-----|-----|-----|-----|------|-----|----|-----|
| | LS FCR | | | | | | | LS FCPL | | | | | | | | |
| | AC | HJ | J | LB | LJ | I | II | kg | AC | HJ | J | LB | LJ | I | II | kg |
| LS 90 L | 184 | 156 | 160 | 340.5 | 49.5 | 55 | 55 | 24.2 | - | - | - | - | - | - | - | - |
| LS 100 L | 200 | 161 | 160 | 388.5 | 50.5 | 55 | 55 | 30 | - | - | - | - | - | - | - | - |
| LS 112 MG | 235 | 169 | 160 | 425 | 53 | 55 | 55 | 44.5 | - | - | - | - | - | - | - | - |
| LS 132 M | 280 | 188 | 160 | 536 | 56 | 55 | 55 | 80 | - | - | - | - | - | - | - | - |
| LS 160 LR | 316 | 231 | 160 | 611 | 87 | 55 | 55 | 110 | 312 | 235 | 134 | 672 | 47.8 | 92 | 63 | 140 |
| LS 180 LR | - | - | - | - | - | - | - | - | 345 | 235 | 134 | 687 | 48 | 92 | 63 | 150 |
| LS 200 LT | - | - | - | - | - | - | - | - | 384 | 256 | 186 | 826 | 67.5 | 111 | 98 | 240 |

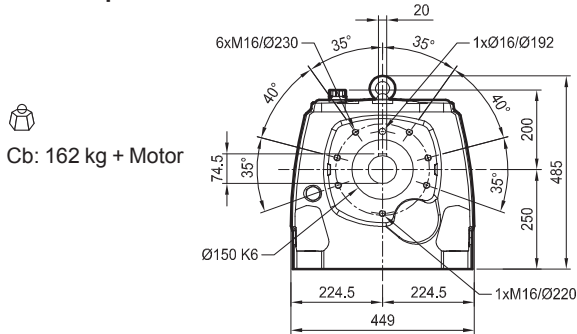
Electromechanical products Compabloc 3000

Dimensions

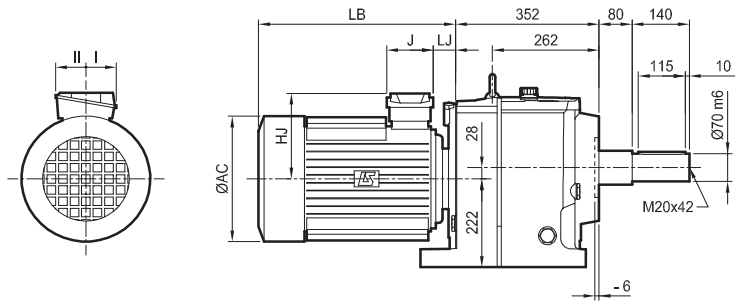
Dimensions of Compabloc (Cb) gearboxes, MI integral mounting,
Cb 3633

Dimensions in millimetres

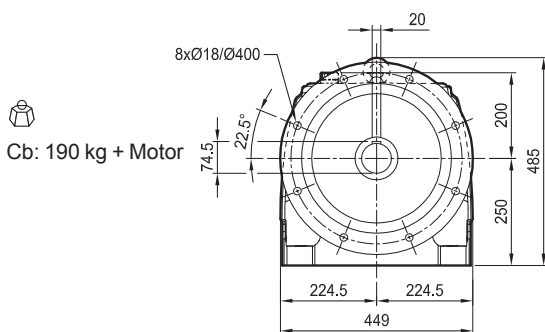
- BT faceplate form



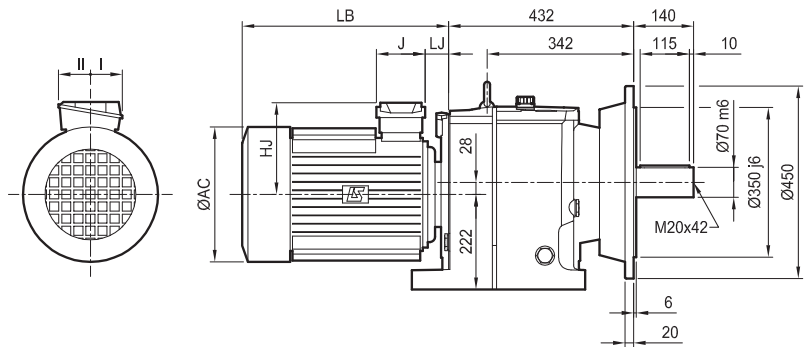
Cb: 162 kg + Motor



- BD1 flange



Cb: 190 kg + Motor



Electromechanical products


Compabloc 3000

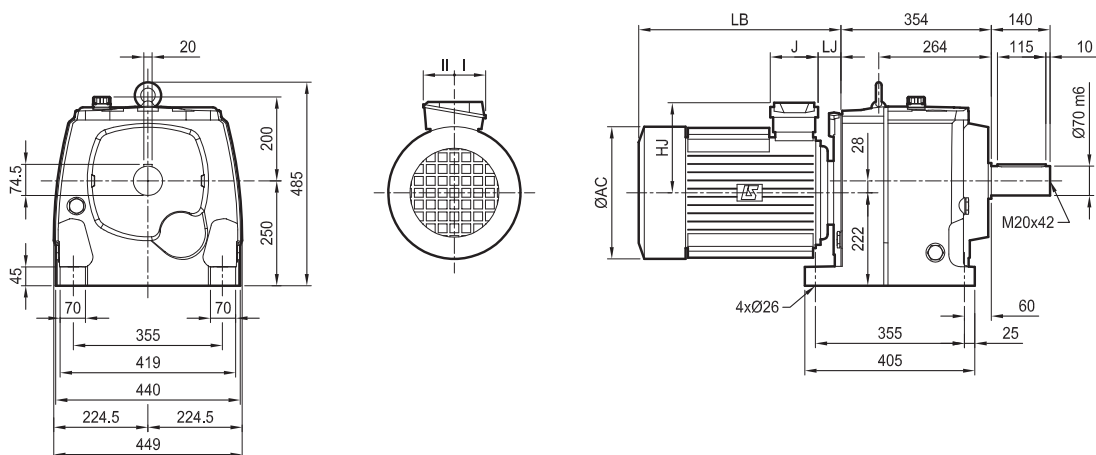
Dimensions

Dimensions of Compabloc (Cb) gearboxes, MI integral mounting,
Cb 3633


Dimensions in millimetres

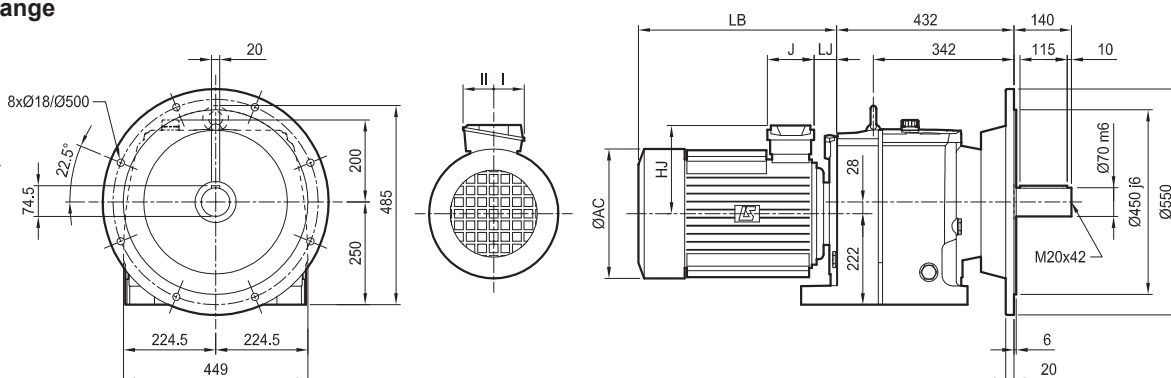
- S foot mounted




 Cb: 162 kg + Motor





- Standard BS flange

 Cb: 196 kg + Motor



| Fr. size | 4-pole motors | | | | | | | | | | | | | | | | | | | | | | | | |
|-------------|---------------|-----|-----|-------|------|-----|-----|--|----------|-----|-----|-------|------|----|----|--|-----------|-----|-----|-----|------|-----|----|--|---|
| | LSES | | | | | | | | LSES FCR | | | | | | | | LSES FCPL | | | | | | | | |
| | AC | HJ | J | LB | LJ | I | II |  kg | AC | HJ | J | LB | LJ | I | II |  kg | AC | HJ | J | LB | LJ | I | II |  kg | |
| LSES 90 L | 190 | 135 | 86 | 272 | 53 | 43 | 43 | 15.2 | 190 | 156 | 160 | 331.5 | 48.5 | 55 | 55 | 24.2 | - | - | - | - | - | - | - | - | - |
| LSES 100 LR | 200 | 140 | 86 | 336.5 | 54 | 43 | 43 | 25.7 | 200 | 161 | 160 | 394.5 | 52 | 55 | 55 | 30 | - | - | - | - | - | - | - | - | - |
| LSES 112 MU | 235 | 149 | 86 | 353 | 55.5 | 43 | 43 | 35 | 235 | 169 | 160 | 421 | 51 | 55 | 55 | 44.5 | - | - | - | - | - | - | - | - | - |
| LSES 132 MU | 265 | 190 | 126 | 446 | 51 | 63 | 63 | 68 | 280 | 188 | 160 | 527 | 66.5 | 55 | 55 | 80 | - | - | - | - | - | - | - | - | - |
| LSES 160 L | 312 | 222 | 126 | 490 | 42.8 | 63 | 63 | 91 | 316 | 231 | 160 | 564 | 58 | 55 | 55 | 110 | 345 | 235 | 134 | 672 | 47.8 | 92 | 63 | 140 | |
| LSES 180 LR | 312 | 248 | 186 | 515 | 49.8 | 112 | 98 | 115 | - | - | - | - | - | - | - | - | 345 | 235 | 134 | 678 | 39 | 92 | 63 | 150 | |
| LSES 200 LR | 350 | 256 | 186 | 609 | 58.5 | 112 | 98 | 164 | - | - | - | - | - | - | - | - | 384 | 256 | 186 | 774 | 84.5 | 111 | 98 | 240 | |
| LSES 225 MR | 390 | 310 | 231 | 674 | 59.5 | 119 | 142 | 235 | - | - | - | - | - | - | - | - | 410 | 276 | 186 | 837 | 82 | 111 | 98 | 320 | |

| Fr. size | 4-pole motors | | | | | | | | | | | | | | | | |
|-----------|---------------|-----|-----|-------|------|----|----|--|---------|-----|-----|-----|------|-----|----|--|---|
| | LS FCR | | | | | | | | LS FCPL | | | | | | | | |
| | AC | HJ | J | LB | LJ | I | II |  kg | AC | HJ | J | LB | LJ | I | II |  kg | |
| LS 90 L | 190 | 156 | 160 | 331.5 | 48.5 | 55 | 55 | 24.2 | - | - | - | - | - | - | - | - | - |
| LS 100 L | 200 | 161 | 160 | 382 | 52 | 55 | 55 | 30 | - | - | - | - | - | - | - | - | - |
| LS 112 MG | 235 | 169 | 160 | 421 | 51 | 55 | 55 | 44.5 | - | - | - | - | - | - | - | - | - |
| LS 132 M | 280 | 188 | 160 | 527 | 66.5 | 55 | 55 | 80 | - | - | - | - | - | - | - | - | - |
| LS 160 L | 316 | 231 | 160 | 564 | 58 | 55 | 55 | 110 | 345 | 235 | 134 | 672 | 47.8 | 92 | 63 | 140 | |
| LS 180 LR | - | - | - | - | - | - | - | - | 345 | 235 | 134 | 678 | 39 | 92 | 63 | 150 | |
| LS 200 LT | - | - | - | - | - | - | - | - | 384 | 256 | 186 | 774 | 84.5 | 111 | 98 | 240 | |
| LS 225 MR | - | - | - | - | - | - | - | - | 410 | 276 | 186 | 837 | 82 | 111 | 98 | 320 | |

Electromechanical products

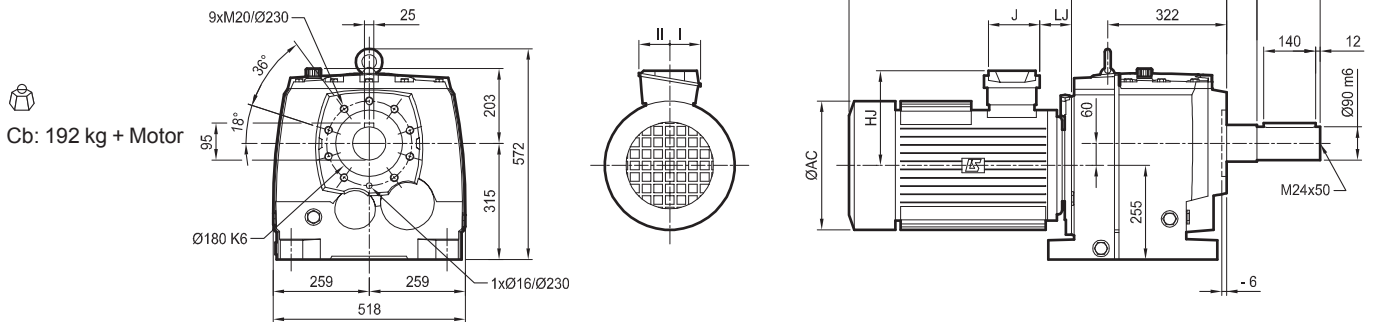
Compabloc 3000

Dimensions

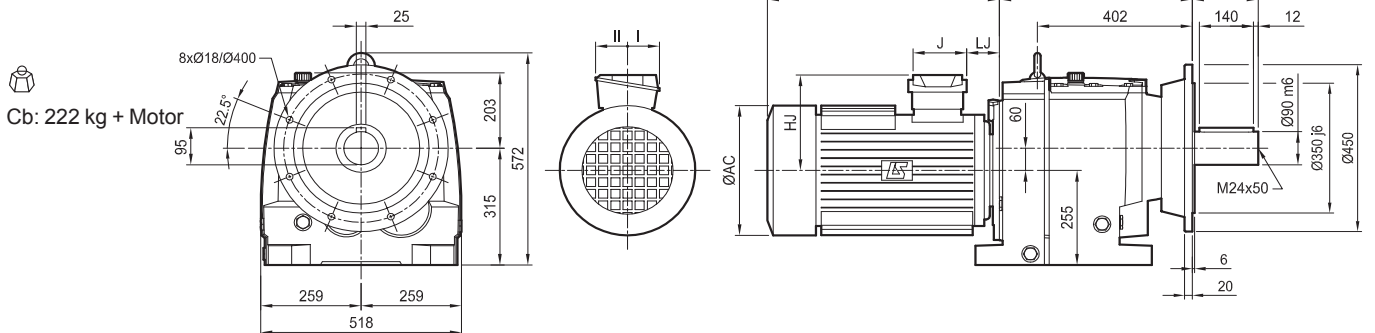
Dimensions of Compabloc (Cb) gearboxes, MI integral mounting,
Cb 3733

Dimensions in millimetres

- BT faceplate form



- BD1 flange



Electromechanical products


Compabloc 3000

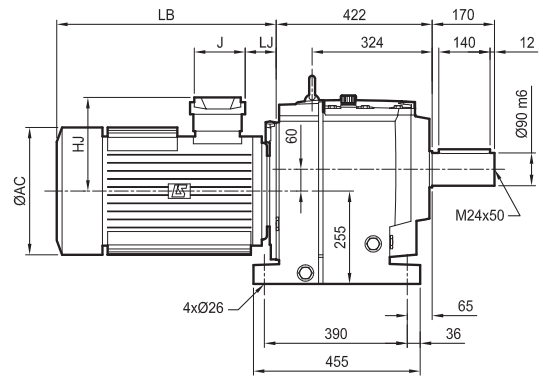
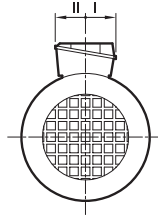
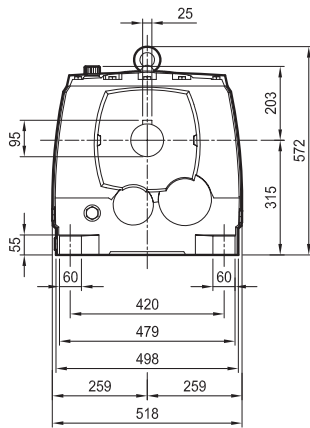
Dimensions

Dimensions of Compabloc (Cb) gearboxes, MI integral mounting,
Cb 3733


Dimensions in millimetres

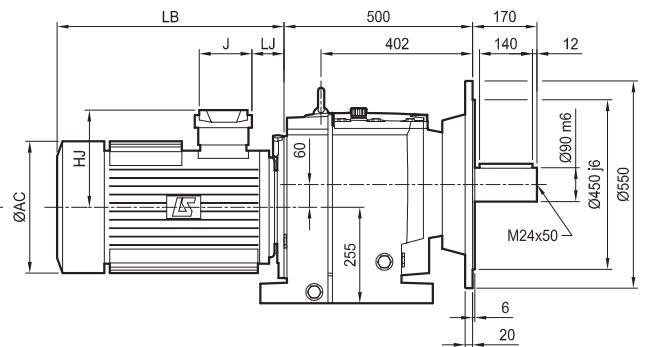
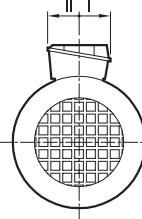
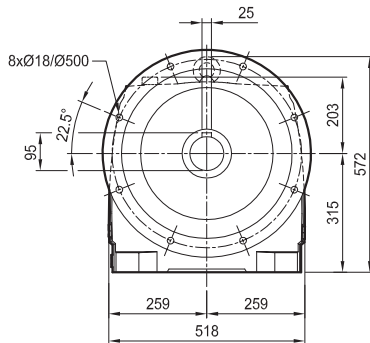
- S foot mounted




 Cb: 192 kg + Motor






- Standard BS flange

 Cb: 228 kg + Motor



| Fr. size | 4-pole motors | | | | | | | | | | | | | | | | | | | | | | | | |
|-------------|---------------|-----|-----|-------|------|-----|-----|---|----------|-----|-----|-------|------|----|----|---|-----------|-----|-----|-----|------|-----|----|---|---|
| | LSES | | | | | | | | LSES FCR | | | | | | | | LSES FCPL | | | | | | | | |
| | AC | HJ | J | LB | LJ | I | II |  | AC | HJ | J | LB | LJ | I | II |  | AC | HJ | J | LB | LJ | I | II |  | |
| LSES 90 L | 190 | 135 | 86 | 272 | 53 | 43 | 43 | 15.2 | 190 | 156 | 160 | 331.5 | 48.5 | 55 | 55 | 24.2 | - | - | - | - | - | - | - | - | - |
| LSES 100 LR | 200 | 140 | 86 | 336.5 | 54 | 43 | 43 | 25.7 | 200 | 161 | 160 | 394.5 | 52 | 55 | 55 | 30 | - | - | - | - | - | - | - | - | - |
| LSES 112 MU | 235 | 149 | 86 | 353 | 55.5 | 43 | 43 | 35 | 235 | 169 | 160 | 421 | 51 | 55 | 55 | 44.5 | - | - | - | - | - | - | - | - | - |
| LSES 132 MU | 265 | 190 | 126 | 446 | 51 | 63 | 63 | 68 | 280 | 188 | 160 | 527 | 66.5 | 55 | 55 | 80 | - | - | - | - | - | - | - | - | - |
| LSES 160 L | 312 | 222 | 126 | 490 | 42.8 | 63 | 63 | 91 | 316 | 231 | 160 | 564 | 58 | 55 | 55 | 110 | 345 | 235 | 134 | 672 | 47.8 | 92 | 63 | 140 | |
| LSES 180 LR | 312 | 248 | 186 | 515 | 49.8 | 112 | 98 | 115 | - | - | - | - | - | - | - | - | 345 | 235 | 134 | 678 | 39 | 92 | 63 | 150 | |
| LSES 200 LR | 350 | 256 | 186 | 609 | 58.5 | 112 | 98 | 164 | - | - | - | - | - | - | - | - | 384 | 256 | 186 | 774 | 84.5 | 111 | 98 | 240 | |
| LSES 225 MR | 390 | 310 | 231 | 674 | 59.5 | 119 | 142 | 235 | - | - | - | - | - | - | - | - | 410 | 276 | 186 | 837 | 82 | 111 | 98 | 320 | |

| Fr. size | 4-pole motors | | | | | | | | | | | | | | | | | | | | | | | |
|-----------|---------------|-----|-----|-------|------|----|----|---|---------|-----|-----|-----|------|-----|----|---|-----|-----|-----|-----|------|-----|----|---|
| | LS FCR | | | | | | | | LS FCPL | | | | | | | | | | | | | | | |
| | AC | HJ | J | LB | LJ | I | II |  | AC | HJ | J | LB | LJ | I | II |  | AC | HJ | J | LB | LJ | I | II |  |
| LS 90 L | 190 | 156 | 160 | 331.5 | 48.5 | 55 | 55 | 24.2 | - | - | - | - | - | - | - | - | - | - | - | - | - | - | - | - |
| LS 100 L | 200 | 161 | 160 | 382 | 52 | 55 | 55 | 30 | - | - | - | - | - | - | - | - | - | - | - | - | - | - | - | - |
| LS 112 MG | 235 | 169 | 160 | 421 | 51 | 55 | 55 | 44.5 | - | - | - | - | - | - | - | - | - | - | - | - | - | - | - | - |
| LS 132 M | 280 | 188 | 160 | 527 | 66.5 | 55 | 55 | 80 | - | - | - | - | - | - | - | - | - | - | - | - | - | - | - | - |
| LS 160 L | 316 | 231 | 160 | 564 | 58 | 55 | 55 | 110 | 345 | 235 | 134 | 672 | 47.8 | 92 | 63 | 140 | 345 | 235 | 134 | 678 | 39 | 92 | 63 | 150 |
| LS 180 LR | - | - | - | - | - | - | - | - | 345 | 235 | 134 | 678 | 39 | 92 | 63 | 150 | 345 | 235 | 134 | 678 | 39 | 92 | 63 | 150 |
| LS 200 LT | - | - | - | - | - | - | - | - | 384 | 256 | 186 | 774 | 84.5 | 111 | 98 | 240 | 384 | 256 | 186 | 774 | 84.5 | 111 | 98 | 240 |
| LS 225 MR | - | - | - | - | - | - | - | - | 410 | 276 | 186 | 837 | 82 | 111 | 98 | 320 | 410 | 276 | 186 | 837 | 82 | 111 | 98 | 320 |

Electromechanical products

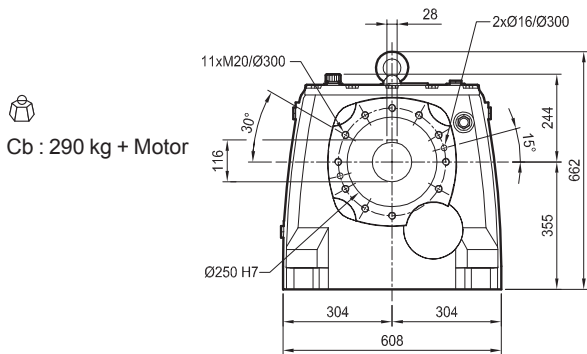
Compabloc 3000


Dimensions

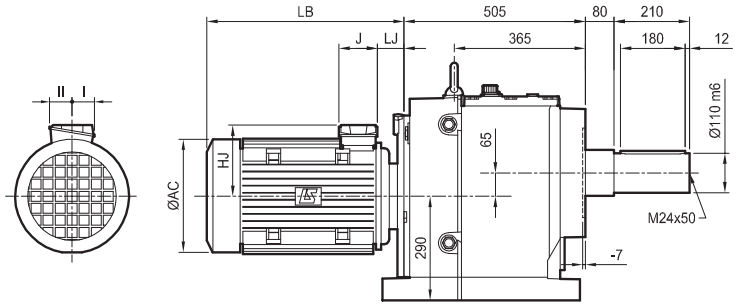
Dimensions of Compabloc (Cb) gearboxes, MI integral mounting,
Cb 3833

Dimensions in millimetres

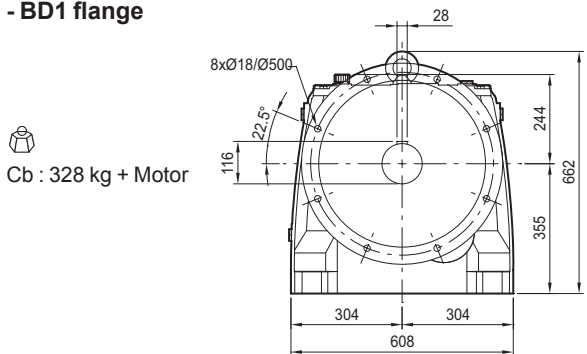
- BT faceplate form




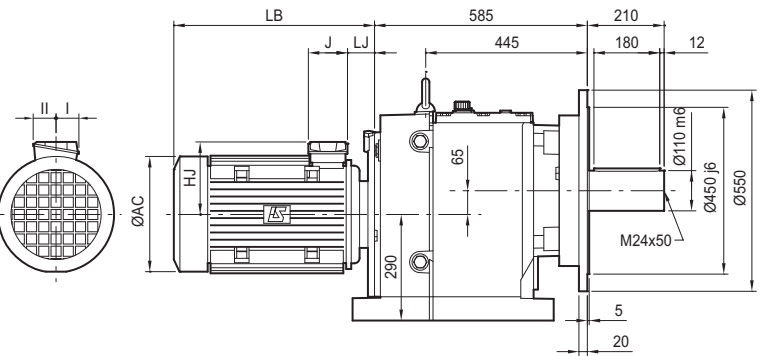
 Cb : 290 kg + Motor



- BD1 flange



 Cb : 328 kg + Motor



Electromechanical products

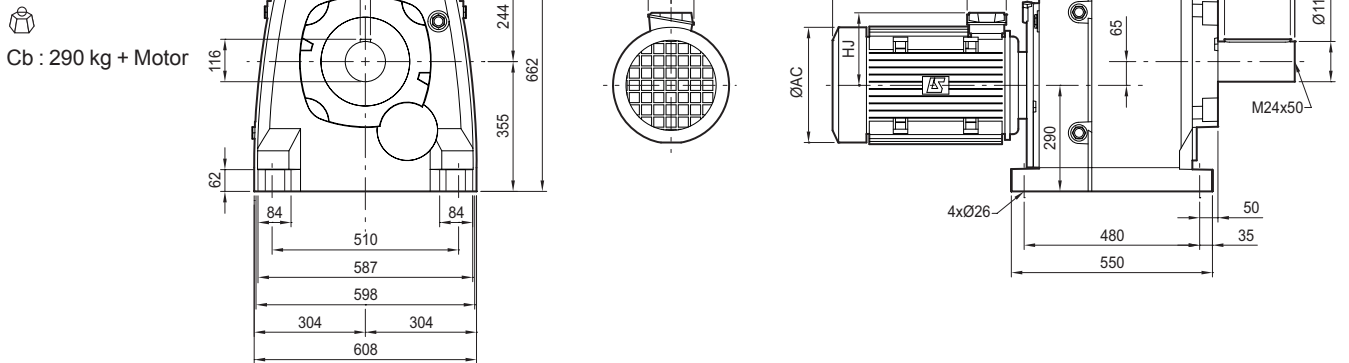
Compabloc 3000

Dimensions

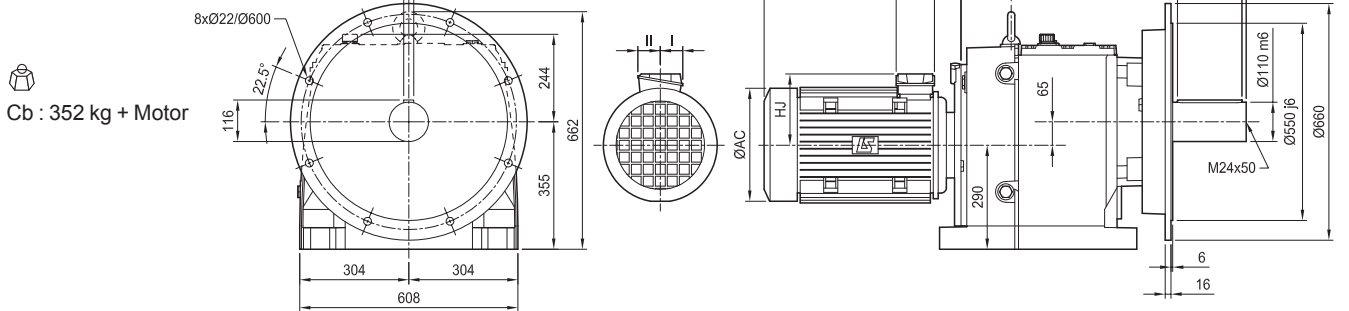
Dimensions of Compabloc (Cb) gearboxes, MI integral mounting,
Cb 3833

Dimensions in millimetres

- S foot mounted



- Standard BS flange



| Fr. size | LSES | | | | | | | | LSES FCR | | | | | | | | LSES FCPL | | | | | | | |
|-------------|------|-----|-----|-----|------|-----|-----|-----|----------|-----|-----|-----|------|----|----|-----|-----------|-----|-----|-----|------|-----|----|-----|
| | AC | HJ | J | LB | LJ | I | II | kg | AC | HJ | J | LB | LJ | I | II | kg | AC | HJ | J | LB | LJ | I | II | kg |
| LSES 132 MU | 265 | 190 | 126 | 433 | 38 | 63 | 63 | 68 | 280 | 186 | 160 | 514 | 53.5 | 55 | 55 | 80 | - | - | - | - | - | - | - | - |
| LSES 160 | 312 | 222 | 126 | 477 | 29.8 | 63 | 63 | 91 | 316 | 196 | 160 | 551 | 45 | 55 | 55 | 110 | 345 | 235 | 134 | 659 | 34.8 | 92 | 63 | 140 |
| LSES 180 LR | 312 | 248 | 186 | 502 | 36.8 | 112 | 98 | 115 | - | - | - | - | - | - | - | - | 345 | 235 | 134 | 665 | 26 | 92 | 63 | 150 |
| LSES 200 LR | 350 | 256 | 186 | 596 | 45.5 | 112 | 98 | 164 | - | - | - | - | - | - | - | - | 384 | 256 | 186 | 761 | 71.5 | 111 | 98 | 240 |
| LSES 225 MR | 390 | 310 | 231 | 661 | 46.5 | 119 | 142 | 235 | - | - | - | - | - | - | - | - | 410 | 276 | 186 | 824 | 69 | 111 | 98 | 320 |

| Fr. size | LS FCR | | | | | | | | LS FCPL | | | | | | | |
|-----------|--------|-----|-----|-----|------|----|----|-----|---------|-----|-----|-----|------|-----|----|-----|
| | AC | HJ | J | LB | LJ | I | II | kg | AC | HJ | J | LB | LJ | I | II | kg |
| LS 132 M | 280 | 186 | 160 | 514 | 53.5 | 55 | 55 | 80 | - | - | - | - | - | - | - | - |
| LS 160 L | 316 | 196 | 160 | 551 | 45 | 55 | 55 | 110 | 345 | 235 | 134 | 659 | 34.8 | 92 | 63 | 140 |
| LS 180 LR | - | - | - | - | - | - | - | - | 345 | 235 | 134 | 665 | 26 | 92 | 63 | 150 |
| LS 200 LT | - | - | - | - | - | - | - | - | 384 | 256 | 186 | 761 | 71.5 | 111 | 98 | 240 |
| LS 225 MR | - | - | - | - | - | - | - | - | 410 | 276 | 186 | 824 | 69 | 111 | 98 | 320 |

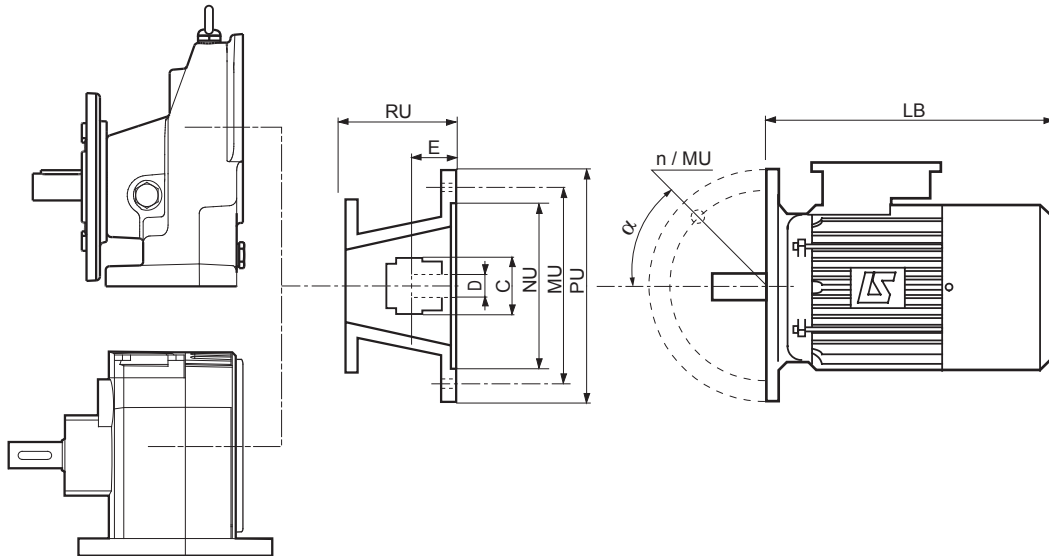
Electromechanical products

Compabloc 3000

Dimensions

Dimensions of Compabloc (Cb) gearboxes, MU universal mounting

Dimensions in millimetres



| Type | LS, LSES IM 3001 (IM B5) IEC | | | | | | | | | U-mounts | | | | | | | | | | | | | | | | | | |
|-------------------------|---------------------------------|-----|----------------------------------|--------------------|-------|------|------|---|------|----------|----|---------|-----------------|---------|-----------------|---------|-----------------|---------|-----|---------|-----|---------|-------|------------|-----|---------|-----|-----|
| | Ø D | E | LB ¹ /LB ² | LB FMC/FCR/FCPL | Ø MU | Ø NU | Ø PU | n | α° | Cb 15-- | | Cb 30-- | | Cb 31-- | | Cb 32-- | | Cb 33-- | | Cb 34-- | | Cb 35-- | | Cb 36/37-- | | Cb 38-- | | |
| | | | | | | | | | | Ø C | RU | Ø C | RU ³ | Ø C | RU ³ | Ø C | RU ³ | Ø C | RU | Ø C | RU | Ø C | RU | Ø C | RU | Ø C | RU | Ø C |
| LS56M | 9j6 | 20 | 156/134 | 206/-/- | FF100 | 80 | 120 | 4 | 45 | - | 50 | - | - | - | - | - | - | - | - | - | - | - | - | - | - | - | - | - |
| LS63M | 11j6 | 23 | 172/165 | 222/-/- | FF115 | 95 | 140 | 4 | 45 | - | 50 | - | 60/73 | - | - | - | - | - | - | - | - | - | - | - | - | - | - | - |
| LS71L | 14j6 | 30 | 183 | 233/271/- | FF130 | 110 | 160 | 4 | 45 | - | 50 | - | 60/73 | 65/- | 122/72 | 65/- | 122/72 | 65 | 122 | 65 | 122 | - | - | - | - | - | - | - |
| LSES80LG | 19j6 | 40 | 247 | -/292/- | FF165 | 130 | 200 | 4 | 45 | - | - | - | 90/73 | 65/- | 130/83 | 65/- | 130/83 | 65 | 130 | 65 | 130 | 65 | 121 | - | - | - | - | - |
| LSES90L | 24j6 | 50 | 265 | -/324/- | FF165 | 130 | 200 | 4 | 45 | - | - | - | - | 65/- | 130/83 | 65/- | 130/83 | 65 | 130 | 65 | 130 | 65 | 121 | - | - | - | - | - |
| LSES100LR | 28j6 | 60 | 309 | -/388/- | FF215 | 180 | 250 | 4 | 45 | - | - | - | - | 65/- | 144/92 | 65/- | 144/92 | 65 | 144 | 65 | 144 | 65 | 135 | 65 | 148 | 65 | 136 | - |
| LSES112 MU | 28j6 | 60 | 333 | -/425/- | FF215 | 180 | 250 | 4 | 45 | - | - | - | - | 65/- | 144/92 | 65/- | 144/92 | 65 | 144 | 65 | 144 | 65 | 135 | 65 | 148 | 65 | 136 | - |
| LSES132MU | 38k6 | 80 | 412 | -/532/- | FF265 | 230 | 300 | 4 | 45 | - | - | - | - | - | - | - | - | 65 | 162 | 65 | 169 | 65 | 157.5 | 65 | 167 | 65 | 156 | - |
| LSES160L | 42k6 | 110 | 495 | -/567/668 | FF300 | 250 | 350 | 4 | 45 | - | - | - | - | - | - | - | - | - | - | 95 | 194 | 95 | 183 | 95 | 199 | 95 | 187 | - |
| LSES180LR | 48k6 | 110 | 520 | -/683 | FF300 | 250 | 350 | 4 | 45 | - | - | - | - | - | - | - | - | - | - | 95 | 194 | 95 | 183 | 95 | 199 | 95 | 187 | - |
| LSES200LR | 55m6 | 110 | 620 | -/828 | FF350 | 300 | 400 | 4 | 45 | - | - | - | - | - | - | - | - | - | - | 95 | 194 | 95 | 183 | 95 | 199 | 95 | 187 | - |
| LSES225 ¹ MR | 60m6 | 140 | 676 | -/953 | FF400 | 350 | 450 | 8 | 22.5 | - | - | - | - | - | - | - | - | - | - | - | - | - | - | - | 120 | 311 | 120 | 233 |
| LSES250 ¹ ME | 65m6 | 140 | 810 | -/1180 | FF500 | 450 | 550 | 8 | 22.5 | - | - | - | - | - | - | - | - | - | - | - | - | - | - | - | 120 | 328 | 160 | 316 |
| LSES280 ¹ MD | 75m6 | 140 | 870 | -/1246 | FF500 | 450 | 550 | 8 | 22.5 | - | - | - | - | - | - | - | - | - | - | - | - | - | - | - | 120 | 328 | 160 | 316 |
| LSES315 ¹ SP | 80m6 | 170 | 947 | -/NC ² | FF600 | 550 | 660 | 8 | 22.5 | - | - | - | - | - | - | - | - | - | - | - | - | - | - | - | - | - | 200 | 366 |

LB¹: ventilated motor - LB²: non-ventilated motor

1. Horizontally mounted foot and flange mounted motors (B35). Provision of a motor support is recommended.

2. NC: consult Leroy-Somer

3. RU: MU / MU new 2012

| | Cb | | | | | | | | | |
|-------------|------|------|------|------|------|------|------|------|------|------|
| | 15-- | 30-- | 31-- | 32-- | 33-- | 34-- | 35-- | 36-- | 37-- | 38-- |
| MU max (kg) | 0.6 | 3 | 4 | 8 | 14 | 20 | 35 | 75 | 75 | 117 |
| LS max (kg) | 10 | 30 | 65 | 70 | 120 | 150 | 205 | 350 | 350 | 350 |

Electromechanical products

Compabloc 3000

Notes

Electromechanical products

Compabloc 3000

Notes

International network

www.leroy-somer.com

ALGERIA
MOTEURS LEROY-SOMER
INTERNATIONAL DIVISION (FRANCE)

AUSTRALIA
LEROY-SOMER PTY LTD

AUSTRIA
LEROY-SOMER MARBAISE GMBH (GERMANY)

BELGIUM
LEROY-SOMER SA

BRAZIL
LEROY-SOMER DIVISION
EMERSON ELECTRIC DO BRASIL LTDA.

CANADA
LEROY-SOMER / CIM

CHINA
EMERSON TRADING (SHANGHAI) CO LTD

CZECH REPUBLIC
M.L.S. HOLICE SPOL SRO

DENMARK
LEROY SOMER DANMARK A/S

EGYPT
MOTEURS LEROY-SOMER
INTERNATIONAL DIVISION (FRANCE)

FRANCE
MOTEURS LEROY-SOMER

GERMANY
LEROY SOMER MARBAISE GMBH

GREECE
LEROY SOMER LTD

HUNGARY
IMI kft

INDIA
LEROY-SOMER DIVISION
EMERSON ELECTRIC CO

ITALY
LEROY SOMER SPA

JAPAN
LEROY-SOMER DIVISION
EMERSON JAPAN LTD

KOREA
LEROY-SOMER DIVISION
EMERSON ELECTRIC (KOREA) LTD

NETHERLANDS
LEROY-SOMER BV

POLAND
FZN MARBAISE LS SP ZOO

ROMANIA
LEROY-SOMER DIVISION
EMERSON SRL

RUSSIA
LEROY-SOMER DIVISION
EMERSON LLC

SINGAPORE
LEROY-SOMER SOUTHEAST ASIA PTE LTD

SOUTH AFRICA
LEROY SOMER PTY LTD

SPAIN
LEROY SOMER IBERICA S.A.

SWEDEN
LEROY-SOMER NORDEN AB

SWITZERLAND
LEROY-SOMER SA

TAIWAN
MOTEURS LEROY-SOMER (FRANCE)
LIAISON OFFICE - C/O EMERSON (TAIWAN) CO LTD

THAILAND
LEROY-SOMER DIVISION
EMERSON (THAILAND) LTD

TURKEY
LEROY-SOMER ELEKTROMEKANIK SISTEMLER
TICARET LTD STI

U.A.E.
LEROY-SOMER DIVISION
EMERSON FZE

UNITED KINGDOM
LEROY SOMER LTD

USA
LEROY-SOMER POWER AND DRIVES
EMERSON ELECTRIC CO

VENEZUELA
LEROY-SOMER DIVISION
EMERSON VENEZUELA CA



**LERROY
SOMER**

EMERSON
Industrial Automation

Leroy-Somer reserves the right to modify the characteristics of its products at any time in order to incorporate the latest technological developments.
The information contained in this document may therefore be changed without prior notice.